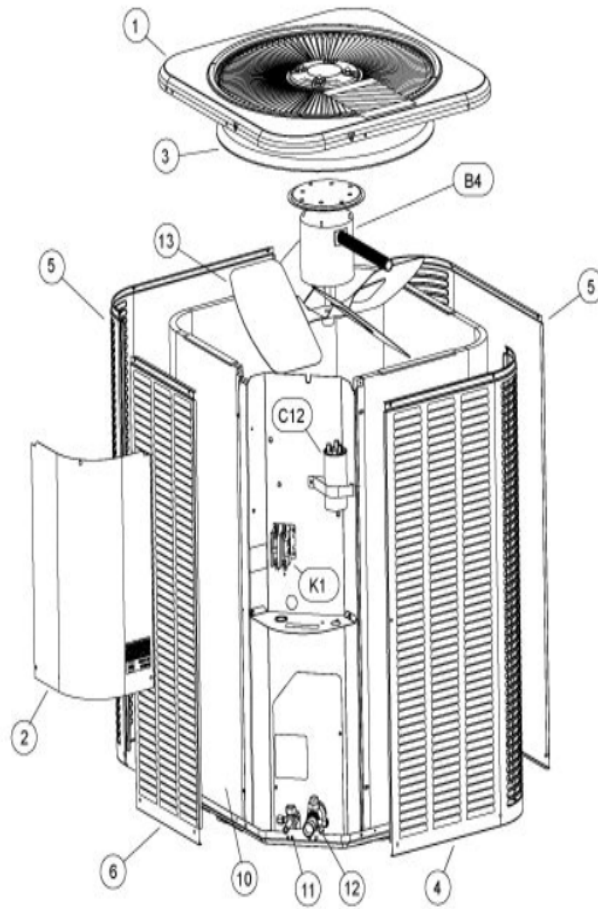


COOLING-CONDENSING
JANUARY, 2010

14ACX W/LOUVERED PANELS



Revision Number - 15

*OPTIONAL PARTS-FIELD INSTALLED

Callout	Name	Quantity	Description
	SWITCH-PRESS Cat #: 84M96 Model/Part #: 100216-01	1	"IN 55+5PSIG,OUT 25+5PSIG"
	SEAL CAP Cat #: 95M45 Model/Part #: 100275-01	1	1/4 INCH FLARE SEAL CAP
	CAPACITOR-START Cat #: 63A06 Model/Part #: 63A0601	1	"176-216 MFD, 320 VAC"
	TEE Cat #: 87071 Model/Part #: P-8-10569	1	VALVE DEPRESSOR TEE
	RELAY-POTENTIAL Cat #: 58327 Model/Part #: P-8-3577	1	SPNC
LC KIT	LOSS OF CHARGE KIT Cat #: 84M23 Model/Part #: LB-110135A	1	INC NEXT 3 PARTS
ST KIT	START KIT Cat #: 88M91 Model/Part #: LB-31200BAR	1	INC NEXT 2 PARTS

CABINET PARTS

Callout	Name	Quantity	Description
	NUT-CAP Cat #: 85M56 Model/Part #: 100094-01	4	TOP PANEL
	PLATE-PATCH Cat #: 82W46 Model/Part #: 103256-01	1	PLATE-PATCH
	COVER Cat #: 69J03 Model/Part #: 69J0301	1	SOUND-COMPRESSOR (OPTIONAL)
	LEG Cat #: 94J45 Model/Part #: LB-87156A	1	BASE(SET OF 4)
1	PANEL-TOP 28 X 28 Cat #: 92W52 Model/Part #: 102875-01	1	PANEL-TOP 28 X 28
2	COVER-CONTROL BOX	1	COVER - CONTROL

Callout	Name	Quantity	Description
	Cat #: 49W75 Model/Part #: 102072-01		PANEL
3	ORIFICE Cat #: 98M16 Model/Part #: 100001-01	1	"22"'"
4	PANEL - LOUVER (RIGHT) Cat #: 64W99 Model/Part #: 603156-04	1	RIGHT
5	PANEL - LOUVER (CENTER) Cat #: 65W04 Model/Part #: 603157-04	2	CENTER
6	PANEL - LOUVER (LEFT) Cat #: 65W09 Model/Part #: 603158-04	1	LEFT

CONTROL PANEL PARTS

Callout	Name	Quantity	Description
C12	CAPACITOR-FAN MTR Cat #: 89M77 Model/Part #: 100335-09	1	"40+5MFD,440VAC"
K1	CONTACTOR Cat #: 95M55 Model/Part #: 100438-01	1	"SPST,24V"

COOLING PARTS

Callout	Name	Quantity	Description
	CORE-VALVE Cat #: 95M48 Model/Part #: 100210-01	1	CORE - VALVE
	DRIER Cat #: 95M52 Model/Part #: 100214-03	1	LIQUID LINE(FOOTNOTE 1)
	KIT-RFC Cat #: 10W99 Model/Part #: 100484-15	1	RFC (.065)
	FITTING-PRESS TAP Cat #: 95M47 Model/Part #: 100520-01	1	PRESSURE TAP
	HARNESS-COMP (REPAIR) Cat #: 44W62 Model/Part #: 102111-01	1	HARNESS -COMP (REPAIR)
	COVER Cat #: 75W44 Model/Part #: 103048-02	1	COVER THERMAL SWITCH ASSY (REPAIR)

Callout	Name	Quantity	Description
	DRIER Cat #: 88K44 Model/Part #: 88K4401	1	SUCTION LINE (OPTIONAL)
	MOUNT PKG-COMP Cat #: 54M63 Model/Part #: LB-106528	1	MOUNT PKG-COMP
10	COIL-OUTDOOR Cat #: 36W54 Model/Part #: LB-87170DP	1	W/MANIFOLD
11	VALVE-SERVICE Cat #: 10W32 Model/Part #: 100432-01	1	"LIQUID-LINE,3/8""
12	VALVE-SERVICE Cat #: 10W33 Model/Part #: 100432-02	1	"SUCTION LINE,3/4""
13	FAN Cat #: 43W37 Model/Part #: 100060-23	1	"1/2""BORE,22""DIA,3 BLADE"
B1	COMPRESSOR APA024KAA Cat #: 92W82 Model/Part #: 101995-11	1	APA024KAA (InterLink) W/HARNESS
B4	MOTOR-FAN Cat #: 92W51 Model/Part #: 100483-33	1	"1/6HP,825RPM,208- 230/60/1"
HR1	HEATER-CRANKCASE Cat #: 93M04 Model/Part #: 100499-01	1	"40 WATT, 240 VOLT (OPTIONAL)"
S173	SWITCH-THERMAL Cat #: 75W43 Model/Part #: 103048-01	1	SWITCH THERMAL ASSY (REPAIR)
S4	SWITCH-HI PRESS-AUTO Cat #: 93W01 Model/Part #: 100087-12	1	CUTOUT 590 PSIG

COPELAND ALTERNATE FOR INTERLINK COMP.

Callout	Name	Quantity	Description
	COMPRESSOR ZP24K5E-PFV Cat #: 27W16 Model/Part #: 100040-03	1	COMPRESSOR ZP24K5E-PFV-130
	HARNESS-COMPRESSOR Cat #: 15M35 Model/Part #: 15M3501	1	HARNESS-MOLDED PLUG 1PH

Note:

Note1: Compressor uses POE oil. The filter drier MUST BE replaced at time of compressor change. Please advise customer of this requirement at time of order. (The filter drier is excluded from the Lennox Quality Care Limited Warranty).