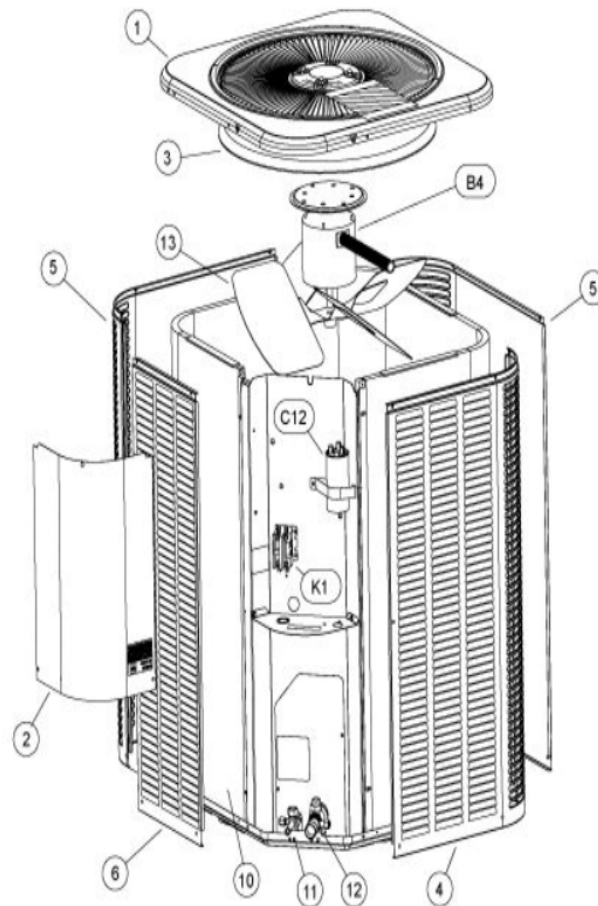


COOLING-CONDENSING
JANUARY, 2010

13ACX W/LOUVERED PANELS



Revision Number - 18

*OPTIONAL PARTS-FIELD INSTALLED

| Callout | Name | Quantity | Description |
|---------|---|----------|----------------------------|
| | SWITCH-PRESS Cat #: 84M96 Model/Part #: 100216-01 | 1 | "IN 55+5PSIG,OUT 25+5PSIG" |
| | CAPACITOR-START Cat #: 63A06 Model/Part #: 63A0601 | 1 | "176-216 MFD, 320 VAC" |
| | RELAY-POTENTIAL Cat #: 58327 Model/Part #: P-8-3577 | 1 | SPNC |
| LC KIT | LOSS OF CHARGE KIT Cat #: 84M23 Model/Part #: LB-110135A | 1 | INC NEXT PART |
| ST KIT | START KIT Cat #: 88M91 Model/Part #: LB-31200BAR | 1 | INC NEXT 2 PARTS |

CABINET PARTS

| Callout | Name | Quantity | Description |
|---------|--|----------|-----------------------------|
| | NUT-CAP Cat #: 85M56 Model/Part #: 100094-01 | 4 | TOP PANEL |
| | COVER Cat #: 69J03 Model/Part #: 69J0301 | 1 | SOUND-COMPRESSOR (OPTIONAL) |
| | LEG Cat #: 94J45 Model/Part #: LB-87156A | 1 | BASE(SET OF 4) |
| 1 | PANEL-TOP 28 X 28 Cat #: 92W52 Model/Part #: 102875-01 | 1 | PANEL-TOP 28 X 28 |
| 2 | COVER-CONTROL BOX Cat #: 49W75 Model/Part #: 102072-01 | 1 | COVER - CONTROL PANEL |
| 3 | ORIFICE Cat #: 98M16 Model/Part #: 100001-01 | 1 | "22"" |
| 4 | PANEL - LOUVER (RIGHT) Cat #: 64W98 Model/Part #: 603156-03 | 1 | RIGHT |
| 5 | PANEL - LOUVER (CENTER) | 2 | CENTER |

| Callout | Name | Quantity | Description |
|---------|---|----------|-------------|
| | Cat #: 65W03 Model/Part #: 603157-03 | | |
| 6 | PANEL - LOUVER (LEFT) Cat #: 65W08 Model/Part #: 603158-03 | 1 | LEFT |

CONTROL PANEL PARTS

| Callout | Name | Quantity | Description |
|---------|--|----------|-------------------|
| C12 | CAPACITOR-DUAL Cat #: 89M90 Model/Part #: 100335-22 | 1 | "70+10MFD,370VAC" |
| K1 | CONTACTOR Cat #: 95M56 Model/Part #: 100438-02 | 1 | "SPST,24V" |

COOLING PARTS

| Callout | Name | Quantity | Description |
|---------|--|----------|-------------------------|
| | RELAY-OVERLOAD COMP-INTERNAL Cat #: Model/Part #: | 1 | |
| | CORE-VALVE Cat #: 95M48 Model/Part #: 100210-01 | 1 | CORE - VALVE |
| | DRIER Cat #: 95M52 Model/Part #: 100214-03 | 1 | LIQUID LINE(FOOTNOTE 1) |
| | KIT-PISTON Cat #: 97M79 Model/Part #: 100484-30 | 1 | RFC (.082) |
| | FITTING-PRESS TAP Cat #: 95M47 Model/Part #: 100520-01 | 1 | PRESSURE TAP |
| | MOUNT PKG-COMP Cat #: 54M63 Model/Part #: 15J1301PR | 1 | MOUNT PKG-COMP |
| | HARNESS-COMPRESSOR Cat #: 15M35 Model/Part #: 15M3501 | 1 | MOLDED PLUG |
| | DRIER Cat #: 88K45 Model/Part #: 88K4501 | 1 | SUCTION LINE (OPTIONAL) |
| 10 | ASSY-REPAIR PART (COIL) Cat #: 79E01 Model/Part #: LB-87170EF | 1 | ASSY-REPAIR PART (COIL) |

| Callout | Name | Quantity | Description |
|---------|--|----------|--|
| 11 | VALVE-SERVICE Cat #: 10W32 Model/Part #: 100432-01 | 1 | "LIQUID-LINE,3/8"" |
| 12 | VALVE-SERVICE Cat #: 22W71 Model/Part #: 100432-03 | 1 | VALVE SERVICE 7/8 |
| 13 | FAN Cat #: 30W24 Model/Part #: 100060-21 | 1 | "1/2""BORE,22""DIA,4 BLADE" |
| B1 | COMPRESSOR ZP42K5E-PFV Cat #: 97M57 Model/Part #: 100040-10 | 1 | "3.5 TON,208- 230/60/1,COPE(FOOTNOTE 1)" |
| B4 | MOTOR-FAN Cat #: 92W75 Model/Part #: 100483-34 | 1 | "1/4HP,825RPM,208- 230/60/1" |
| HR1 | HEATER-CRANKCASE Cat #: 93M05 Model/Part #: 100499-02 | 1 | "40 WATT, 240 VOLT (OPTIONAL)" |
| S4 | SWITCH-HI PRESS-AUTO Cat #: 93W01 Model/Part #: 100087-12 | 1 | CUTOUT 590 PSIG |

INTERLINK ALTERNATE FOR COPELAND COMP.

| Callout | Name | Quantity | Description |
|---------|---|----------|--|
| | COMPRESSOR ABA042KAA Cat #: 52W11 Model/Part #: 101995-06 | 1 | COMPRESSOR ABA042KAA W/HARNESS |
| | HARNESS-COMP (REPAIR) Cat #: 44W62 Model/Part #: 102111-01 | 1 | HARNESS -WIRE (REPAIR) |
| | SWITCH-THERMAL Cat #: 75W43 Model/Part #: 103048-01 | 1 | THERMAL SWITCH ASSEMBLY (REPAIR) |
| | COVER Cat #: 75W44 Model/Part #: 103048-02 | 1 | THERMAL SWITCH COVER ASSEMBLY (REPAIR) |

Note:

Note 1: Compressor uses POE oil. The filter drier MUST BE replaced at time of compressor change. Please advise customer of this requirement at time of order. (The filter drier is excluded from the Lennox Quality Care Limited Warranty).