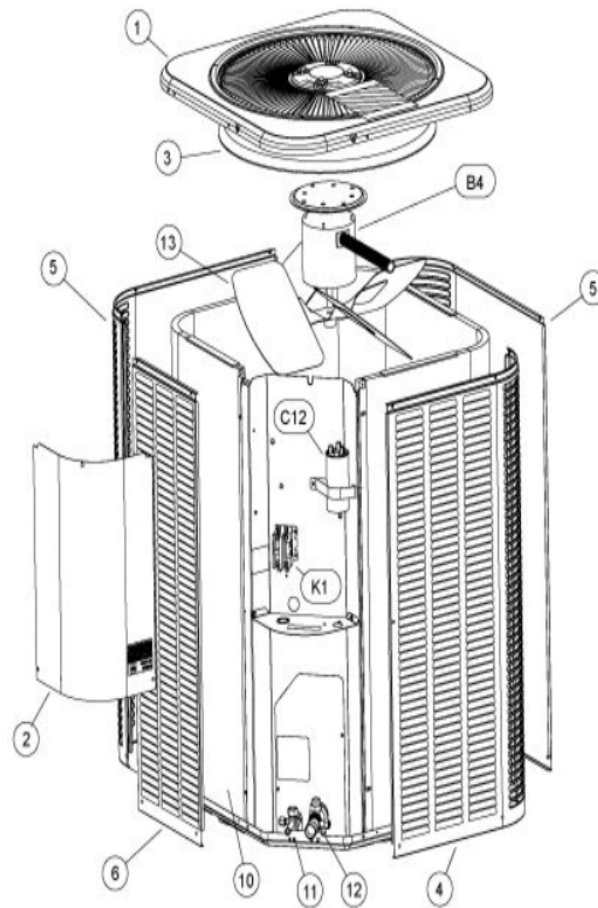


COOLING-CONDENSING  
JANUARY, 2010

### 13ACX W/LOUVERED PANELS



Revision Number - 17

## \*OPTIONAL PARTS-FIELD INSTALLED

| Callout | Name                                                        | Quantity | Description                |
|---------|-------------------------------------------------------------|----------|----------------------------|
|         | SWITCH-PRESS<br>Cat #: 84M96 Model/Part #: 100216-01        | 1        | "IN 55+5PSIG,OUT 25+5PSIG" |
|         | CAPACITOR-START<br>Cat #: 63A06 Model/Part #: 63A0601       | 1        | "176-216 MFD, 320 VAC"     |
|         | RELAY-POTENTIAL<br>Cat #: 58327 Model/Part #: P-8-3577      | 1        | RELAY - POTENTIAL          |
| LC KIT  | LOSS OF CHARGE KIT<br>Cat #: 84M23 Model/Part #: LB-110135A | 1        | INC NEXT PART              |
| ST KIT  | START KIT<br>Cat #: 88M91 Model/Part #: LB-31200BAR         | 1        | INC NEXT 2 PARTS           |

## CABINET PARTS

| Callout | Name                                                      | Quantity | Description                 |
|---------|-----------------------------------------------------------|----------|-----------------------------|
|         | NUT-CAP<br>Cat #: 85M56 Model/Part #: 100094-01           | 4        | TOP PANEL                   |
|         | PLATE-PATCH<br>Cat #: 82W46 Model/Part #: 103256-01       | 1        | PLATE-PATCH                 |
|         | COVER<br>Cat #: 69J03 Model/Part #: 69J0301               | 1        | SOUND-COMPRESSOR (OPTIONAL) |
|         | LEG<br>Cat #: 94J45 Model/Part #: LB-87156A               | 1        | BASE(SET OF 4)              |
| 1       | PANEL-TOP 28 X 28<br>Cat #: 92W52 Model/Part #: 102875-01 | 1        | PANEL-TOP 28 X 28           |
| 2       | COVER-CONTROL BOX<br>Cat #: 49W75 Model/Part #: 102072-01 | 1        | COVER - CONTROL PANEL       |
| 3       | ORIFICE<br>Cat #: 98M16 Model/Part #: 100001-01           | 1        | "22" ""                     |
| 4       | PANEL - LOUVER (RIGHT)                                    | 1        | RIGHT                       |

| Callout | Name                                                            | Quantity | Description |
|---------|-----------------------------------------------------------------|----------|-------------|
|         | Cat #: 64W98 Model/Part #: 603156-03                            |          |             |
| 5       | PANEL - LOUVER (CENTER)<br>Cat #: 65W03 Model/Part #: 603157-03 | 2        | CENTER      |
| 6       | PANEL - LOUVER (LEFT)<br>Cat #: 65W08 Model/Part #: 603158-03   | 1        | LEFT        |

## CONTROL PANEL PARTS

| Callout | Name                                                   | Quantity | Description       |
|---------|--------------------------------------------------------|----------|-------------------|
| C12     | CAPACITOR-DUAL<br>Cat #: 89M90 Model/Part #: 100335-22 | 1        | "70+10MFD,370VAC" |
| K1      | CONTACTOR<br>Cat #: 95M56 Model/Part #: 100438-02      | 1        | "SPST,24V"        |

## COOLING PARTS

| Callout | Name                                                          | Quantity | Description                                  |
|---------|---------------------------------------------------------------|----------|----------------------------------------------|
|         | CORE-VALVE<br>Cat #: 95M48 Model/Part #: 100210-01            | 1        | CORE - VALVE                                 |
|         | DRIER<br>Cat #: 95M52 Model/Part #: 100214-03                 | 1        | LIQUID<br>LINE(FOOTNOTE 1)                   |
|         | KIT-PISTON<br>Cat #: 97M79 Model/Part #: 100484-30            | 1        | RFC (.082)                                   |
|         | FITTING-PRESS TAP<br>Cat #: 95M47 Model/Part #: 100520-01     | 1        | PRESSURE TAP                                 |
|         | HARNESS-COMP (REPAIR)<br>Cat #: 44W62 Model/Part #: 102111-01 | 1        | MOLDED PLUG                                  |
|         | COVER<br>Cat #: 75W44 Model/Part #: 103048-02                 | 1        | THERMAL SWITCH<br>COVER ASSEMBLY<br>(REPAIR) |
|         | MOUNT PKG-COMP<br>Cat #: 54M63 Model/Part #: 15J1301PR        | 1        | MOUNT PKG-COMP                               |
|         | DRIER<br>Cat #: 88K45 Model/Part #: 88K4501                   | 1        | SUCTION LINE<br>(OPTIONAL)                   |

| <b>Callout</b> | <b>Name</b>                                                      | <b>Quantity</b> | <b>Description</b>                |
|----------------|------------------------------------------------------------------|-----------------|-----------------------------------|
| 10             | ASSY-REPAIR PART (COIL)<br>Cat #: 79E01 Model/Part #: LB-87170EF | 1               | ASSY-REPAIR PART (COIL)           |
| 11             | VALVE-SERVICE<br>Cat #: 10W32 Model/Part #: 100432-01            | 1               | "LIQUID-LINE,3/8""                |
| 12             | VALVE-SERVICE<br>Cat #: 22W71 Model/Part #: 100432-03            | 1               | "SUCTION LINE,7/8""               |
| 13             | FAN<br>Cat #: 30W24 Model/Part #: 100060-21                      | 1               | "1/2""BORE,22""DIA,4 BLADE"       |
| B1             | COMPRESSOR ABA042KAA<br>Cat #: 81W08 Model/Part #: 101995-18     | 1               | COMPRESSOR ABA042KAA (FOOTNOTE 1) |
| B4             | MOTOR-FAN<br>Cat #: 49W86 Model/Part #: 100483-24                | 1               | MOTOR-FAN 1/4 HP 208-230V 60HZ    |
| HR1            | HEATER-CRANKCASE<br>Cat #: 93M05 Model/Part #: 100499-02         | 1               | "40 WATT, 240 VOLT (OPTIONAL)"    |
| S173           | SWITCH-THERMAL<br>Cat #: 75W43 Model/Part #: 103048-01           | 1               | THERMAL SWITCH ASSEMBLY (REPAIR)  |
| S4             | SWITCH-HI PRESS-AUTO<br>Cat #: 93W01 Model/Part #: 100087-12     | 1               | CUTOFF 590 PSIG                   |

### **COPELAND ALTERNATE FOR INTERLINK COMP.**

| <b>Callout</b> | <b>Name</b>                                                    | <b>Quantity</b> | <b>Description</b>               |
|----------------|----------------------------------------------------------------|-----------------|----------------------------------|
|                | COMPRESSOR ZP42K5E-PFV<br>Cat #: 97M57 Model/Part #: 100040-10 | 1               | COMPRESSOR ZP42K5E-PFV L/HARNESS |
|                | HARNESS-COMPRESSOR<br>Cat #: 15M35 Model/Part #: 15M3501       | 1               | 15M3501 HARNESS-MOLDED PLUG 1PH  |

**Note:**

Note 1: Compressor uses POE oil. The filter drier MUST BE replaced at time of compressor change. Please advise customer of this requirement at time of order. (The filter drier is excluded from the Lennox Quality Care Limited Warranty).