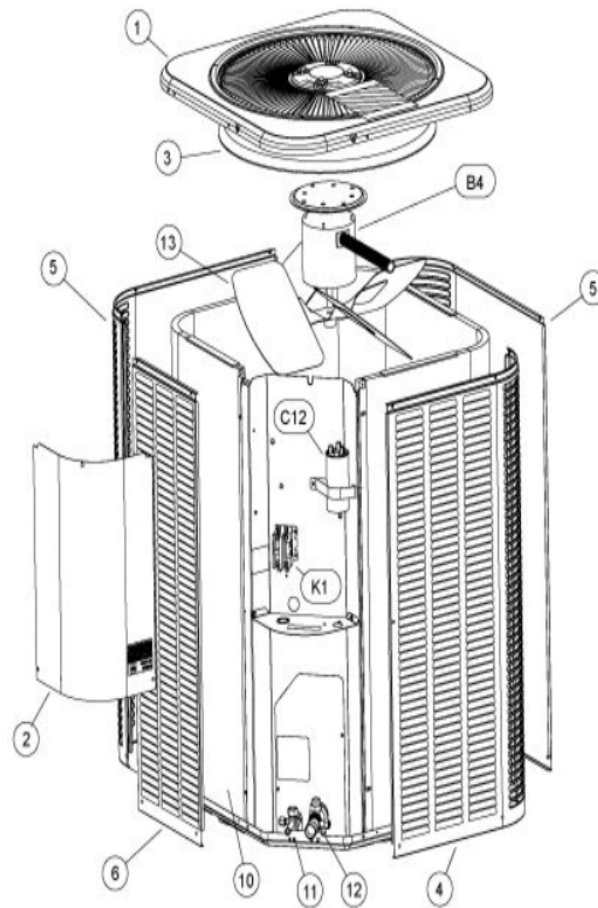


COOLING-CONDENSING
JANUARY, 2010

13ACX W/LOUVERED PANELS



Revision Number - 12

*OPTIONAL PARTS-FIELD INSTALLED

Callout	Name	Quantity	Description
	SWITCH-PRESS Cat #: 84M96 Model/Part #: 100216-01	1	"IN 55+5PSIG,OUT 25+5PSIG"
	CAPACITOR-START Cat #: 63A06 Model/Part #: 63A0601	1	"176-216 MFD, 320 VAC"
	RELAY-POTENTIAL Cat #: 58327 Model/Part #: P-8-3577	1	SPNC
LC KIT	LOSS OF CHARGE KIT Cat #: 84M23 Model/Part #: LB-110135A	1	INC NEXT PART
ST KIT	START KIT Cat #: 88M91 Model/Part #: LB-31200BAR	1	INC NEXT 2 PARTS

CABINET PARTS

Callout	Name	Quantity	Description
	NUT-CAP Cat #: 85M56 Model/Part #: 100094-01	4	TOP PANEL
	COVER Cat #: 69J03 Model/Part #: 69J0301	1	SOUND-COMPRESSOR (OPTIONAL)
	LEG Cat #: 94J45 Model/Part #: LB-87156A	1	BASE(SET OF 4)
1	PANEL-TOP 28 X 28 Cat #: 65W88 Model/Part #: 102419-01	1	PANEL-TOP 28 X 28
2	COVER-CONTROL BOX Cat #: 49W75 Model/Part #: 102072-01	1	COVER - CONTROL PANEL
3	ORIFICE Cat #: 98M16 Model/Part #: 100001-01	1	"22"'"
4	PANEL - LOUVER (RIGHT) Cat #: 64W99 Model/Part #: 603156-04	1	RIGHT
5	PANEL - LOUVER (CENTER)	2	CENTER

Callout	Name	Quantity	Description
	Cat #: 65W04 Model/Part #: 603157-04		
6	PANEL - LOUVER (LEFT) Cat #: 65W09 Model/Part #: 603158-04	1	LEFT

CONTROL PANEL PARTS

Callout	Name	Quantity	Description
C12	CAPACITOR-DUAL Cat #: 89M90 Model/Part #: 100335-22	1	"70+10MFD,370VAC"
K1	CONTACTOR Cat #: 95M56 Model/Part #: 100438-02	1	"SPST,24V"

COOLING PARTS

Callout	Name	Quantity	Description
	RELAY-OVERLOAD COMP-INTERNAL Cat #: Model/Part #:	1	
	CORE-VALVE Cat #: 95M48 Model/Part #: 100210-01	1	CORE - VALVE
	DRIER Cat #: 95M52 Model/Part #: 100214-03	1	LIQUID LINE(FOOTNOTE 1)
	KIT-PISTON Cat #: 97M79 Model/Part #: 100484-30	1	RFC (.082)
	FITTING-PRESS TAP Cat #: 95M47 Model/Part #: 100520-01	1	PRESSURE TAP
	MOUNT PKG-COMP Cat #: 54M63 Model/Part #: 15J1301PR	1	MOUNT PKG-COMP
	HARNESS-COMPRESSOR Cat #: 15M35 Model/Part #: 15M3501	1	MOLDED PLUG
	DRIER Cat #: 88K45 Model/Part #: 88K4501	1	SUCTION LINE (OPTIONAL)
10	COIL-OUTDOOR Cat #: 60W12 Model/Part #: 604750-16	1	W/MANIFOLD

Callout	Name	Quantity	Description
11	VALVE-SERVICE Cat #: 10W32 Model/Part #: 100432-01	1	"LIQUID-LINE,3/8""
12	VALVE-SERVICE Cat #: 31W73 Model/Part #: 100609-02	1	"SUCTION LINE,7/8""
13	FAN Cat #: 30W24 Model/Part #: 100060-21	1	"1/2""BORE,22""DIA,4 BLADE"
B1	COMPRESSOR ZP42K5E-PFV Cat #: 97M57 Model/Part #: 100040-10	1	"3.5 TON,208- 230/60/1,COPE(FOOTNOTE 1)"
B4	MOTOR-FAN Cat #: 49W86 Model/Part #: 100483-24	1	"1/4HP,825RPM,208- 230/60/1"
HR1	HEATER-CRANKCASE Cat #: 93M05 Model/Part #: 100499-02	1	"40 WATT, 240 VOLT (OPTIONAL)"
S4	SWITCH-HI PRESS-MANUAL Cat #: 42W41 Model/Part #: 100103-03	1	CUTOUT 590 PSIG

INTERLINK ALTERNATE FOR COPELAND COMP.

Callout	Name	Quantity	Description
	COMPRESSOR ABA042KAA Cat #: 52W11 Model/Part #: 101995-06	1	COMPRESSOR ABA042KAA W/HARNESS
	HARNESS-COMP (REPAIR) Cat #: 44W62 Model/Part #: 102111-01	1	HARNESS -WIRE (REPAIR)
	SWITCH-THERMAL Cat #: 75W43 Model/Part #: 103048-01	1	THERMAL SWITCH ASSEMBLY (REPAIR)
	COVER Cat #: 75W44 Model/Part #: 103048-02	1	THERMAL SWITCH COVER ASSEMBLY (REPAIR)

Note:

Note 1: Compressor uses POE oil. The filter drier MUST BE replaced at time of compressor change. Please advise customer of this requirement at time of order. (The filter drier is excluded from the Lennox Quality Care Limited Warranty).