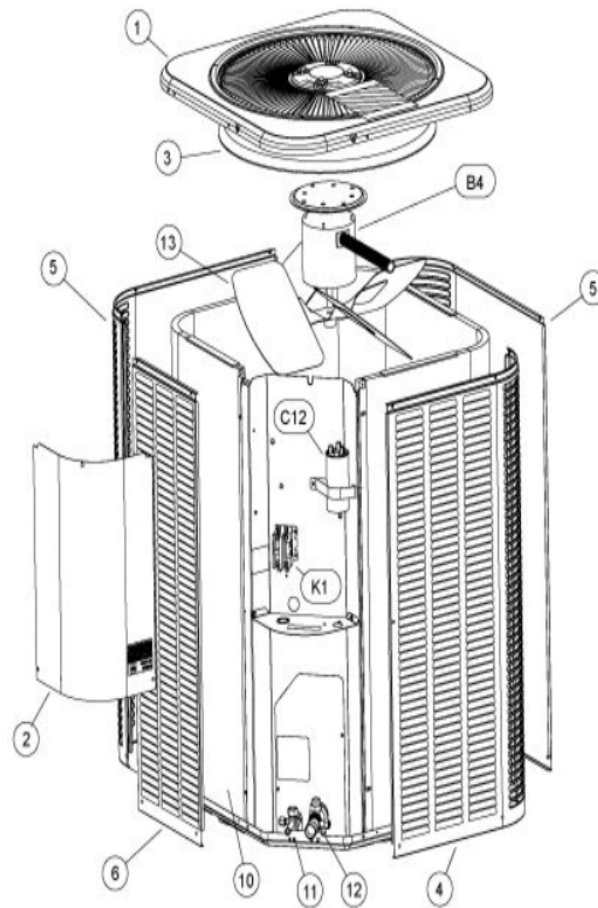


COOLING-CONDENSING
JANUARY, 2010

13ACX W/LOUVERED PANELS



Revision Number - 16

*OPTIONAL PARTS-FIELD INSTALLED

Callout	Name	Quantity	Description
	SWITCH-PRESS Cat #: 84M96 Model/Part #: 100216-01	1	"IN 55+5PSIG,OUT 25+5PSIG"
	CAPACITOR-START Cat #: 63A06 Model/Part #: 63A0601	1	"176-216 MFD, 320 VAC"
	RELAY-POTENTIAL Cat #: 58327 Model/Part #: P-8-3577	1	SPNC
LC KIT	LOSS OF CHARGE KIT Cat #: 84M23 Model/Part #: LB-110135A	1	INC NEXT PART
ST KIT	START KIT Cat #: 88M91 Model/Part #: LB-31200BAR	1	INC NEXT 2 PARTS

CABINET PARTS

Callout	Name	Quantity	Description
	NUT-CAP Cat #: 85M56 Model/Part #: 100094-01	4	TOP PANEL
	COVER Cat #: 69J03 Model/Part #: 69J0301	1	SOUND-COMPRESSOR (OPTIONAL)
	LEG Cat #: 94J45 Model/Part #: LB-87156A	1	BASE(SET OF 4)
1	PANEL-TOP 28 X 28 Cat #: 92W52 Model/Part #: 102875-01	1	PANEL-TOP 28 X 28
2	COVER-CONTROL BOX Cat #: 49W76 Model/Part #: 102073-01	1	COVER - CONTROL PANEL
3	ORIFICE Cat #: 98M16 Model/Part #: 100001-01	1	"22""
4	PANEL - LOUVER (RIGHT) Cat #: 64W97 Model/Part #: 603156-02	1	RIGHT
5	PANEL - LOUVER (CENTER)	2	CENTER

Callout	Name	Quantity	Description
	Cat #: 65W02 Model/Part #: 603157-02		
6	PANEL - LOUVER (LEFT) Cat #: 65W07 Model/Part #: 603158-02	1	LEFT

CONTROL PANEL PARTS

Callout	Name	Quantity	Description
C12	CAPACITOR-FAN&RUN Cat #: 89M83 Model/Part #: 100335-15	1	"45+10MFD,440VAC"
K1	CONTACTOR Cat #: 95M55 Model/Part #: 100438-01	1	"SPST,24V"

COOLING PARTS

Callout	Name	Quantity	Description
	RELAY-OVERLOAD COMP-INTERNAL Cat #: Model/Part #:	1	
	CORE-VALVE Cat #: 95M48 Model/Part #: 100210-01	1	CORE - VALVE
	DRIER Cat #: 95M52 Model/Part #: 100214-03	1	LIQUID LINE (FOOTNOTE 1)
	KIT Cat #: 97M78 Model/Part #: 100484-24	1	RFC (.076)
	FITTING-PRESS TAP Cat #: 95M47 Model/Part #: 100520-01	1	PRESSURE TAP
	HARNESS-COMPRESSOR Cat #: 15M35 Model/Part #: 15M3501	1	"MOLDED PLUG, COPE"
	DRIER Cat #: 88K45 Model/Part #: 88K4501	1	SUCTION LINE (OPTIONAL)
	MOUNT PKG-COMP Cat #: 54M63 Model/Part #: LB-106528	1	MOUNT PKG-COMP
10	COIL-OUTDOOR Cat #: 36W53 Model/Part #: LB-87170DN	1	W/MANIFOLD

Callout	Name	Quantity	Description
11	VALVE-SERVICE Cat #: 10W32 Model/Part #: 100432-01	1	"LIQUID-LINE,3/8""
12	VALVE-BALL SERVICE 7/8 X 7/8 Cat #: 77W34 Model/Part #: 102831-05	1	"SUCTION LINE,7/8""
13	FAN Cat #: 30W24 Model/Part #: 100060-21	1	"1/2""BORE,22""DIA,4 BLADE"
B1	COMPRESSOR ZP36K5E-PFV Cat #: 97M56 Model/Part #: 100040-08	1	"3 TON,208- 230/60/1,COPE (FOOTNOTE 1)"
B4	MOTOR-FAN Cat #: 92W75 Model/Part #: 100483-34	1	"1/4HP,825RPM,208- 230/60/1"
HR1	HEATER-CRANKCASE Cat #: 93M05 Model/Part #: 100499-02	1	"40 WATT, 240 VOLT (OPTIONAL)"
S4	SWITCH-HI PRESS-AUTO Cat #: 93W01 Model/Part #: 100087-12	1	CUTOUT 590 PSIG

INTERLINK ALTERNATE FOR COPELAND COMP.

Callout	Name	Quantity	Description
	COMPRESSOR ABA036KAA Cat #: 52W44 Model/Part #: 101995-05	1	COMPRESSOR ABA036KAA W/HARNESS
	HARNESS-COMP (REPAIR) Cat #: 44W62 Model/Part #: 102111-01	1	HARNESS -WIRE (REPAIR)
	SWITCH-THERMAL Cat #: 75W43 Model/Part #: 103048-01	1	THERMAL SWITCH ASSEMBLY (REPAIR)
	COVER Cat #: 75W44 Model/Part #: 103048-02	1	THERMAL SWITCH COVER ASSEMBLY (REPAIR)

Note:

Note 1: Compressor uses POE oil. The filter drier MUST BE replaced at time of compressor change. Please advise customer of this requirement at time of order. (The filter drier is excluded from the Lennox Quality Care Limited Warranty).