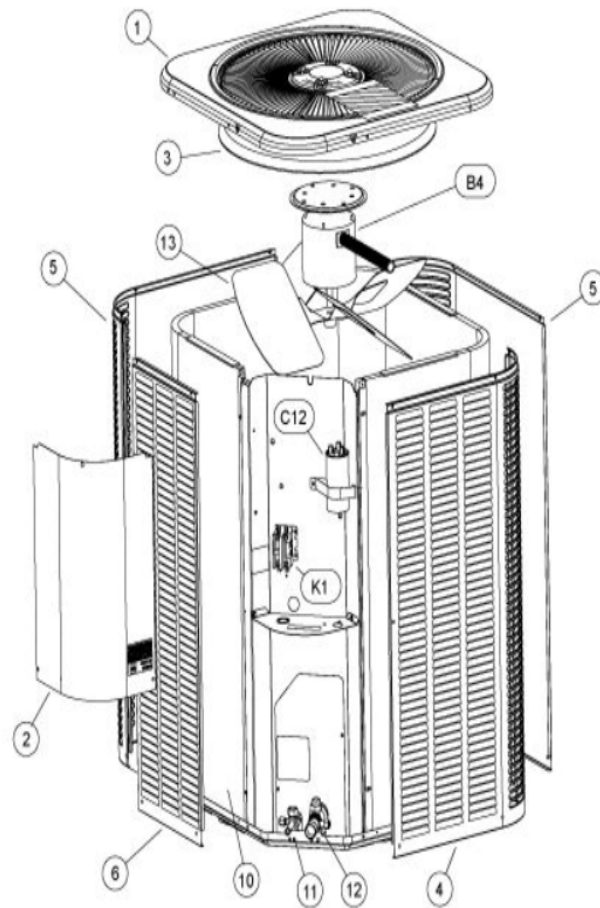


COOLING-CONDENSING
JANUARY, 2010

13ACX W/LOUVERED PANELS



Revision Number - 12

*OPTIONAL PARTS-FIELD INSTALLED

Callout	Name	Quantity	Description
	SWITCH-PRESS Cat #: 84M96 Model/Part #: 100216-01	1	"IN 55+5PSIG,OUT 25+5PSIG"
	CAPACITOR-START Cat #: 63A06 Model/Part #: 63A0601	1	"176-216 MFD, 320 VAC"
	TEE Cat #: LB-53109D Model/Part #: LB-53109D	1	DEPRESSOR TEE
	RELAY-POTENTIAL Cat #: 58327 Model/Part #: P-8-3577	1	SPNC
LC KIT	LOSS OF CHARGE KIT Cat #: 84M23 Model/Part #: LB-110135A	1	INC NEXT 2 PARTS
ST KIT	START KIT Cat #: 88M91 Model/Part #: LB-31200BAR	1	INC NEXT 2 PARTS

CABINET PARTS

Callout	Name	Quantity	Description
	NUT-CAP Cat #: 85M56 Model/Part #: 100094-01	4	TOP PANEL
	COVER Cat #: 69J03 Model/Part #: 69J0301	1	SOUND-COMPRESSOR (OPTIONAL)
	LEG Cat #: 94J45 Model/Part #: LB-87156A	1	BASE(SET OF 4)
1	PANEL-TOP 24 X 24 Cat #: 65W89 Model/Part #: 102420-01	1	PANEL-TOP 24 X 24
2	COVER-CONTROL BOX Cat #: 49W76 Model/Part #: 102073-01	1	COVER - CONTROL PANEL
3	ORIFICE Cat #: 95M53 Model/Part #: 100001-03	1	"18""
4	PANEL - LOUVER (RIGHT)	1	RIGHT

Callout	Name	Quantity	Description
	Cat #: 64W88 Model/Part #: 603153-02		
5	PANEL - LOUVER (CENTER) Cat #: 64W91 Model/Part #: 603154-02	2	CENTER
6	PANEL - LOUVER (LEFT) Cat #: 64W94 Model/Part #: 603155-02	1	LEFT

CONTROL PANEL PARTS

Callout	Name	Quantity	Description
C12	CAPACITOR-FAN MTR Cat #: 89M77 Model/Part #: 100335-09	1	"40+5MFD,440VAC"
K1	CONTACTOR Cat #: 95M55 Model/Part #: 100438-01	1	"SPST,24V"

COOLING PARTS

Callout	Name	Quantity	Description
	RELAY-OVERLOAD COMP-INTERNAL Cat #: Model/Part #:	1	
	CORE-VALVE Cat #: 95M48 Model/Part #: 100210-01	1	CORE - VALVE
	DRIER Cat #: 95M52 Model/Part #: 100214-03	1	LIQUID LINE(FOOTNOTE 1)
	KIT-RFC Cat #: 10W99 Model/Part #: 100484-15	1	RFC (.065)
	FITTING-PRESS TAP Cat #: 95M47 Model/Part #: 100520-01	1	PRESSURE TAP
	MOUNT PKG-COMP Cat #: 54M63 Model/Part #: 15J1301PR	1	MOUNT PKG-COMP
	HARNESS-COMPRESSOR Cat #: 15M35 Model/Part #: 15M3501	1	MOLDED PLUG
	DRIER Cat #: 88K44 Model/Part #: 88K4401	1	SUCTION LINE (OPTIONAL)

Callout	Name	Quantity	Description
10	COIL-OUTDOOR Cat #: 60W10 Model/Part #: 604750-14	1	W/MANIFOLD
11	VALVE-SERVICE Cat #: 10W32 Model/Part #: 100432-01	1	"LIQUID-LINE,3/8""
12	VALVE-SERVICE Cat #: 10W33 Model/Part #: 100432-02	1	"SUCTION LINE,3/4""
13	FAN Cat #: 98M19 Model/Part #: 100060-08	1	"1/2""BORE,18""DIA,4 BLADE"
B1	COMPRESSOR ZP25K5E-PFV Cat #: 97M54 Model/Part #: 100040-04	1	"2 TON,208- 230/60/1,COPE (FOOTNOTE 1)
B4	MOTOR-FAN Cat #: 43W49 Model/Part #: 100483-21	1	"1/5HP,1075RPM,208- 230/60/1"
HR1	HEATER-CRANKCASE Cat #: 93M04 Model/Part #: 100499-01	1	"40 WATT, 240 VOLT (OPTIONAL)"
S4	SWITCH-HI PRESS-MANUAL Cat #: 42W41 Model/Part #: 100103-03	1	CUTOUT 590 PSIG

INTERLINK ALTERNATE FOR COPELAND COMP.

Callout	Name	Quantity	Description
	COMPRESSOR APA026KAA Cat #: 52W33 Model/Part #: 101995-03	1	COMPRESSOR APA026KAA W/HARNESS
	HARNESS-COMP (REPAIR) Cat #: 44W62 Model/Part #: 102111-01	1	HARNESS -WIRE (REPAIR)
	SWITCH-THERMAL Cat #: 75W43 Model/Part #: 103048-01	1	THERMAL SWITCH ASSEMBLY (REPAIR)
	COVER Cat #: 75W44 Model/Part #: 103048-02	1	THERMAL SWITCH COVER ASSEMBLY (REPAIR)

Note:

Note 1: Compressor uses POE oil. The filter drier MUST BE replaced at time of compressor change. Please advise customer of this requirement at time of order. (The filter drier is excluded from the Lennox Quality Care Limited Warranty).