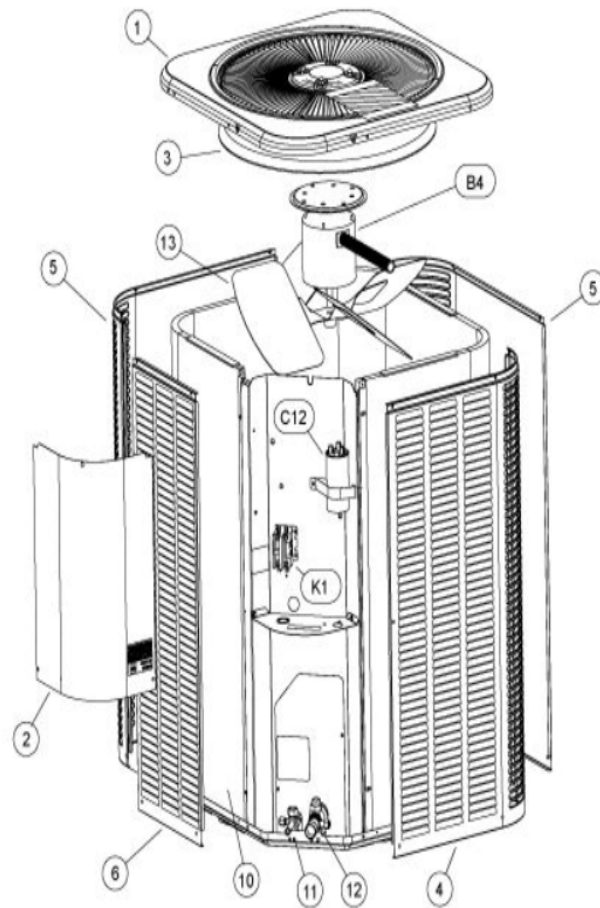


COOLING-CONDENSING  
JANUARY, 2010

### 13ACX W/LOUVERED PANELS



Revision Number - 13

## \*OPTIONAL PARTS-FIELD INSTALLED

Callout	Name	Quantity	Description
	SWITCH-PRESS Cat #: 84M96 Model/Part #: 100216-01	1	"IN 55+5PSIG,OUT 25+5PSIG"
	CAPACITOR-START Cat #: 63A06 Model/Part #: 63A0601	1	"176-216 MFD, 320 VAC"
	RELAY-POTENTIAL Cat #: 58327 Model/Part #: P-8-3577	1	SPNC
LC KIT	LOSS OF CHARGE KIT Cat #: 84M23 Model/Part #: LB-110135A	1	INC NEXT PART
ST KIT	START KIT Cat #: 88M91 Model/Part #: LB-31200BAR	1	INC NEXT 2 PARTS

## CABINET PARTS

Callout	Name	Quantity	Description
	NUT-CAP Cat #: 85M56 Model/Part #: 100094-01	4	TOP PANEL
	COVER Cat #: 69J03 Model/Part #: 69J0301	1	SOUND-COMPRESSOR (OPTIONAL)
	LEG Cat #: 94J45 Model/Part #: LB-87156A	1	BASE(SET OF 4)
1	PANEL-TOP 24 X 24 Cat #: 65W89 Model/Part #: 102420-01	1	PANEL-TOP 24 X 24
2	COVER-CONTROL BOX Cat #: 49W76 Model/Part #: 102073-01	1	COVER - CONTROL PANEL
3	ORIFICE Cat #: 95M53 Model/Part #: 100001-03	1	"18""
4	PANEL - LOUVER (RIGHT) Cat #: 64W87 Model/Part #: 603153-01	1	RIGHT
5	PANEL - LOUVER (CENTER)	2	CENTER

Callout	Name	Quantity	Description
	Cat #: 64W90 Model/Part #: 603154-01		
6	PANEL - LOUVER (LEFT) Cat #: 64W93 Model/Part #: 603155-01	1	LEFT

## CONTROL PANEL PARTS

Callout	Name	Quantity	Description
C12	CAPACITOR-FAN&RUN Cat #: 89M74 Model/Part #: 100335-06	1	"35+5MFD,440VAC"
K1	CONTACTOR Cat #: 95M55 Model/Part #: 100438-01	1	"SPST,24V"

## COOLING PARTS

Callout	Name	Quantity	Description
	CORE-VALVE Cat #: 95M48 Model/Part #: 100210-01	1	CORE - VALVE
	DRIER Cat #: 95M52 Model/Part #: 100214-03	1	LIQUID LINE(FOOTNOTE 1)
	KIT Cat #: 97M75 Model/Part #: 100484-08	1	RFC (.057)
	FITTING-PRESS TAP Cat #: 95M47 Model/Part #: 100520-01	1	PRESSURE TAP
	HARNESS-COMP (REPAIR) Cat #: 44W62 Model/Part #: 102111-01	1	MOLDED PLUG
	COVER Cat #: 75W44 Model/Part #: 103048-02	1	THERMAL SWITCH COVER ASSEMBLY (REPAIR)
	MOUNT PKG-COMP Cat #: 54M63 Model/Part #: 15J1301PR	1	MOUNT PKG-COMP
	DRIER Cat #: 88K44 Model/Part #: 88K4401	1	SUCTION LINE (OPTIONAL)
10	COIL-OUTDOOR Cat #: 60W09 Model/Part #: 604750-13	1	W/MANIFOLD

<b>Callout</b>	<b>Name</b>	<b>Quantity</b>	<b>Description</b>
11	VALVE-SERVICE Cat #: 10W32 Model/Part #: 100432-01	1	"LIQUID-LINE,3/8""
12	VALVE-SERVICE Cat #: 10W33 Model/Part #: 100432-02	1	"SUCTION LINE,3/4""
13	FAN Cat #: 98M18 Model/Part #: 100060-07	1	"1/2""BORE,18""DIA,3 BLADE"
B1	COMPRESSOR APA020KAA Cat #: 52W10 Model/Part #: 101995-02	1	"1.5 TON,208- 230/60/1,LII / INTERLINK(FO
B4	MOTOR-FAN Cat #: 47W86 Model/Part #: 100483-23	1	"1/10HP,1075RPM,208- 230/60/1"
HR1	HEATER-CRANKCASE Cat #: 93M04 Model/Part #: 100499-01	1	"40 WATT, 240 VOLT (OPTIONAL)"
S173	SWITCH-THERMAL Cat #: 75W43 Model/Part #: 103048-01	1	THERMAL SWITCH ASSEMBLY (REPAIR)
S4	SWITCH-HI PRESS-MANUAL Cat #: 42W41 Model/Part #: 100103-03	1	CUTOUT 590 PSIG

### **COPELAND ALTERNATE FOR INTERLINK COMP.**

<b>Callout</b>	<b>Name</b>	<b>Quantity</b>	<b>Description</b>
	COMPRESSOR ZP20K5E-PFV Cat #: 97M53 Model/Part #: 100040-02	1	COMPRESSOR ZP20K5E-PFV L/HARNESS
	HARNESS-COMPRESSOR Cat #: 15M35 Model/Part #: 15M3501	1	15M3501 HARNESS- MOLDED PLUG 1PH

**Note:**

Note1: Compressor uses POE oil. The filter drier MUST BE replaced at time of compressor change. Please advise customer of this requirement at time of order. (The filter drier is excluded from the Lennox Quality Care Limited Warranty).