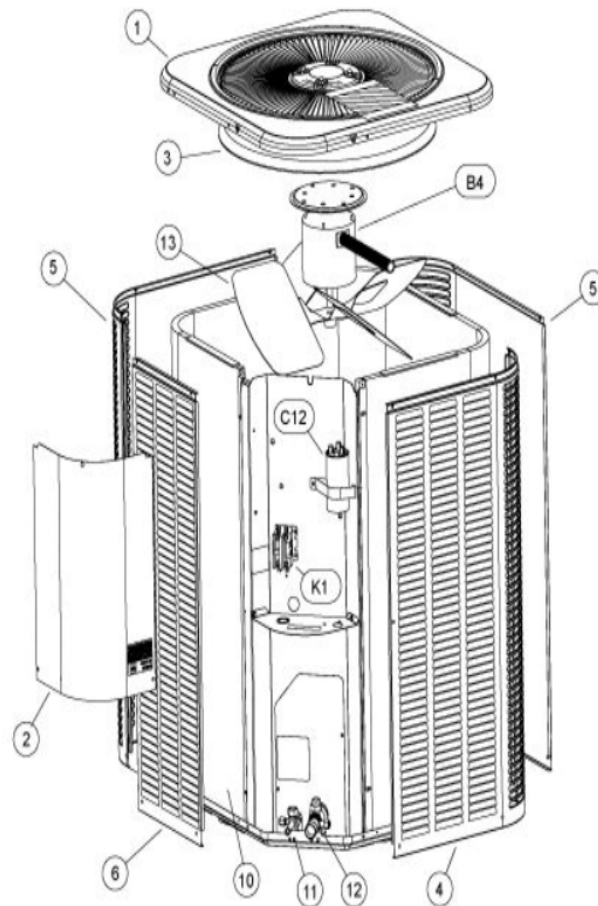


COOLING-CONDENSING
JANUARY, 2010

13ACX W/LOUVERED PANELS



Revision Number - 12

*OPTIONAL PARTS-FIELD INSTALLED

| Callout | Name | Quantity | Description |
|---------|---|----------|----------------------------|
| | SWITCH-PRESS Cat #: 84M96 Model/Part #: 100216-01 | 1 | "IN 55+5PSIG,OUT 25+5PSIG" |
| | CAPACITOR-START Cat #: 63A06 Model/Part #: 63A0601 | 1 | "176-216 MFD, 320 VAC" |
| | RELAY-POTENTIAL Cat #: 58327 Model/Part #: P-8-3577 | 1 | SPNC |
| LC KIT | LOSS OF CHARGE KIT Cat #: 84M23 Model/Part #: LB-110135A | 1 | INC NEXT PART |
| ST KIT | START KIT Cat #: 88M91 Model/Part #: LB-31200BAR | 1 | INC NEXT 2 PARTS |

CABINET PARTS

| Callout | Name | Quantity | Description |
|---------|--|----------|-----------------------------|
| | NUT-CAP Cat #: 85M56 Model/Part #: 100094-01 | 4 | TOP PANEL |
| | COVER Cat #: 69J03 Model/Part #: 69J0301 | 1 | SOUND-COMPRESSOR (OPTIONAL) |
| | LEG Cat #: 94J45 Model/Part #: LB-87156A | 1 | BASE(SET OF 4) |
| 1 | PANEL-TOP 24 X 24 Cat #: 65W89 Model/Part #: 102420-01 | 1 | PANEL-TOP 24 X 24 |
| 2 | COVER-CONTROL BOX Cat #: 49W76 Model/Part #: 102073-01 | 1 | COVER - CONTROL PANEL |
| 3 | ORIFICE Cat #: 95M53 Model/Part #: 100001-03 | 1 | "18"" |
| 4 | PANEL - LOUVER (RIGHT) Cat #: 64W87 Model/Part #: 603153-01 | 1 | RIGHT |
| 5 | PANEL - LOUVER (CENTER) | 2 | CENTER |

| Callout | Name | Quantity | Description |
|---------|---|----------|-------------|
| | Cat #: 64W90 Model/Part #: 603154-01 | | |
| 6 | PANEL - LOUVER (LEFT) Cat #: 64W93 Model/Part #: 603155-01 | 1 | LEFT |

CONTROL PANEL PARTS

| Callout | Name | Quantity | Description |
|---------|---|----------|------------------|
| C12 | CAPACITOR-FAN&RUN Cat #: 89M74 Model/Part #: 100335-06 | 1 | "35+5MFD,440VAC" |
| K1 | CONTACTOR Cat #: 95M55 Model/Part #: 100438-01 | 1 | "SPST,24V" |

COOLING PARTS

| Callout | Name | Quantity | Description |
|---------|---|----------|-------------------------|
| | RELAY-OVERLOAD COMP-INTERNAL Cat #: Model/Part #: | 1 | |
| | CORE-VALVE Cat #: 95M48 Model/Part #: 100210-01 | 1 | CORE - VALVE |
| | DRIER Cat #: 95M52 Model/Part #: 100214-03 | 1 | LIQUID LINE(FOOTNOTE 1) |
| | KIT Cat #: 97M75 Model/Part #: 100484-08 | 1 | RFC (.057) |
| | FITTING-PRESS TAP Cat #: 95M47 Model/Part #: 100520-01 | 1 | PRESSURE TAP |
| | MOUNT PKG-COMP Cat #: 54M63 Model/Part #: 15J1301PR | 1 | MOUNT PKG-COMP |
| | HARNESS-COMPRESSOR Cat #: 15M35 Model/Part #: 15M3501 | 1 | MOLDED PLUG |
| | DRIER Cat #: 88K44 Model/Part #: 88K4401 | 1 | SUCTION LINE (OPTIONAL) |
| 10 | COIL-OUTDOOR Cat #: 60W09 Model/Part #: 604750-13 | 1 | W/MANIFOLD |

| Callout | Name | Quantity | Description |
|---------|--|----------|--|
| 11 | VALVE-SERVICE Cat #: 10W32 Model/Part #: 100432-01 | 1 | "LIQUID-LINE,3/8"" |
| 12 | VALVE-SERVICE Cat #: 10W33 Model/Part #: 100432-02 | 1 | "SUCTION LINE,3/4"" |
| 13 | FAN Cat #: 98M18 Model/Part #: 100060-07 | 1 | "1/2""BORE,18""DIA,3 BLADE" |
| B1 | COMPRESSOR ZP20K5E-PFV Cat #: 97M53 Model/Part #: 100040-02 | 1 | "1.5 TON,208- 230/60/1,COPE(FOOTNOTE 1)" |
| B4 | MOTOR-FAN Cat #: 47W86 Model/Part #: 100483-23 | 1 | "1/10HP,1075RPM,208- 230/60/1" |
| HR1 | HEATER-CRANKCASE Cat #: 93M04 Model/Part #: 100499-01 | 1 | "40 WATT, 240 VOLT (OPTIONAL)" |
| S4 | SWITCH-HI PRESS-MANUAL Cat #: 42W41 Model/Part #: 100103-03 | 1 | CUTOUT 590 PSIG |

INTERLINK ALTERNATE FOR COPELAND COMP.

| Callout | Name | Quantity | Description |
|---------|---|----------|--|
| | COMPRESSOR APA020KAA Cat #: 52W10 Model/Part #: 101995-02 | 1 | COMPRESSOR APA020KAA W/HARNESS |
| | HARNESS-COMP (REPAIR) Cat #: 44W62 Model/Part #: 102111-01 | 1 | HARNESS -WIRE (REPAIR) |
| | SWITCH-THERMAL Cat #: 75W43 Model/Part #: 103048-01 | 1 | THERMAL SWITCH ASSEMBLY (REPAIR) |
| | COVER Cat #: 75W44 Model/Part #: 103048-02 | 1 | THERMAL SWITCH COVER ASSEMBLY (REPAIR) |

Note:

NOTE 1: Compressor uses POE oil. The filter drier MUST BE replaced at time of compressor change. Please advise customer of this requirement at time of order. (The filter drier is excluded from the Lennox Quality Care Limited Warranty).