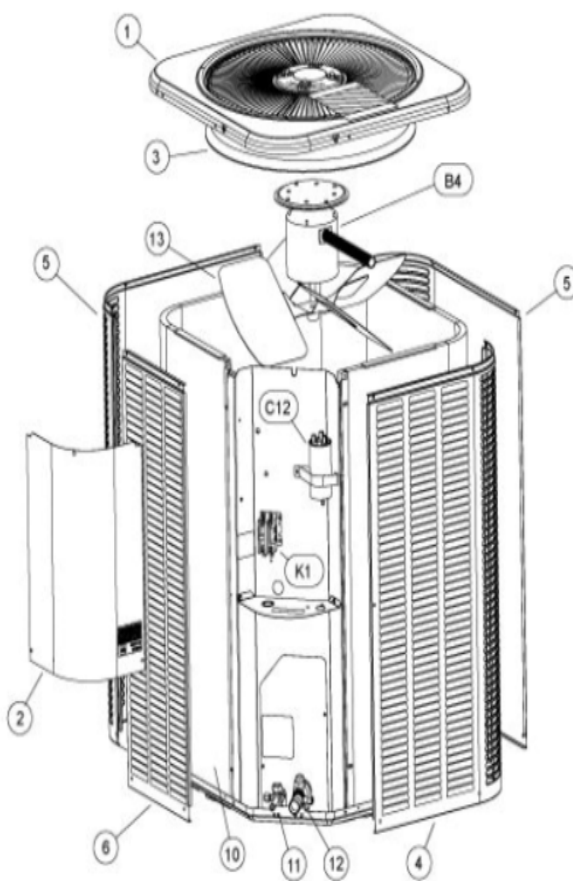
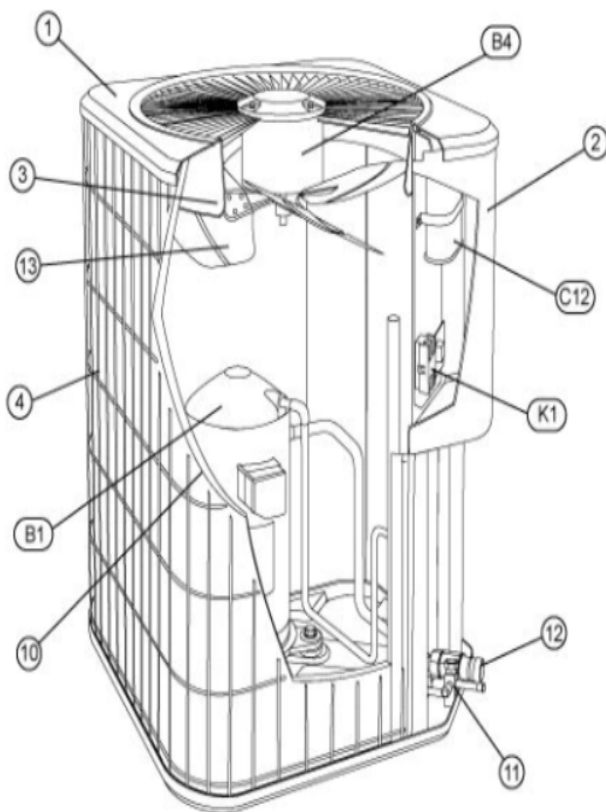


13ACX W/LOUVERED PANELS



### 13ACX SERIES



Revision Number - 11

## \*OPTIONAL PARTS-FIELD INSTALLED

Callout	Name	Quantity	Description
	SWITCH-PRESS Cat #: 84M96 Model/Part #: 100216-01	1	"IN 55+5PSIG,OUT 25+5PSIG"
	CAPACITOR-START Cat #: 47A60 Model/Part #: 47A6001	1	"88MFD,330VAC"
	RELAY-POTENTIAL Cat #: 58327 Model/Part #: P-8-3577	1	SPNC
LC KIT	LOSS OF CHARGE KIT Cat #: 84M23 Model/Part #: LB-110135A	1	INC NEXT PART
ST KIT	START-KIT Cat #: 10J42 Model/Part #: LB-31200BM	1	INC NEXT 2 PARTS

## CABINET PARTS

Callout	Name	Quantity	Description
	NUT-CAP Cat #: 85M56 Model/Part #: 100094-01	4	TOP PANEL
	PUSH PIN-MESHING Cat #: 42W91 Model/Part #: 100230-06	6	PIN-PUSH
	MESHING-COIL Cat #: 26W30 Model/Part #: 100231-09	1	"36"" X 90"" (CUT OT FIT)"
	COVER Cat #: 69J03 Model/Part #: 69J0301	1	SOUND- COMPRESSOR (OPTIONAL)
	LEG Cat #: 94J45 Model/Part #: LB-87156A	1	BASE(SET OF 4)
1	PANEL-TOP Cat #: 49W79 Model/Part #: 102076-01	1	PANEL - TOP 24 X 24
2	COVER-CONTROL BOX Cat #: 49W76 Model/Part #: 102073-01	1	COVER - CONTROL PANEL

Callout	Name	Quantity	Description
3	ORIFICE Cat #: 95M53 Model/Part #: 100001-03	1	"18""
4	GUARD- COIL Cat #: 88M51 Model/Part #: 100315-05	1	OUTDOOR COIL

## CONTROL PANEL PARTS

Callout	Name	Quantity	Description
C12	CAPACITOR-FAN&RUN Cat #: 89M74 Model/Part #: 100335-06	1	35 / 5 MFD @ 440V ROUND
K1	CONTACTOR Cat #: 95M55 Model/Part #: 100438-01	1	"SPST,24V"

## COOLING PARTS

Callout	Name	Quantity	Description
	RELAY-OVERLOAD COMP-INTERNAL Cat #: Model/Part #:	1	
	CORE-VALVE Cat #: 95M48 Model/Part #: 100210-01	1	CORE - VALVE
	DRIER Cat #: 95M52 Model/Part #: 100214-03	1	"LIQUID LINE (FOOTNOTE 1)"
	KIT Cat #: 10W93 Model/Part #: 100484-04	1	RFC (.051)
	FITTING-PRESS TAP Cat #: 95M47 Model/Part #: 100520-01	1	PRESSURE TAP
	HARNESS-COMP (REPAIR) Cat #: 44W62 Model/Part #: 102111-01	1	HARNESS -WIRE
	COVER Cat #: 75W44 Model/Part #: 103048-02	1	THERMAL SWITCH COVER ASSEMBLY (REPAIR)
	MOUNT PKG-COMP Cat #: 54M63 Model/Part #: 15J1301PR	1	MOUNT PKG-COMP
	DRIER	1	SUCTION LINE

Callout	Name	Quantity	Description
	Cat #: 88K44 Model/Part #: 88K4401		(OPTIONAL)
10	COIL-OUTDOOR Cat #: 36W51 Model/Part #: LB-87170DL	1	W/MANIFOLD
11	VALVE-SERVICE Cat #: 10W32 Model/Part #: 100432-01	1	"LIQUID-LINE,3/8""
12	VALVE-SERVICE Cat #: 10W33 Model/Part #: 100432-02	1	"SUCTION LINE,3/4""
13	FAN Cat #: 98M18 Model/Part #: 100060-07	1	"1/2""BORE,18""DIA,3 BLADE"
B1	COMPRESSOR APA016KAA Cat #: 53W14 Model/Part #: 101995-08	1	COMPRESSOR APA016KAA
B4	MOTOR-FAN Cat #: 47W86 Model/Part #: 100483-23	1	"1/10HP,1075RPM,208- 230/60/1"
HR1	HEATER-CRANKCASE Cat #: 93M04 Model/Part #: 100499-01	1	HEATER-CRANKCASE 40W 240V Ø4.72-7.01
S173	SWITCH-THERMAL Cat #: 75W43 Model/Part #: 103048-01	1	THERMAL SWITCH ASSEMBLY (REPAIR)
S4	SWITCH-HI PRESS-MANUAL Cat #: 42W41 Model/Part #: 100103-03	1	CUTOUT 590 PSIG

### COPELAND ALTERNATE FOR INTERLINK COMP.

Callout	Name	Quantity	Description
	COMPRESSOR Cat #: 97M52 Model/Part #: 100040-01	1	COMPRESSOR ZP16K5E-PFV L/HARNESS
	CAPACITOR-FANandRUN 30 / 5 MFD @ 440V R Cat #: 89M71 Model/Part #: 100335-03	1	30 / 5 MFD @ 440V ROUND
	HARNESS-COMPRESSOR Cat #: 15M35 Model/Part #: 15M3501	1	15M3501 HARNESS- MOLDED PLUG 1PH

**Note:**

NOTE 1: Compressor uses POE oil. The filter drier MUST BE replaced at time of compressor change. Please advise customer of this requirement at time of order. (The filter drier is excluded from the Lennox Quality Care Limited Warranty).