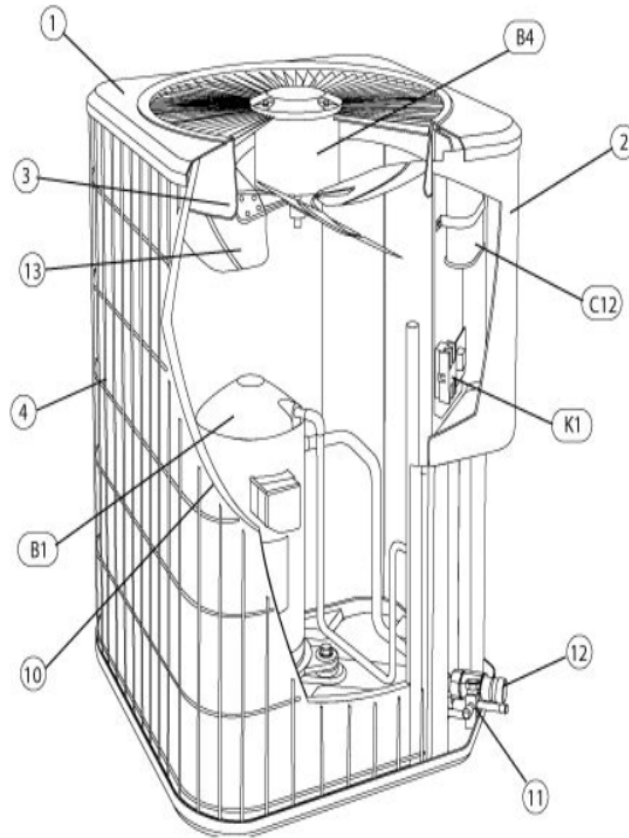


COOLING-CONDENSING
JULY, 2005

13ACD SERIES



Revision Number - 17

*OPTIONAL PARTS-FIELD INSTALLED

Callout	Name	Quantity	Description
	CAPACITOR-START Cat #: 21J29 Model/Part #: 21J2901	1	"270-324MFD,330VAC"
	VALVE-SADDLE Cat #: 65G91 Model/Part #: 65G9101	1	"3/8""
	SWITCH-HI PRESS Cat #: 86H31 Model/Part #: 86H3101	1	OUT 410+10PSIG
	RELAY-POTENTIAL Cat #: 58327 Model/Part #: P-8-3577	1	SPNC
A	VALVE-SADDLE Cat #: 65G91 Model/Part #: 65G9101	1	"3/8""
B	SWITCH-LO PRESS Cat #: 56L45 Model/Part #: 56L4501	1	"IN 55+5PSIG,OUT 25+5PSIG"
HP KIT	HI PRESS CUTOUT KIT Cat #: 94J46 Model/Part #: LB-87619A	1	INC NEXT 2 PARTS
LC KIT	LOSS OF CHARGE KIT Cat #: 94J47 Model/Part #: LB-87620A	1	INC NEXT 2 PARTS
ST KIT	START-KIT Cat #: 81J69 Model/Part #: LB-31200BW	1	INC NEXT 2 PARTS

CABINET PARTS

Callout	Name	Quantity	Description
	NUT-CAP Cat #: 85M56 Model/Part #: 100094-01	4	TOP PANEL
	PUSH PIN-MESHING Cat #: 42W91 Model/Part #: 100230-06	6	PIN-PUSH
	MESHING-COIL Cat #: 26W59 Model/Part #: 100231-42	1	"39"" X 109"" (CUT OT FIT)"
	COVER	1	SOUND-

Callout	Name	Quantity	Description
	Cat #: 69J03 Model/Part #: 69J0301		COMPRESSOR (OPTIONAL)
	LEG Cat #: 94J45 Model/Part #: LB-87156A	1	BASE(SET OF 4)
1	PANEL-TOP 28 X 28, DUCANE GRAY Cat #: 92W53 Model/Part #: 102875-02	1	PANEL-TOP 28 X 28, DUCANE GRAY
2	COVER-CONTROL BOX Cat #: 61W01 Model/Part #: 102072-02	1	COVER, CONTROL PANEL (DUCANE GRAY)
3	ORIFICE Cat #: 98M16 Model/Part #: 100001-01	1	"22"''
4	GUARD-COIL Cat #: 61W11 Model/Part #: 102466-03	1	GUARD-OUTDOOR COIL
6	PLATE-PATCH DUCANE GRAY Cat #: 82W47 Model/Part #: 103256-02	1	PLATE-PATCH DUCANE GRAY

CONTROL PANEL PARTS

Callout	Name	Quantity	Description
C12	CAPACITOR-FAN&RUN Cat #: 89M92 Model/Part #: 100335-26	1	"80+10MFD,370VAC"
K1	CONTACTOR Cat #: 95M56 Model/Part #: 100438-02	1	"SPST,24V"

COOLING PARTS

Callout	Name	Quantity	Description
	RELAY-OVERLOAD COMP-INTERNAL Cat #: Model/Part #:	1	
	DRIER Cat #: 95M52 Model/Part #: 100214-03	1	DRIER R410A - ONE WAY - 55G
	KIT Cat #: 98M15 Model/Part #: 100484-45	1	RFC (.099)
	DRIER	1	LIQUID LINE(OPT

Callout	Name	Quantity	Description
	Cat #: 12L71 Model/Part #: 12L7101		REPLACEMENT)
	MOUNT PKG-COMP Cat #: 54M63 Model/Part #: 15J1301PR	1	MOUNT PKG-COMP
	HARNESS-COMPRESSOR Cat #: 15M35 Model/Part #: 15M3501	1	MOLDED PLUG (COPE)
	DRIER Cat #: 88K45 Model/Part #: 88K4501	1	SUCTION LINE (OPTIONAL)
10	COIL-OUTDOOR Cat #: 36W55 Model/Part #: LB-87170DR	1	W/MANIFOLD
11	VALVE-SERVICE Cat #: 10W32 Model/Part #: 100432-01	1	"LIQUID-LINE,3/8""
12	VALVE-BALL SERVICE 1-1/8 X 7/8 Cat #: 77W35 Model/Part #: 102831-06	1	SUCTION LINE,7/8"" X 1 1/8""
13	FAN Cat #: 30W24 Model/Part #: 100060-21	1	"1/2""BORE,22""DIA,4 BLADE"
B1	104056-07 Comp ZR54K5E-PFV-800 230V-1 Cat #: 11C34 Model/Part #: 11C34	1	COPE ZR54K5E-PFV- 800 5 TON,208- 230/60/1
B4	MOTOR-FAN Cat #: 92W75 Model/Part #: 100483-34	1	MOTOR-FAN 1/4 HP 208/230V 60HZ 825 RPM
HR1	HEATER-CRANKCASE Cat #: 93M05 Model/Part #: 100499-02	1	"40 WATT, 240 VOLT (OPTIONAL)"

Note:

There are no technical notes for this product.