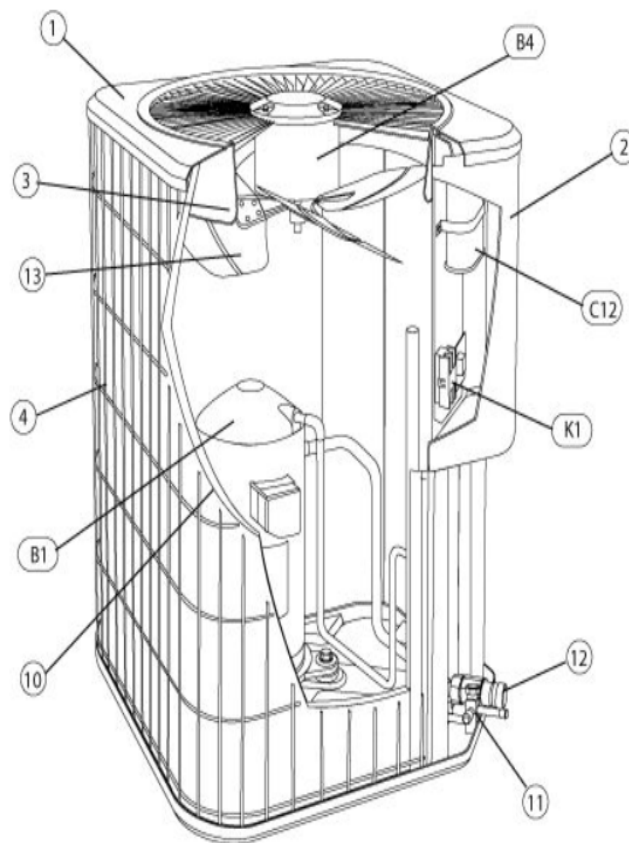


COOLING-CONDENSING
JULY, 2005

13ACD SERIES



Revision Number - 11

*OPTIONAL PARTS-FIELD INSTALLED

Callout	Name	Quantity	Description
	CAPACITOR-START Cat #: 21J29 Model/Part #: 21J2901	1	"270-324MFD,330VAC"
	VALVE-SADDLE Cat #: 65G91 Model/Part #: 65G9101	1	"3/8""
	SWITCH-HI PRESS Cat #: 86H31 Model/Part #: 86H3101	1	OUT 410+10PSIG
	RELAY-POTENTIAL Cat #: 58327 Model/Part #: P-8-3577	1	SPNC
A	VALVE-SADDLE Cat #: 65G91 Model/Part #: 65G9101	1	"3/8""
B	SWITCH-LO PRESS Cat #: 56L45 Model/Part #: 56L4501	1	"IN 55+5PSIG,OUT 25+5PSIG"
HP KIT	HI PRESS CUTOUT KIT Cat #: 94J46 Model/Part #: LB-87619A	1	INC NEXT 2 PARTS
LC KIT	LOSS OF CHARGE KIT Cat #: 94J47 Model/Part #: LB-87620A	1	INC NEXT 2 PARTS
ST KIT	START-KIT Cat #: 81J69 Model/Part #: LB-31200BW	1	INC NEXT 2 PARTS

CABINET PARTS

Callout	Name	Quantity	Description
	NUT-CAP Cat #: 85M56 Model/Part #: 100094-01	4	TOP PANEL
	PUSH PIN-MESHING Cat #: 42W91 Model/Part #: 100230-06	6	PIN-PUSH
	MESHING-COIL Cat #: 26W59 Model/Part #: 100231-42	1	"39"" X 109"" (CUT OT FIT)"
	COVER	1	SOUND-

Callout	Name	Quantity	Description
	Cat #: 69J03 Model/Part #: 69J0301		COMPRESSOR (OPTIONAL)
	LEG Cat #: 94J45 Model/Part #: LB-87156A	1	BASE(SET OF 4)
1	PANEL-TOP Cat #: 49W78 Model/Part #: 102075-01	1	TOP - PANEL 28 X 28
2	COVER-CONTROL BOX Cat #: 49W75 Model/Part #: 102072-01	1	COVER - CONTROL PANEL
3	ORIFICE Cat #: 98M16 Model/Part #: 100001-01	1	"22""
4	GUARD Cat #: 26W18 Model/Part #: 100315-09	1	OUTDOOR COIL

CONTROL PANEL PARTS

Callout	Name	Quantity	Description
C12	CAPACITOR-FAN&RUN Cat #: 29W09 Model/Part #: 100335-39	1	"70+10MFD,440VAC"
K1	CONTACTOR Cat #: 95M56 Model/Part #: 100438-02	1	"SPST,24V"

COOLING PARTS

Callout	Name	Quantity	Description
	RELAY-OVERLOADCOMP-INTERNAL Cat #: Model/Part #:	1	
	KIT Cat #: 98M15 Model/Part #: 100484-45	1	RFC (.099)
	HARNESS-COMP Cat #: 40W64 Model/Part #: 101261-02	1	MOLDED PLUG (LII/INTERLINK)
	DRIER Cat #: 12L71 Model/Part #: 12L7101	1	LIQUID LINE(OPT REPLACEMENT)
	MOUNT PKG-COMP Cat #: 54M63 Model/Part #: 15J1301PR	1	MOUNT PKG-COMP

Callout	Name	Quantity	Description
	DRIER Cat #: 88K45 Model/Part #: 88K4501	1	SUCTION LINE(OPT REPLACEMENT)
10	COIL-OUTDOOR Cat #: 36W55 Model/Part #: LB-87170DR	1	W/MANIFOLD
11	VALVE-SERVICE Cat #: 10W32 Model/Part #: 100432-01	1	"LIQUID-LINE,3/8""
12	VALVE-SERVICE Cat #: 31W74 Model/Part #: 100609-03	1	"SUCTION LINE,7/8"" X 1 1/8""
13	FAN Cat #: 30W24 Model/Part #: 100060-21	1	"1/2""BORE,22""DIA,4 BLADE"
B1	COMPRESSOR Cat #: 32W39 Model/Part #: 101086-04	1	"4.5 TON 208- 230/60/1, LII/INTERLINK W/H
B4	MOTOR-FAN Cat #: 97M51 Model/Part #: 100483-05	1	"1/4HP,825RPM,208- 230/60/1"
HR1	HEATER-CRANKCASE Cat #: 93M05 Model/Part #: 100499-02	1	"40 WATT, 240 VOLT (OPTIONAL)"

COPELAND ALTERNATE FOR INTERLINK COMP.

Callout	Name	Quantity	Description
	COMPRESSOR Cat #: 89M25 Model/Part #: 100052-07	1	COMPRESSOR ZR54KA-PFV- 130L/HARNESS
	CAPACITOR-FAN&RUN Cat #: 89M92 Model/Part #: 100335-26	1	80 + 10 MFD440VAC
	HARNESS-COMPRESSOR Cat #: 15M35 Model/Part #: 15M3501	1	15M3501 HARNESS- MOLDED PLUG 1PH

Note:

There are no technical notes for this product.