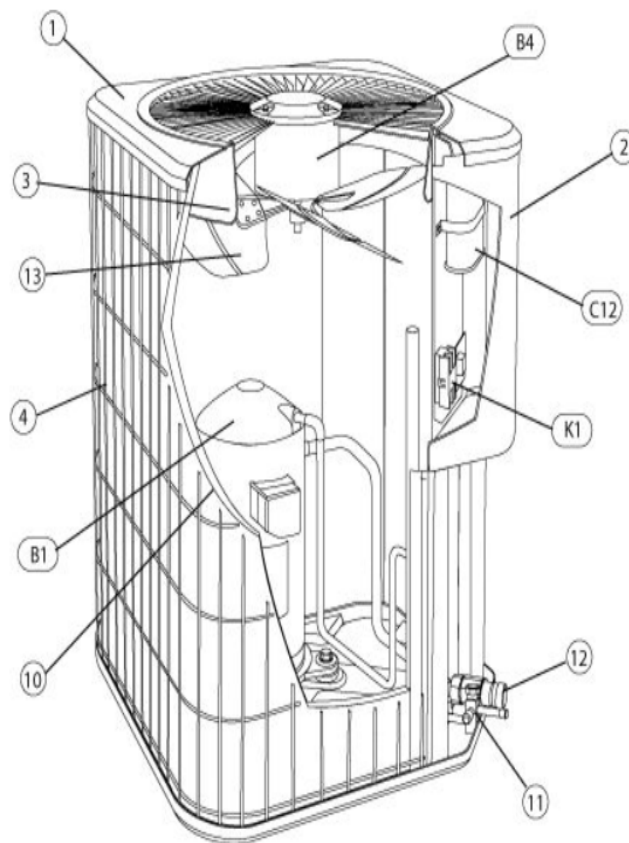


COOLING-CONDENSING  
JULY, 2005

### 13ACD SERIES



Revision Number - 14

## \*OPTIONAL PARTS-FIELD INSTALLED

Callout	Name	Quantity	Description
	CAPACITOR-START Cat #: 47A60 Model/Part #: 47A6001	1	"88MFD,330VAC"
	VALVE-SADDLE Cat #: 65G91 Model/Part #: 65G9101	1	"3/8"'"
	SWITCH-HI PRESS Cat #: 86H31 Model/Part #: 86H3101	1	OUT 410+10PSIG
	RELAY-POTENTIAL Cat #: 58327 Model/Part #: P-8-3577	1	SPNC
A	VALVE-SADDLE Cat #: 65G91 Model/Part #: 65G9101	1	"3/8"'"
B	SWITCH-LO PRESS Cat #: 56L45 Model/Part #: 56L4501	1	"IN 55+5PSIG,OUT 25+5PSIG"
HP KIT	HI PRESS CUTOUT KIT Cat #: 94J46 Model/Part #: LB-87619A	1	INC NEXT 2 PARTS
LC KIT	LOSS OF CHARGE KIT Cat #: 94J47 Model/Part #: LB-87620A	1	INC NEXT 2 PARTS
ST KIT	START-KIT Cat #: 10J42 Model/Part #: LB-31200BM	1	INC NEXT 2 PARTS

## CABINET PARTS

Callout	Name	Quantity	Description
	NUT-CAP Cat #: 85M56 Model/Part #: 100094-01	4	TOP PANEL
	PUSH PIN-MESHING Cat #: 42W91 Model/Part #: 100230-06	6	PIN-PUSH
	MESHING-COIL Cat #: 26W59 Model/Part #: 100231-42	1	"39"'" X 109"'" (CUT OT FIT)"
	COVER	1	SOUND-

Callout	Name	Quantity	Description
	Cat #: 69J03 Model/Part #: 69J0301		COMPRESSOR (OPTIONAL)
	LEG Cat #: 94J45 Model/Part #: LB-87156A	1	BASE(SET OF 4)
1	PANEL-TOP Cat #: 61W05 Model/Part #: 102419-02	1	PANEL-TOP 28 X 28, DUCANE GRAY
2	COVER-CONTROL BOX Cat #: 61W01 Model/Part #: 102072-02	1	COVER, CONTROL PANEL (DUCANE GRAY)
3	ORIFICE Cat #: 98M16 Model/Part #: 100001-01	1	"22"''''
4	GUARD-OUTDOOR COIL Cat #: 61W12 Model/Part #: 102466-04	1	GUARD-OUTDOOR COIL
6	PLATE-PATCH DUCANE GRAY Cat #: 82W47 Model/Part #: 103256-02	1	PLATE-PATCH DUCANE GRAY

## CONTROL PANEL PARTS

Callout	Name	Quantity	Description
C12	CAPACITOR-FAN&RUN Cat #: 89M87 Model/Part #: 100335-19	1	"60+10MFD,440VAC"
K1	CONTACTOR Cat #: 95M56 Model/Part #: 100438-02	1	"SPST,24V"

## COOLING PARTS

Callout	Name	Quantity	Description
	RELAY-OVERLOAD COMP-INTERNAL Cat #: Model/Part #:	1	
	KIT Cat #: 98M14 Model/Part #: 100484-36	1	RFC (.089)
	DRIER Cat #: 12L71 Model/Part #: 12L7101	1	LIQUID LINE(OPT REPLACEMENT)
	MOUNT PKG-COMP	1	MOUNT PKG-COMP

<b>Callout</b>	<b>Name</b>	<b>Quantity</b>	<b>Description</b>
	Cat #: 54M63 Model/Part #: 15J1301PR		
	HARNESS-COMPRESSOR Cat #: 15M35 Model/Part #: 15M3501	1	MOLDED PLUG
	DRIER Cat #: 88K45 Model/Part #: 88K4501	1	SUCTION LINE(OPT REPLACEMENT)
10	COIL-OUTDOOR Cat #: 36W54 Model/Part #: LB-87170DP	1	W/MANIFOLD
11	VALVE-SERVICE Cat #: 10W32 Model/Part #: 100432-01	1	"LIQUID-LINE,3/8""
12	VALVE-BALL SERVICE 7/8 X 7/8 Cat #: 77W34 Model/Part #: 102831-05	1	"SUCTION LINE,7/8""
13	FAN Cat #: 30W24 Model/Part #: 100060-21	1	"1/2""BORE,22""DIA,4 BLADE"
B1	COMPRESSOR Cat #: 89M24 Model/Part #: 100052-06	1	"3.5 TON,208-230/60/1,COPE"
B4	MOTOR-FAN Cat #: 49W86 Model/Part #: 100483-24	1	"1/4HP,825RPM,208-230/60/1"
HR1	HEATER-CRANKCASE Cat #: 93M05 Model/Part #: 100499-02	1	"40 WATT, 240 VOLT (OPTIONAL)"

### **INTERLINK ALTERNATE FOR COPELAND COMP.**

<b>Callout</b>	<b>Name</b>	<b>Quantity</b>	<b>Description</b>
	CAPACITOR-FAN&RUN Cat #: 89M89 Model/Part #: 100335-21	1	50 + 10 MFD 440VAC
	COMPRESSOR Cat #: 40W59 Model/Part #: 101086-03	1	COMPRESSOR-SQA042K W/HARNESS
	HARNESS-COMP (REPAIR) Cat #: 26W43 Model/Part #: 101261-01	1	HARNESS-WIRE (REPAIR)

**Note:**

There are no technical notes for this product.