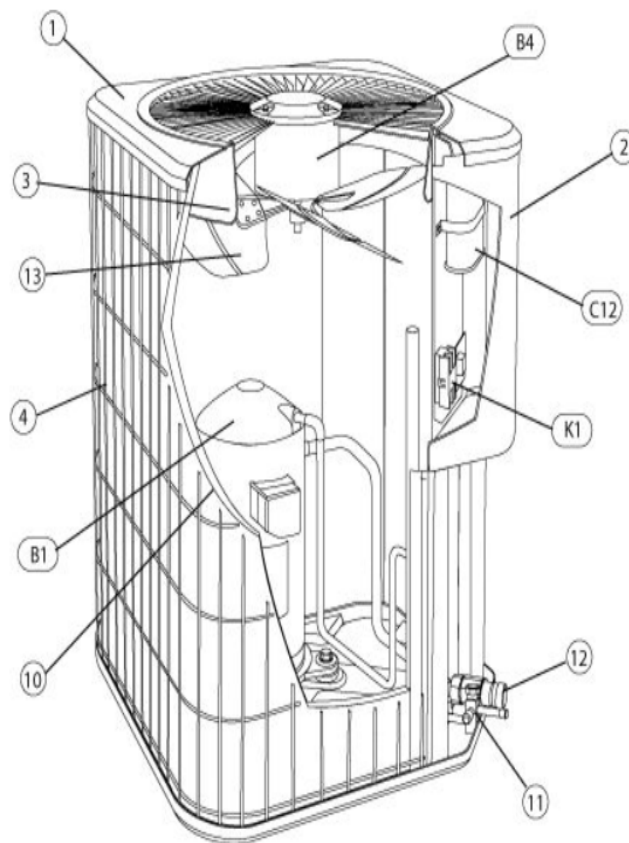


COOLING-CONDENSING
JULY, 2005

13ACD SERIES



Revision Number - 13

*OPTIONAL PARTS-FIELD INSTALLED

| Callout | Name | Quantity | Description |
|---------|---|----------|----------------------------------|
| | CAPACITOR-START Cat #: 47A60 Model/Part #: 47A6001 | 1 | "88MFD,330VAC" |
| | VALVE-SADDLE Cat #: 65G91 Model/Part #: 65G9101 | 1 | "3/8"'" |
| | SWITCH-HI PRESS Cat #: 86H31 Model/Part #: 86H3101 | 1 | OUT 410+10PSIG |
| | RELAY-POTENTIAL Cat #: 58327 Model/Part #: P-8-3577 | 1 | SPNC |
| A | VALVE-SADDLE Cat #: 65G91 Model/Part #: 65G9101 | 1 | "3/8"'" |
| B | SWITCH-LO PRESS Cat #: 56L45 Model/Part #: 56L4501 | 1 | "IN 55+5PSIG,OUT 25+5PSIG" |
| HP KIT | HI PRESS CUTOUT KIT Cat #: 94J46 Model/Part #: LB-87619A | 1 | INC NEXT 2 PARTS |
| LC KIT | LOSS OF CHARGE KIT Cat #: 94J47 Model/Part #: LB-87620A | 1 | INC NEXT 2 PARTS |
| ST KIT | START-KIT Cat #: 10J42 Model/Part #: LB-31200BM | 1 | INC NEXT 2 PARTS |

CABINET PARTS

| Callout | Name | Quantity | Description |
|---------|--|----------|---------------------------------|
| | NUT-CAP Cat #: 85M56 Model/Part #: 100094-01 | 4 | TOP PANEL |
| | PUSH PIN-MESHING Cat #: 42W91 Model/Part #: 100230-06 | 6 | PIN-PUSH |
| | MESHING-COIL Cat #: 26W30 Model/Part #: 100231-09 | 1 | "36"'" X 90"'" (CUT OT FIT)" |
| | COVER | 1 | SOUND- |

| Callout | Name | Quantity | Description |
|---------|---|----------|--|
| | Cat #: 69J03 Model/Part #: 69J0301 | | COMPRESSOR (OPTIONAL) |
| | LEG Cat #: 94J45 Model/Part #: LB-87156A | 1 | BASE(SET OF 4) |
| 1 | PANEL-TOP Cat #: 61W05 Model/Part #: 102419-02 | 1 | PANEL-TOP 28 X 28, DUCANE GRAY |
| 2 | PANEL-CONTROL Cat #: 61W02 Model/Part #: 102073-02 | 1 | COVER, CONTROL PANEL (DUCANE GRAY) |
| 3 | ORIFICE Cat #: 98M16 Model/Part #: 100001-01 | 1 | "22"'' |
| 4 | GUARD-OUTDOOR COIL Cat #: 61W10 Model/Part #: 102466-02 | 1 | GUARD-OUTDOOR COIL |
| 6 | PLATE-PATCH DUCANE GRAY Cat #: 83W75 Model/Part #: 102098-02 | 1 | PLATE-PATCH DUCANE GRAY |

CONTROL PANEL PARTS

| Callout | Name | Quantity | Description |
|---------|---|----------|-------------------|
| C12 | CAPACITOR-FAN&RUN Cat #: 89M89 Model/Part #: 100335-21 | 1 | "50+10MFD,440VAC" |
| K1 | CONTACTOR Cat #: 95M55 Model/Part #: 100438-01 | 1 | "SPST,24V" |

COOLING PARTS

| Callout | Name | Quantity | Description |
|---------|---|----------|--------------------------------|
| | RELAY-OVERLOADCOMP-INTERNAL Cat #: Model/Part #: | 1 | |
| | KIT-RFC Cat #: 10W86 Model/Part #: 100484-28 | 1 | RFC (.080) |
| | HARNESS-COMP (REPAIR) Cat #: 26W43 Model/Part #: 101261-01 | 1 | MOLDED PLUG (LII/INTERLINK) |
| | DRIER | 1 | LIQUID LINE(OPT |

| Callout | Name | Quantity | Description |
|----------------|--|-----------------|--|
| | Cat #: 12L71 Model/Part #: 12L7101 | | REPLACEMENT) |
| | MOUNT PKG-COMP Cat #: 54M63 Model/Part #: 15J1301PR | 1 | MOUNT PKG-COMP |
| | DRIER Cat #: 88K45 Model/Part #: 88K4501 | 1 | SUCTION LINE(OPT REPLACEMENT) |
| 10 | COIL-OUTDOOR Cat #: 36W53 Model/Part #: LB-87170DN | 1 | W/MANIFOLD |
| 11 | VALVE-SERVICE Cat #: 10W32 Model/Part #: 100432-01 | 1 | "LIQUID-LINE,3/8"" |
| 12 | VALVE-SERVICE Cat #: 31W73 Model/Part #: 100609-02 | 1 | "SUCTION LINE,7/8"" |
| 13 | FAN Cat #: 30W24 Model/Part #: 100060-21 | 1 | "1/2""BORE,22""DIA,4 BLADE" |
| B1 | COMPRESSOR Cat #: 40W58 Model/Part #: 101086-02 | 1 | "3 TON 208- 230/60/1, LII/INTERLINK W/HAR |
| B4 | MOTOR-FAN Cat #: 49W86 Model/Part #: 100483-24 | 1 | "1/4HP,825RPM,208- 230/60/1" |
| HR1 | HEATER-CRANKCASE Cat #: 93M05 Model/Part #: 100499-02 | 1 | "40 WATT, 240 VOLT (OPTIONAL)" |

COPELAND ALTERNATE FOR INTERLINK COMP.

| Callout | Name | Quantity | Description |
|----------------|--|-----------------|--|
| | COMPRESSOR Cat #: 89M23 Model/Part #: 100052-05 | 1 | COMPRESSOR- ZR38KA-PFV L/HARNESS |
| | CAPACITOR-DUAL Cat #: 10W36 Model/Part #: 100335-25 | 1 | 55 + 7.5 MFD 440 VAC |
| | HARNESS-COMPRESSOR Cat #: 15M35 Model/Part #: 15M3501 | 1 | 15M3501 HARNESS- MOLDED PLUG 1PH |

Note:

There are no technical notes for this product.