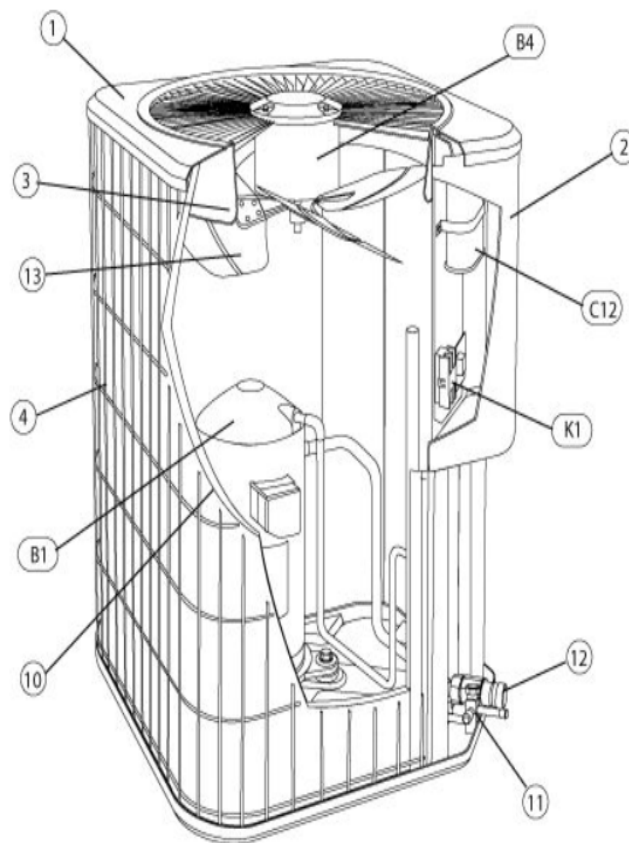


COOLING-CONDENSING
JULY, 2005

13ACD SERIES



Revision Number - 15

*OPTIONAL PARTS-FIELD INSTALLED

Callout	Name	Quantity	Description
	CAPACITOR-START Cat #: 47A60 Model/Part #: 47A6001	1	"88MFD,330VAC"
	VALVE-SADDLE Cat #: 65G91 Model/Part #: 65G9101	1	"3/8"'"
	SWITCH-HI PRESS Cat #: 86H31 Model/Part #: 86H3101	1	OUT 410+10PSIG
	RELAY-POTENTIAL Cat #: 58327 Model/Part #: P-8-3577	1	SPNC
A	VALVE-SADDLE Cat #: 65G91 Model/Part #: 65G9101	1	"3/8"'"
B	SWITCH-LO PRESS Cat #: 56L45 Model/Part #: 56L4501	1	"IN 55+5PSIG,OUT 25+5PSIG"
HP KIT	HI PRESS CUTOUT KIT Cat #: 94J46 Model/Part #: LB-87619A	1	INC NEXT 2 PARTS
LC KIT	LOSS OF CHARGE KIT Cat #: 94J47 Model/Part #: LB-87620A	1	INC NEXT 2 PARTS
ST KIT	START-KIT Cat #: 10J42 Model/Part #: LB-31200BM	1	INC NEXT 2 PARTS

CABINET PARTS

Callout	Name	Quantity	Description
	NUT-CAP Cat #: 85M56 Model/Part #: 100094-01	4	TOP PANEL
	PUSH PIN-MESHING Cat #: 42W91 Model/Part #: 100230-06	6	PIN-PUSH
	MESHING-COIL Cat #: 26W30 Model/Part #: 100231-09	1	"36"'" X 90"'" (CUT OT FIT)"
	COVER	1	SOUND-

Callout	Name	Quantity	Description
	Cat #: 69J03 Model/Part #: 69J0301		COMPRESSOR (OPTIONAL)
	LEG Cat #: 94J45 Model/Part #: LB-87156A	1	BASE(SET OF 4)
1	PANEL-TOP 24 X 24, DUCANE GRAY Cat #: 91W52 Model/Part #: 102876-02	1	PANEL-TOP 24 X 24, DUCANE GRAY
2	PANEL-CONTROL Cat #: 61W02 Model/Part #: 102073-02	1	COVER, CONTROL PANEL (DUCANE GRAY)
3	ORIFICE Cat #: 95M53 Model/Part #: 100001-03	1	"18""
4	GUARD-COIL Cat #: 61W07 Model/Part #: 102465-01	1	GUARD-OUTDOOR COIL
6	PLATE-PATCH DUCANE GRAY Cat #: 83W74 Model/Part #: 102097-02	1	PLATE-PATCH DUCANE GRAY

CONTROL PANEL PARTS

Callout	Name	Quantity	Description
C12	CAPACITOR-FAN&RUN Cat #: 89M80 Model/Part #: 100335-12	1	CAP-FAN&RUN 45 / 5 MFD@440V ROUND
K1	CONTACTOR Cat #: 95M55 Model/Part #: 100438-01	1	"SPST,24V"

COOLING PARTS

Callout	Name	Quantity	Description
	RELAY-OVERLOAD COMP-INTERNAL Cat #: Model/Part #:	1	
	DRIER Cat #: 95M52 Model/Part #: 100214-03	1	DRIER R410A - ONE WAY - 55G
	KIT-RFC Cat #: 98M12 Model/Part #: 100484-12	1	RFC (.062)

Callout	Name	Quantity	Description
	HEATER-CRANKCASE Cat #: 93M04 Model/Part #: 100499-01	1	HEATER-CRANKCASE 40W 240V Ø4.72-7.01
	DRIER Cat #: 12L71 Model/Part #: 12L7101	1	LIQUID LINE(OPT REPLACEMENT)
	MOUNT PKG-COMP Cat #: 54M63 Model/Part #: 15J1301PR	1	MOUNT PKG-COMP
	HARNESS-COMPRESSOR Cat #: 15M35 Model/Part #: 15M3501	1	MOLDED PLUG (COPE)
	DRIER Cat #: 88K44 Model/Part #: 88K4401	1	SUCTION LINE (OPTIONAL)
10	COIL-OUTDOOR Cat #: 36W95 Model/Part #: LB-87170DS	1	W/MANIFOLD
11	VALVE-SERVICE Cat #: 10W32 Model/Part #: 100432-01	1	"LIQUID-LINE,3/8""
12	VALVE-SERVICE Cat #: 10W33 Model/Part #: 100432-02	1	"SUCTION LINE,3/4""
13	FAN Cat #: 98M18 Model/Part #: 100060-07	1	"1/2""BORE,18""DIA,3 BLADE"
B1	104056-02 Comp ZR21K5E-PFV-800 230V-1 Cat #: 11C29 Model/Part #: 11C29	1	COPE ZR21K5E-PFV- 800 2 TON,208- 230/60/1
B4	MOTOR-FAN 1/10 HP 208/230V 60HZ 1075RPM Cat #: 96W83 Model/Part #: 100483-35	1	MOTOR-FAN 1/10HP,1075RPM,208- 230/60/1

Note:

Note1: Engineering Deviation E704062 used a 7.75" instead of an 8" motor conduit on units with serial numbers from 5807C05331 thru 5807C31144. If the motor needs replacing on these units, it will also be necessary to change the conduit to part number 31W14 (8"). The 8" conduit goes with the motor with the leads in the middle of the mounting studs.