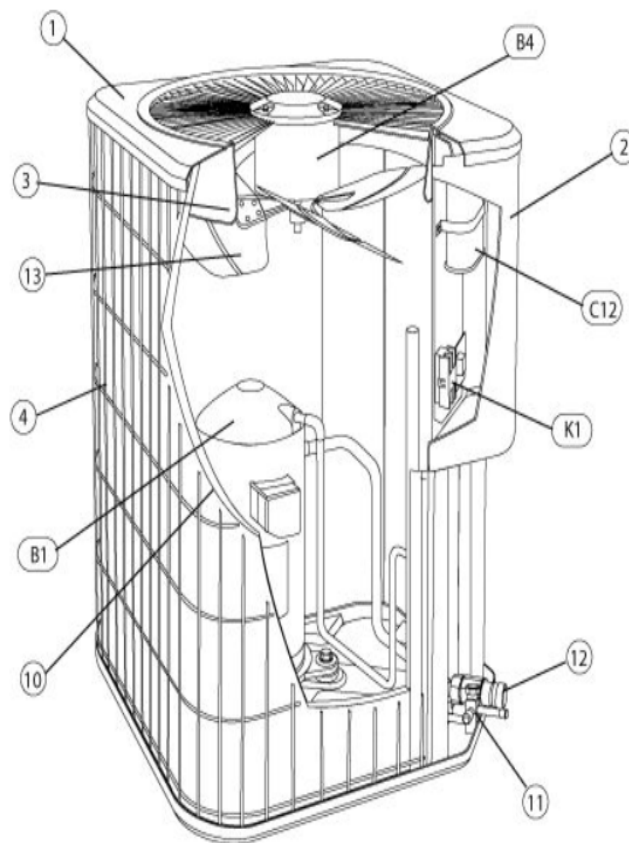


COOLING-CONDENSING
JULY, 2005

13ACD SERIES



Revision Number - 14

*OPTIONAL PARTS-FIELD INSTALLED

Callout	Name	Quantity	Description
	CAPACITOR-START Cat #: 47A60 Model/Part #: 47A6001	1	"88MFD,330VAC"
	VALVE-SADDLE Cat #: 65G91 Model/Part #: 65G9101	1	"3/8"'"
	SWITCH-HI PRESS Cat #: 86H31 Model/Part #: 86H3101	1	OUT 410+10PSIG
	RELAY-POTENTIAL Cat #: 58327 Model/Part #: P-8-3577	1	SPNC
A	VALVE-SADDLE Cat #: 65G91 Model/Part #: 65G9101	1	"3/8"'"
B	SWITCH-LO PRESS Cat #: 56L45 Model/Part #: 56L4501	1	"IN 55+5PSIG,OUT 25+5PSIG"
HP KIT	HI PRESS CUTOUT KIT Cat #: 94J46 Model/Part #: LB-87619A	1	INC NEXT 2 PARTS
LC KIT	LOSS OF CHARGE KIT Cat #: 94J47 Model/Part #: LB-87620A	1	INC NEXT 2 PARTS
ST KIT	START-KIT Cat #: 10J42 Model/Part #: LB-31200BM	1	INC NEXT 2 PARTS

CABINET PARTS

Callout	Name	Quantity	Description
	NUT-CAP Cat #: 85M56 Model/Part #: 100094-01	4	TOP PANEL
	PUSH PIN-MESHING Cat #: 42W91 Model/Part #: 100230-06	6	PIN-PUSH
	MESHING-COIL Cat #: 26W30 Model/Part #: 100231-09	1	"36"'" X 90"'" (CUT OT FIT)"
	COVER	1	SOUND-

Callout	Name	Quantity	Description
	Cat #: 69J03 Model/Part #: 69J0301		COMPRESSOR (OPTIONAL)
	LEG Cat #: 94J45 Model/Part #: LB-87156A	1	BASE(SET OF 4)
1	PANEL-TOP Cat #: 61W03 Model/Part #: 102420-02	1	PANEL-TOP 24 X 24, DUCANE GRAY
2	PANEL-CONTROL Cat #: 61W02 Model/Part #: 102073-02	1	COVER, CONTROL PANEL (DUCANE GRAY)
3	ORIFICE Cat #: 95M53 Model/Part #: 100001-03	1	"18"''''
4	GUARD-COIL Cat #: 61W07 Model/Part #: 102465-01	1	GUARD-OUTDOOR COIL
6	PLATE-PATCH DUCANE GRAY Cat #: 83W74 Model/Part #: 102097-02	1	PLATE-PATCH DUCANE GRAY

CONTROL PANEL PARTS

Callout	Name	Quantity	Description
C12	CAPACITOR-FAN&RUN Cat #: 89M74 Model/Part #: 100335-06	1	"35+5MFD,440VAC"
K1	CONTACTOR Cat #: 95M55 Model/Part #: 100438-01	1	"SPST,24V"

COOLING PARTS

Callout	Name	Quantity	Description
	RELAY-OVERLOAD COMP-INTERNAL Cat #: Model/Part #:	1	
	KIT-RFC Cat #: 98M12 Model/Part #: 100484-12	1	RFC (.062)
	DRIER Cat #: 12L71 Model/Part #: 12L7101	1	LIQUID LINE(OPT REPLACEMENT)
	MOUNT PKG-COMP	1	MOUNT PKG-COMP

Callout	Name	Quantity	Description
	Cat #: 54M63 Model/Part #: 15J1301PR		
	HARNESS-COMPRESSOR Cat #: 15M35 Model/Part #: 15M3501	1	MOLDED PLUG (COPE)
	DRIER Cat #: 88K44 Model/Part #: 88K4401	1	SUCTION LINE (OPTIONAL)
10	COIL-OUTDOOR Cat #: 36W95 Model/Part #: LB-87170DS	1	W/MANIFOLD
11	VALVE-SERVICE Cat #: 10W32 Model/Part #: 100432-01	1	"LIQUID-LINE,3/8""
12	VALVE-SERVICE Cat #: 10W33 Model/Part #: 100432-02	1	"SUCTION LINE,3/4""
13	FAN Cat #: 98M18 Model/Part #: 100060-07	1	"1/2""BORE,18""DIA,3 BLADE"
B1	COMPRESSOR ZR21K5-PFV Cat #: 90W67 Model/Part #: 103349-02	1	"2 TON,208- 230/60/1,COPE" L/HARNESS
B4	MOTOR-FAN Cat #: 47W86 Model/Part #: 100483-23	1	"1/10HP,1075RPM,208- 230/60/1"

INTERLINK ALTERNATE FOR COPELAND COMP.

Callout	Name	Quantity	Description
	COMPRESSOR Cat #: 32W18 Model/Part #: 101086-05	1	COMPRESSOR SQA022K W/HARNESS
	HARNESS-COMP (REPAIR) Cat #: 26W43 Model/Part #: 101261-01	1	HARNESS-COMP (REPAIR)

Note:

Note1: Engineering Deviation E704062 used a 7.75" instead of an 8" motor conduit on units with serial numbers from 5807C05331 thru 5807C31144. If the motor needs replacing on these units, it will also be necessary to change the conduit to part number 31W14 (8"). The 8" conduit goes with the motor with the leads in the middle of the mounting studs.