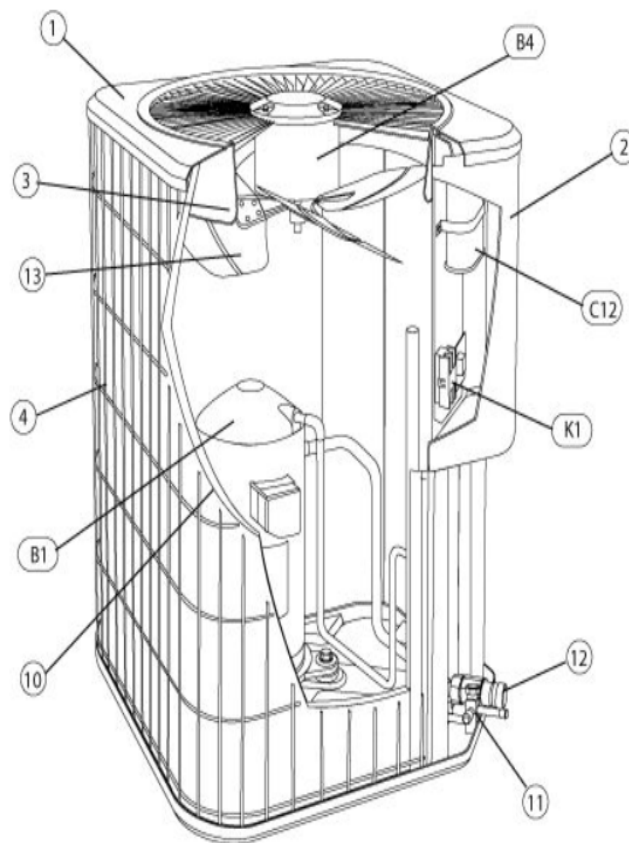


COOLING-CONDENSING  
JULY, 2005

### 13ACD SERIES



Revision Number - 12

## \*OPTIONAL PARTS-FIELD INSTALLED

| Callout | Name  | Quantity | Description                      |
|---------|---|----------|----------------------------------|
|         | CAPACITOR-START<br>Cat #: 47A60 Model/Part #: 47A6001       | 1        | "88MFD,330VAC"                   |
|         | VALVE-SADDLE<br>Cat #: 65G91 Model/Part #: 65G9101          | 1        | "3/8"'"                          |
|         | SWITCH-HI PRESS<br>Cat #: 86H31 Model/Part #: 86H3101       | 1        | OUT 410+10PSIG                   |
|         | RELAY-POTENTIAL<br>Cat #: 58327 Model/Part #: P-8-3577      | 1        | SPNC                             |
| A       | VALVE-SADDLE<br>Cat #: 65G91 Model/Part #: 65G9101          | 1        | "3/8"'"                          |
| B       | SWITCH-LO PRESS<br>Cat #: 56L45 Model/Part #: 56L4501       | 1        | "IN<br>55+5PSIG,OUT<br>25+5PSIG" |
| HP KIT  | HI PRESS CUTOUT KIT<br>Cat #: 94J46 Model/Part #: LB-87619A | 1        | INC NEXT 2<br>PARTS              |
| LC KIT  | LOSS OF CHARGE KIT<br>Cat #: 94J47 Model/Part #: LB-87620A  | 1        | INC NEXT 2<br>PARTS              |
| ST KIT  | START-KIT<br>Cat #: 10J42 Model/Part #: LB-31200BM          | 1        | INC NEXT 2<br>PARTS              |

## CABINET PARTS

| Callout | Name   | Quantity | Description                     |
|---------|--|----------|---------------------------------|
|         | NUT-CAP<br>Cat #: 85M56 Model/Part #: 100094-01          | 4        | TOP PANEL                       |
|         | PUSH PIN-MESHING<br>Cat #: 42W91 Model/Part #: 100230-06 | 6        | PIN-PUSH                        |
|         | MESHING-COIL<br>Cat #: 26W30 Model/Part #: 100231-09     | 1        | "36"'" X 90"'" (CUT<br>OT FIT)" |
|         | COVER  | 1        | SOUND-                          |

| Callout | Name  | Quantity | Description                        |
|---------|---|----------|------------------------------------|
|         | Cat #: 69J03 Model/Part #: 69J0301                    |          | COMPRESSOR (OPTIONAL)              |
|         | LEG<br>Cat #: 94J45 Model/Part #: LB-87156A           | 1        | BASE(SET OF 4)                     |
| 1       | PANEL-TOP<br>Cat #: 61W03 Model/Part #: 102420-02     | 1        | PANEL-TOP 24 X 24, DUCANE GRAY     |
| 2       | PANEL-CONTROL<br>Cat #: 61W02 Model/Part #: 102073-02 | 1        | COVER, CONTROL PANEL (DUCANE GRAY) |
| 3       | ORIFICE<br>Cat #: 95M53 Model/Part #: 100001-03       | 1        | "18""                              |
| 4       | GUARD-COIL<br>Cat #: 61W07 Model/Part #: 102465-01    | 1        | GUARD-OUTDOOR COIL                 |

## CONTROL PANEL PARTS

| Callout | Name  | Quantity | Description      |
|---------|---|----------|------------------|
| C12     | CAPACITOR-FANandRUN 30 / 5 MFD @ 440V R<br>Cat #: 89M71 Model/Part #: 100335-03 | 1        | "30+5MFD,440VAC" |
| K1      | CONTACTOR<br>Cat #: 95M55 Model/Part #: 100438-01                               | 1        | "SPST,24V"       |

## COOLING PARTS

| Callout | Name   | Quantity | Description                  |
|---------|--|----------|------------------------------|
|         | RELAY-OVERLOAD COMP-INTERNAL<br>Cat #: Model/Part #:   | 1        |                              |
|         | KIT<br>Cat #: 10W95 Model/Part #: 100484-07            | 1        | RFC (.055)                   |
|         | DRIER<br>Cat #: 12L71 Model/Part #: 12L7101            | 1        | LIQUID LINE(OPT REPLACEMENT) |
|         | MOUNT PKG-COMP<br>Cat #: 54M63 Model/Part #: 15J1301PR | 1        | MOUNT PKG-COMP               |
|         | HARNESS-COMPRESSOR                                     | 1        | MOLDED PLUG                  |

| <b>Callout</b> | <b>Name</b>  | <b>Quantity</b> | <b>Description</b>                |
|----------------|--|-----------------|-----------------------------------|
|                | Cat #: 15M35 Model/Part #: 15M3501                       |                 |                                   |
|                | DRIER<br>Cat #: 88K44 Model/Part #: 88K4401              | 1               | SUCTION LINE(OPT<br>REPLACEMENT)  |
| 10             | COIL-OUTDOOR<br>Cat #: 36W51 Model/Part #: LB-87170DL    | 1               | W/MANIFOLD                        |
| 11             | VALVE-SERVICE<br>Cat #: 10W32 Model/Part #: 100432-01    | 1               | "LIQUID-LINE,3/8""                |
| 12             | VALVE-SERVICE<br>Cat #: 10W33 Model/Part #: 100432-02    | 1               | "SUCTION LINE,3/4""               |
| 13             | FAN<br>Cat #: 98M18 Model/Part #: 100060-07              | 1               | "1/2""BORE,18""DIA,3<br>BLADE"    |
| B1             | COMPRESSOR<br>Cat #: 89M19 Model/Part #: 100052-01       | 1               | "1.5 TON,208-<br>230/60/1,COPE"   |
| B4             | MOTOR-FAN<br>Cat #: 47W86 Model/Part #: 100483-23        | 1               | "1/10HP,1075RPM,208-<br>230/60/1" |
| HR1            | HEATER-CRANKCASE<br>Cat #: 93M04 Model/Part #: 100499-01 | 1               | "40 WATT, 240 VOLT<br>(OPTIONAL)" |

**Note:**

There are no technical notes for this product.