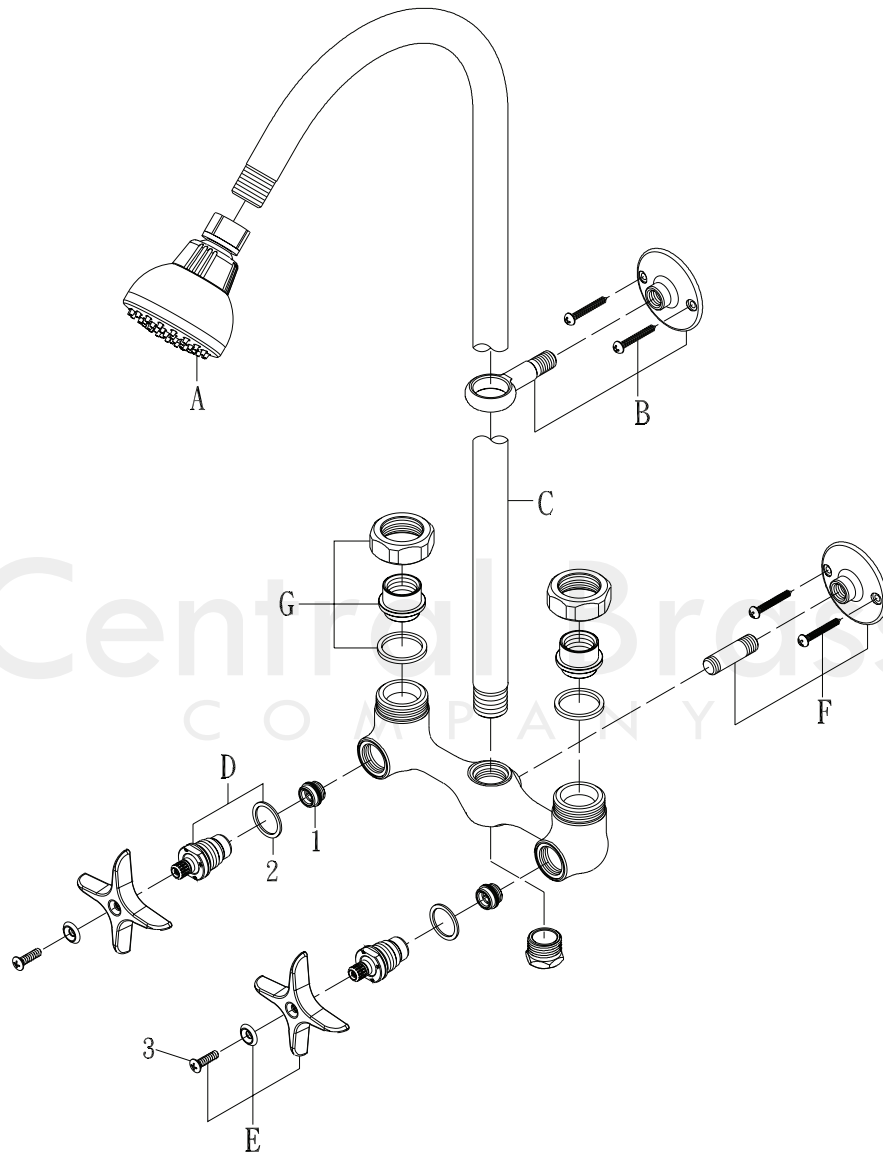


MODEL# 1379, 1379-L, 1380, 1380-L

Commerce, CA 90040  
 Fax: 323.888.9515  
 Email: sales@centralbrass.com  
 www.centralbrass.com



ITEM#	DESCRIPTION	ITEM#	DESCRIPTION
A	OP-640053 [Not for "-L" Suffix] 1.5 GPM Shower Head	F	CS-55003 Wall Mount Kit
B	G-3131 [Not for "-L" Suffix] Wall Bracket Group	G	CS-49032-CP 2 Combo Union Nuts & Sleeve (Polished Chrome)
C	PF-714-RT [Not for "-L" Suffix] Brass Shower Riser 22-1/2"	1	X263-BC Seat - 10/PK
D	G-454-ERRC Stem Assembly W/ Gasket-rough Chrome	2	X1028-Y Nylon Gasket - 25/PK
E	G-1045-SC, SH 4-Arm Handle W/ Screw	3	X107-F Oval Head Handle Screw Philips - 25/PK