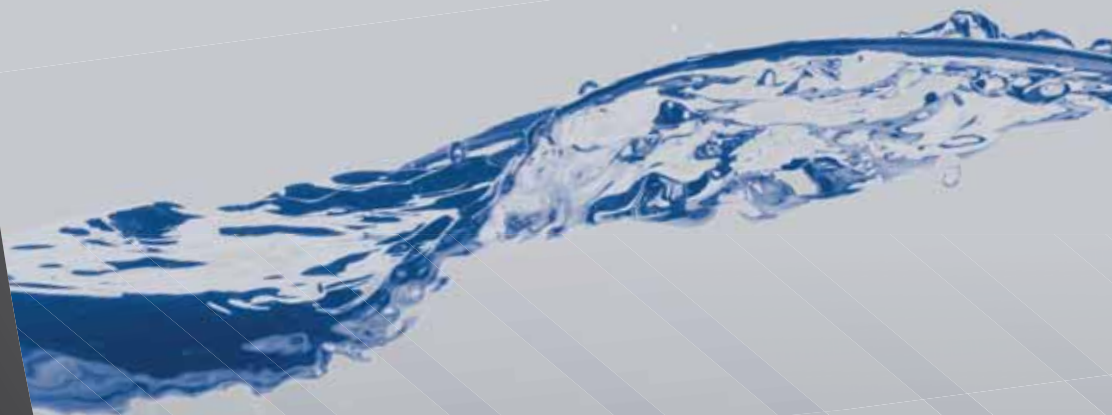


2012 PRODUCT CATALOG

Webstone

VALVE INNOVATION

**QUALITY AND COMMITMENT
TO TECHNOLOGY AND SERVICE SINCE 1954**



The ISOLATOR
UNI-FLANGE BALL VALVE®

PRO-PAL
S E R I E S

The ISOLATOR®
E·X·P
TWH SERVICE VALVES

HYDRO-CORE
™

PRO-CONNECT
VALVES & FITTINGS



The Isolator® Uni-Flange Ball Valve

Full Port Forged Brass Ball Valves
w/ Adjustable Packing Gland, Bonus Wing Style "T" Handle, Nuts & Bolts

600 WOG
ISO 9001



ITEM #	SIZE	P/CARTON	P/CASE	WT/CASE
IPS × Flange				
40402	1/2"	2	20	30
40403	3/4"	2	20	34
40404	1"	2	20	41
40405	1 1/4"	2	20	47
40406	1 1/2"	2	20	63
40407HV	2"	2	10	42
SWT × Flange				
50402	1/2"	2	20	30
50403	3/4"	2	20	34
50404	1"	2	20	40
50405	1 1/4"	2	20	48
50406	1 1/2"	2	20	66
50407HV	2"	2	10	43

1" - 1 1/2" also available for High Velocity Pumps — to order, add HV onto the end of the part #.
2" Available in High Velocity only, also fits standard size pumps.



The Isolator® w/ Drain

Full Port Forged Brass Uni-Flange Ball Valves w/ Hi-Flow Hose Drain,
Adjustable Packing Gland, Bonus Wing Style "T" Handle, Nuts & Bolts

600 WOG
ISO 9001



ITEM #	SIZE	P/CARTON	P/CASE	WT/CASE
IPS × Flange				
40413	3/4"	2	20	47
40414	1"	2	20	54
40415	1 1/4"	2	20	68
40416	1 1/2"	2	10	43
40417HV	2"	1	10	62
SWT × Flange				
50413	3/4"	2	20	47
50414	1"	2	20	56
50415	1 1/4"	2	20	71
50416	1 1/2"	2	10	46
50417HV	2"	1	10	64

1" - 1 1/2" also available for High Velocity Pumps — to order, add HV onto the end of the part #.
2" Available in High Velocity only, also fits standard size pumps.



The Isolator® w/ Rotating Flange

Full Port Forged Brass Uni-Flange Ball Valves w/ Detachable Rotating Flange,
Adjustable Packing Gland, Bonus Wing Style "T" Handle, Nuts & Bolts

600 WOG
ISO 9001



ITEM #	SIZE	P/CARTON	P/CASE	WT/CASE
IPS × Rotating Flange				
41403	3/4"	2	20	34
41404	1"	2	20	43
41405	1 1/4"	2	20	52
41406	1 1/2"	2	20	54
SWT × Rotating Flange				
51403	3/4"	2	20	34
51404	1"	2	20	43
51405	1 1/4"	2	20	52
51406	1 1/2"	2	20	52

Also available for High Velocity Pumps — to order, add HV onto the end of the part #.



The Isolator® w/ Rotating Flange & Multi-Function Drain

Full Port Forged Brass Uni-Flange Ball Valves w/ Detachable Rotating Flange,
Multi-Function Drain, Adjustable Packing Gland, Nuts & Bolts

600 WOG
ISO 9001



ITEM #	SIZE	P/CARTON	P/CASE	WT/CASE
IPS × Rotating Flange				
41413	3/4"	2	20	47
41414	1"	2	20	57
41415	1 1/4"	2	20	78
41416	1 1/2"	2	10	39
SWT × Rotating Flange				
51413	3/4"	2	20	47
51414	1"	2	20	58
51415	1 1/4"	2	20	77
51416	1 1/2"	2	10	38

Also available for High Velocity Pumps — to order, add HV onto the end of the part #.



The Isolator® Check Valve

Full Port Forged Brass Uni-Flange Ball Valves, w/ Replaceable Integral Spring Check, Adjustable Packing Gland, Bonus Lever Style Handle, Nuts & Bolts

150 PSI @ 200°F
ISO 9001



ITEM #	SIZE	P/CARTON	P/CASE	WT/CASE
IPS × Flange				
42403	3/4"	1	10	22
42404	1"	1	10	27
42405	1 1/4"	1	10	32
42406	1 1/2"	1	10	44
SWT × Flange				
52403	3/4"	1	10	22
52404	1"	1	10	28
52405	1 1/4"	1	10	32
52406	1 1/2"	1	10	44

1" - 1 1/2" also available for High Velocity Pumps — to order, add HV onto the end of the part #.



The Isolator® Check Valve w/ Rotating Flange

Full Port Forged Brass Uni-Flange Ball Valves, w/ Replaceable Integral Spring Check, Detachable Rotating Flange, Adjustable Packing Gland, Bonus Lever Style Handle, Nuts & Bolts

150 PSI @ 200°F
ISO 9001



ITEM #	SIZE	P/CARTON	P/CASE	WT/CASE
IPS × Rotating Flange				
43403	3/4"	1	10	20
43404	1"	1	10	24
43405	1 1/4"	1	10	29
43406	1 1/2"	1	10	40
SWT × Rotating Flange				
53403	3/4"	1	10	20
53404	1"	1	10	24
53405	1 1/4"	1	10	29
53406	1 1/2"	1	10	40

Also available for High Velocity Pumps — to order, add HV onto the end of the part #.



The Isolator® Double Flanged Check

Forged Brass Check Valve w/ Rotating Flange End
Includes One Set of Mounting Bolts & Full Faced Flange Gasket

150 PSI @ 200°F
ISO 9001



ITEM #	SIZE	P/CARTON	P/CASE	WT/CASE
Flange × Rotating Flange				
13706HV	1 1/2" or 2"	1	10	23



The Isolator® Circulator Pump Installation Kit

Your choice of Isolator and Isolator w/ Drain with 2 Full-Faced Flange Gaskets & Bonus Wing Style "T" Handle(s), Nuts & Bolts

600 WOG
ISO 9001



ITEM #	SIZE	P/CARTON	P/CASE	WT/CASE
THE ISOLATOR® CIRCULATOR PUMP INSTALLATION KIT				
IPS × Flange				
40413KIT	3/4"	1	10	40
40414KIT	1"	1	10	47
40415KIT	1 1/4"	1	10	57
SWT × Flange				
50413KIT	3/4"	1	10	40
50414KIT	1"	1	10	48
50415KIT	1 1/4"	1	10	59
THE ISOLATOR® W/ ROTATING FLANGE CIRCULATOR PUMP INSTALLATION KIT				
IPS × Rotating Flange				
41413KIT	3/4"	1	10	38
41414KIT	1"	1	10	49
41415KIT	1 1/4"	1	10	60
SWT × Rotating Flange				
51413KIT	3/4"	1	10	37
51414KIT	1"	1	10	47
51415KIT	1 1/4"	1	10	60

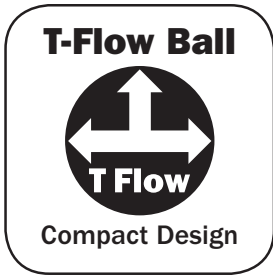
Also available for High Velocity Pumps — to order, add HV onto the end of the part # before "KIT".



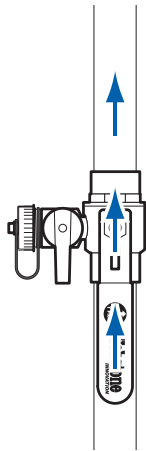
The Isolator® Check Valve Accessories



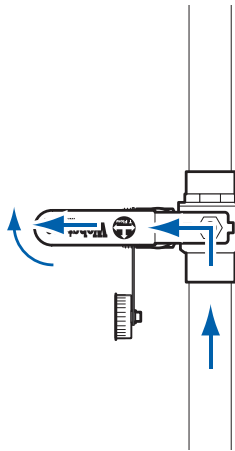
ITEM #	FITS VALVE SIZE	P/CARTON	P/CASE	WT/CASE
REPLACEMENT INTEGRAL CHECK				
C42403	3/4"	BULK	BULK	BULK
C42404	1"	BULK	BULK	BULK
C42405	1 1/4"	BULK	BULK	BULK
C42406	1 1/2"	BULK	BULK	BULK
RETAINING RING				
RR42403	3/4"	BULK	BULK	BULK
RR42404	1"	BULK	BULK	BULK
RR42405	1 1/4"	BULK	BULK	BULK
RR42406	1 1/2"	BULK	BULK	BULK



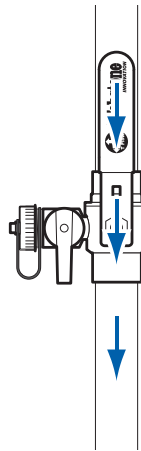
Reversible handle directs flow into the **hi-flow** hose drain from either side of the ball



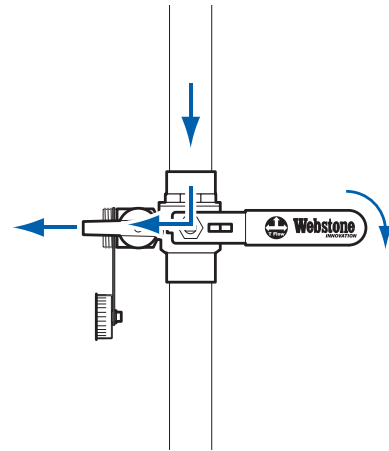
Normal Handle Open Position



Normal Handle Closed Position



Reversed Handle Open Position



Reversed Handle Closed Position



Ball Drain™

Full Port Forged Brass Ball Valves w/ Hi-Flow Hose Drain, Adjustable Packing Gland & Reversible Handle

**600 WOG
ISO 9001**



ITEM #	SIZE	P/CARTON	P/CASE	WT/CASE
IPS				
40612	1/2"	6	36	31
40613	3/4"	6	36	40
40614	1"	4	24	40
40615	1 1/4"	2	12	30
40616	1 1/2"	2	12	40
40617	2"	1	6	28
C×C				
50612	1/2"	6	36	30
50613	3/4"	6	36	40
50614	1"	4	24	40
50615	1 1/4"	2	12	27
50616	1 1/2"	2	12	41
50617	2"	1	6	30
SWT × IPS				
54612	1/2"	6	36	30
54613	3/4"	6	36	40
54614	1"	4	24	40



Union Ball Drain™

Full Port Forged Brass Ball Valves w/ Single Union End & Hi-Flow Hose Drain, Adjustable Packing Gland & Reversible Handle

**600 WOG
ISO 9001**



ITEM #	SIZE	P/CARTON	P/CASE	WT/CASE
IPS Union × IPS × Hose				
40433	3/4"	6	24	50
40434	1"	4	16	47
40435	1 1/4"	2	12	45
40436	1 1/2"	2	8	38
IPS Union × SWT × Hose				
50433	3/4"	6	24	51
50434	1"	4	16	48
50435	1 1/4"	2	12	45
50436	1 1/2"	2	8	38



Purge & Fill™

Full Port Forged Brass Ball Valves w/ (2) 3/4" Hi-Flow Hose Drains, Adjustable Packing Gland & Reversible Handle

**600 WOG
ISO 9001**



ITEM #	SIZE	P/CARTON	P/CASE	WT/CASE
IPS				
48613	3/4"	1	12	21
48614	1"	1	12	29
48615	1 1/4"	1	12	40
48616	1 1/2"	1	12	56
SWT				
58613	3/4"	1	12	22
58614	1"	1	12	29
58615	1 1/4"	1	12	40
58616	1 1/2"	1	12	55



Purge-Tee™

Full Port Forged Brass Ball Valves – Primary/Secondary Loop Purge Tee, Adjustable Packing Gland & Reversible Handle

**600 WOG
ISO 9001**



ITEM #	SIZE	P/CARTON	P/CASE	WT/CASE
C×C (1" Primary Loop)				
58643	1" × 3/4"	1	12	32
58644	1" × 1"	1	12	35
C×C (1 1/4" Primary Loop)				
58652	1 1/4" × 1/2"	1	12	42
58653	1 1/4" × 3/4"	1	12	46
58654	1 1/4" × 1"	1	12	50
58655	1 1/4" × 1 1/4"	1	12	53
C×C (1 1/2" Primary Loop)				
58662	1 1/2" × 1/2"	1	12	62
58663	1 1/2" × 3/4"	1	12	65
58664	1 1/2" × 1"	1	12	70



T-Drain™

Full Port Forged Brass Fitting w/ Hi-Flow Hose Drain

**600 WOG
ISO 9001**



ITEM #	SIZE	P/CARTON	P/CASE	WT/CASE
IPS				
40672	1/2"	10	80	50
40673	3/4"	8	48	47
40674	1"	8	48	54
40675	1 1/4"	6	24	34
40676	1 1/2"	4	24	39
40677	2"	2	20	42
C×C				
50672	1/2"	10	80	49
50673	3/4"	8	48	44
50674	1"	8	48	50
50675	1 1/4"	6	24	28
50676	1 1/2"	4	24	32
50677	2"	2	20	42



Expansion Tank Pro Service Valve™

Full Port Forged Brass Ball Valves w/ Hi-Flow Hose Drain

**600 WOG
ISO 9001**



ITEM #	SIZE	P/CARTON	P/CASE	WT/CASE
FIP × MIP × FIP × Hose				
41672	1/2"	1	30	26



**IDEAL FOR USE WITH THE
WEBSTONE AIR SEPARATOR**



Forged Brass Hydronic Valve Manifolds

Closely Spaced Tees w/ (2) Full Port Isolation Valves, Hi-Flow Hose Drains & Adjustable Packing Glands
Requires Matching Hydro-Core Union Connection(s)

600 WOG
ISO 9001



RIGHT FLANGE MANIFOLDS • REQUIRES (1) HYDRO-CORE UNION CONNECTION

ITEM #	RUN SIZE	VALVE SIZE	CTN/CS	WT/CASE
FIP				
48754-0	1 1/4"	1"	1/6	40
48764-0	1 1/2"	1"	1/6	43
48755-0	1 1/4"	1 1/4"	1/6	56
48765-0	1 1/2"	1 1/4"	1/6	53
48766-0	1 1/2"	1 1/2"	1/4	42
SWT				
58744-0	1"	1"	1/6	40
58754-0	1 1/4"	1"	1/6	39
58764-0	1 1/2"	1"	1/6	41
58774-0	2"	1"	1/4	28
58755-0	1 1/4"	1 1/4"	1/6	51
58765-0	1 1/2"	1 1/4"	1/6	52
58775-0	2"	1 1/4"	1/4	36
58766-0	1 1/2"	1 1/2"	1/4	41
58776-0	2"	1 1/2"	1/4	44

LEFT FLANGE MANIFOLDS • REQUIRES (1) HYDRO-CORE UNION CONNECTION

ITEM #	RUN SIZE	VALVE SIZE	CTN/CS	WT/CASE
FIP				
48854-0	1 1/4"	1"	1/6	40
48864-0	1 1/2"	1"	1/6	43
48855-0	1 1/4"	1 1/4"	1/6	56
48865-0	1 1/2"	1 1/4"	1/6	53
SWT				
58854-0	1 1/4"	1"	1/6	39
58864-0	1 1/2"	1"	1/6	41
58855-0	1 1/4"	1 1/4"	1/6	51
58865-0	1 1/2"	1 1/4"	1/6	49

DOUBLE BALL DRAIN MANIFOLDS • REQUIRES (2) HYDRO-CORE UNION CONNECTIONS

ITEM #	RUN SIZE	VALVE SIZE	CTN/CS	WT/CASE
FIP				
48354-0	1 1/4"	1"	1/6	33
SWT				
58354-0	1 1/4"	1"	1/6	33



Hydro-Core Union Connections

Requires Matching Hydro-Core Manifold

ISO 9001



UNION CONNECTION

ITEM #	TAILPIECE SIZE	END SIZE	CTN/CS	WT/CASE
FIP				
HCE4-43	3/4"	1"	6/24	14
HCE4-44	1"	1"	6/24	11
HCE5-44	1"	1 1/4"	6/24	20
HCE5-45	1 1/4"	1 1/4"	6/24	15
SWT				
HCE4-53	3/4"	1"	6/24	11
HCE4-54	1"	1"	6/24	11
HCE5-54	1"	1 1/4"	6/24	16
HCE5-55	1 1/4"	1 1/4"	6/24	16
HCE6-56	1 1/2"	1 1/2"	4/24	22

UNION CONNECTION W/ 1/4" NPT GAUGE PORT (PLUGGED)

ITEM #	TAILPIECE SIZE	END SIZE	CTN/CS	WT/CASE
FIP				
HCE4-63	3/4"	1"	6/24	24
HCE4-64	1"	1"	6/24	22
HCE5-64	1"	1 1/4"	6/24	36
HCE5-65	1 1/4"	1 1/4"	6/24	37
SWT				
HCE4-73	3/4"	1"	6/24	18
HCE4-74	1"	1"	6/24	18
HCE5-74	1"	1 1/4"	6/24	26
HCE5-75	1 1/4"	1 1/4"	6/24	26

UNION CONNECTION W/ MULTIPLE DEVICE PORTS

PLUGGED CONNECTIONS FOR (2) 3/4" DEVICES OR (1) 3/4" DEVICE & (1) 1/4" PRESSURE GAUGE

ITEM #	TAILPIECE SIZE	END SIZE	CTN/CS	WT/CASE
SWT				
HCE4-94	1"	1"	6/24	27

STAINLESS STEEL LIQUID FILLED DUAL SCALE PRESSURE GAUGE

2" DIAL w/ CENTER BACK CONNECTION 30 PSI

ITEM #	SIZE	P/CARTON	P/CASE	WT/CASE
31000	1/4" NPT	1	100	38



Hydro-Core Pump Connections

ISO 9001



ROTATING FLANGE

ITEM #	SIZE	CTN/CS	WT/CASE
SWT			
RF4-54	1"	6/24	24
RF5-55	1 1/4"	6/24	25

ROTATING FLANGE W/ "Y" STRAINER

ITEM #	SIZE	CTN/CS	WT/CASE
SWT			
FSTR4-54	1"	6/24	41
FSTR5-55	1 1/4"	6/24	46



Hydro-Core Complete Near Boiler Piping Kits

Fully Fabricated & Insulated Supply & Return Lines • Requires Matching Hydro-Core Manifold • Includes Union Connection

ISO 9001



FOR FLOOR MOUNT BOILERS

ITEM #	FITS	UNION CONNECTION	CTN/CS	WT/CASE
NBP4-080	Burnham ALP080/Lochinvar KBN081	1"	1/6	49
NBP4-105	Burnham ALP105/Lochinvar KBN106	1"	1/6	47
NBP4-150	Burnham ALP150/Lochinvar KBN151	1"	1/6	50
NBP4-210	Burnham ALP210/Lochinvar KBN211	1"	1/6	50

FOR WALL HUNG BOILERS

ITEM #	FITS	UNION CONNECTION	CTN/CS	WT/CASE
NBP4-WBN	Lochinvar WBN051/081/106/151/211	1"	1/6	44
NBP4-WHN	Lochinvar WHN055/085/110/155	1"	1/6	40



Hydro-Core Near Boiler Component Kits

Requires Matching Hydro-Core Manifold • Includes Union Connection

ISO 9001

FOR FLOOR STANDING MODELS

INCLUDES: (2) BOILER CONNECTION FITTINGS, (1) ROTATING FLANGE "Y" STRAINER, (1) UNION CONNECTION W/ 1/4" PLUGGED NPT GAUGE PORT

FLOOR STANDING / SIDE MOUNT KIT 1 FLOOR STANDING / SIDE MOUNT KIT 2 FLOOR STANDING / SIDE MOUNT KIT 3



ITEM #	TAILPIECE CONNECTION	UNION CONNECTION	CTN/CS	WT/CASE
Floor Standing / Side Mount Kit 1				
FS-144	1" FIP	1"	1/6	34
FS-184	1" MIP	1"	1/6	36
FS-145	1 1/4" FIP	1 1/4"	1/6	47
FS-185	1 1/4" MIP	1 1/4"	1/6	52
Floor Standing / Side Mount Kit 2				
FS-245	1 1/4" FIP	1 1/4"	1/6	44
Floor Standing / Side Mount Kit 3				
FS-345	1 1/4" FIP	1 1/4"	1/6	51
Floor Standing / Top Mount Kit 1				
FT-144	1" FIP	1"	1/6	32
Floor Standing / Top Mount Kit 2				
FT-245	1 1/4" FIP	1 1/4"	1/6	47
FT-2R45	1" FIP	1 1/4"	1/6	49
Floor Standing / Top Mount Kit 3				
FT-344	1" FIP	1"	1/6	23

FLOOR STANDING / TOP MOUNT KIT 1 FLOOR STANDING / TOP MOUNT KIT 2 FLOOR STANDING / TOP MOUNT KIT 3



FOR WALL HUNG MODELS

INCLUDES: (2) BOILER CONNECTION FITTINGS, (1) ROTATING FLANGE (1) UNION CONNECTION W/ 1/4" PLUGGED NPT GAUGE PORT

WALL HUNG KIT 1 WALL HUNG KIT 2 WALL HUNG KIT 3



ITEM #	TAILPIECE CONNECTION	UNION CONNECTION	CTN/CS	WT/CASE
Wall Hung Kit 1				
WH-144	1" FIP	1"	1/6	28
WH-154	1" SWT	1"	1/6	28
WH-1R44	3/4" FIP	1"	1/6	29
Wall Hung Kit 2				
WH-245	1 1/4" FIP	1 1/4"	1/6	42
WH-255	1 1/4" SWT	1 1/4"	1/6	42
Wall Hung Kit 3				
WH-345	1 1/4" FIP	1 1/4"	1/6	42



INSTALLATION KITS AVAILABLE TO FIT OVER 165 DIFFERENT BOILERS FROM:

BAXI • BIASI • BOSCH • BURNHAM • CROWN BOILER • ECR - DUNKIRK • ECR - UTICA
 HAMILTON ENGINEERING • HEAT TRANSFER PRODUCTS • IBC TECHNOLOGIES • LAARS
 LOCHINVAR • NAVIEN • NORITZ • NY THERMAL INC • PEERLESS • PENSOTTI • RAYPAK • SIME
 SLANT FIN • TRIANGLE TUBE • VISSMANN • WEIL-MCLAIN • WILLIAMSON-THERMOFLO

COMPATIBILITY LIST ONLINE AT WWW.WEBSTONEVALVES.COM/HYDROCORE

Forged Brass Air Separator

w/ Removable Vent Head & Coalescing Medium

150 PSI
ISO 9001



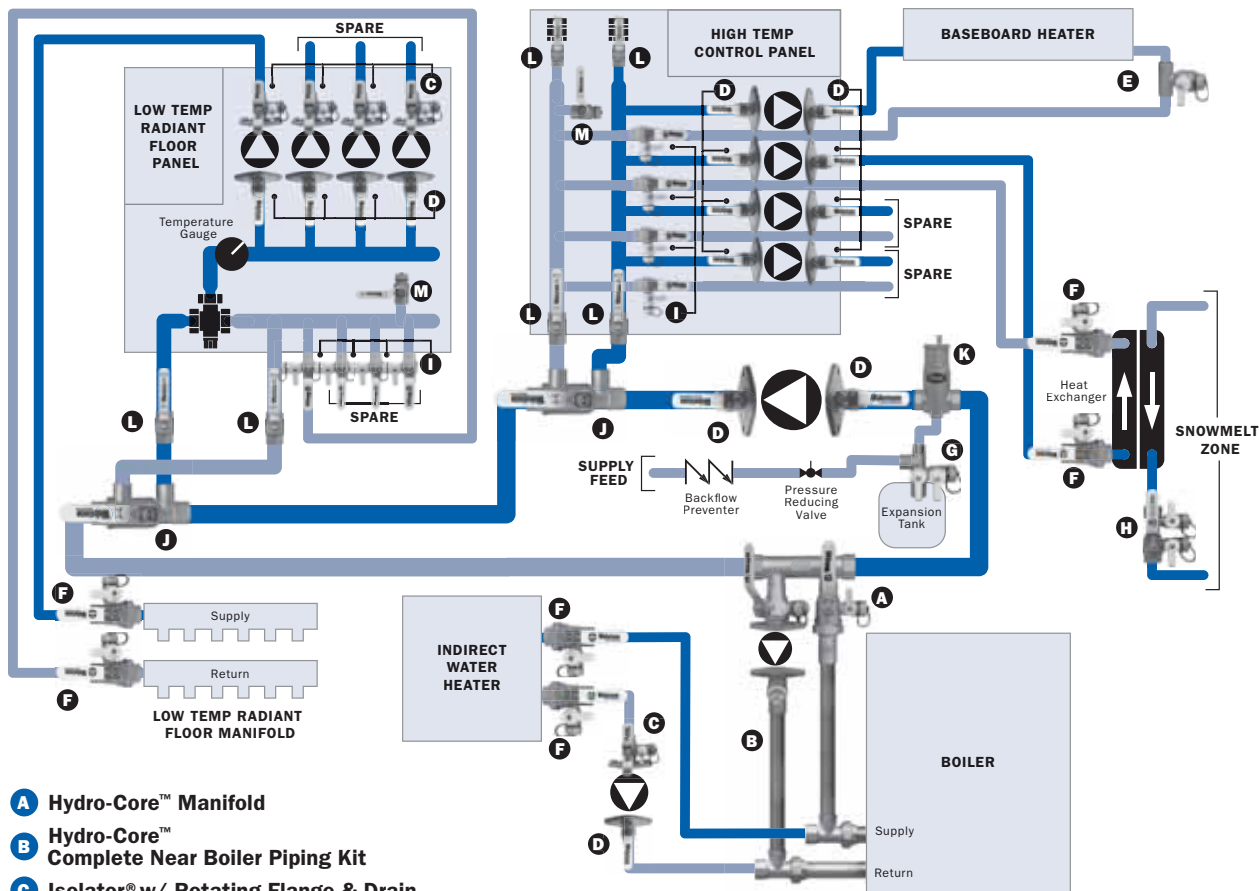
ITEM #	SIZE	P/CARTON	P/CASE	WT/CASE
IPS				
74003	3/4"	1	10	27
74004	1"	1	10	28
74005	1 1/4"	1	10	29
74006	1 1/2"	1	10	66
74007	2"	1	10	69
SWT				
75003	3/4"	1	10	28
75004	1"	1	10	28
75005	1 1/4"	1	10	28
75006	1 1/2"	1	10	68
75007	2"	1	10	67

Replacement Vent Assembly



ITEM #	FITS	P/CARTON	P/CASE	WT/CASE
74000	3/4"-2" Air Separators	1	50	13

WHERE WOULD YOU USE WEBSTONE?



- A** Hydro-Core™ Manifold
- B** Hydro-Core™ Complete Near Boiler Piping Kit
- C** Isolator® w/ Rotating Flange & Drain
- D** Isolator® w/ Rotating Flange
- E** T-Drain™
- F** Union Ball Drain™
- G** Expansion Tank Pro Service Valve™
- H** Purge & Fill™
- I** Ball Drain™
- J** Purge Tee™
- K** Air Separator
- L** Brass Ball Valve
- M** Ball Valve w/ Hose End

ADVANTAGES TO COMPLETE INSTALLATION

- **Total Leak Paths Avoided: 137**
- **Total Estimated Labor Savings: 20 hours, 33 minutes**



The Isolator® E-X-P™

Tankless Water Heater Service Valve Kits • Hot & Cold Set of Full Port Forged Brass Ball Valves w/ Hi-Flow Drains, Pressure Relief Valve Outlet & Adjustable Packing Gland

**600 WOG
ISO 9001**



Certified to NSF/ANSI 61-8



Certified to NSF/ANSI 61-8



Certified to NSF/ANSI 61-8

ITEM #	SIZE	P/CARTON	P/CASE	WT/CASE
IPS Union x IPS				
40443	3/4"	1	8	45
IPS Union x SWT				
50443	3/4"	1	8	44
IPS Union x Push-On				
60443	3/4"	1	8	51
INCLUDES RESIDENTIAL PRESSURE RELIEF VALVE (150 PSI/200,000 BTU)				
IPS Union x IPS				
40443PR	3/4"	1	8	50
IPS Union x SWT				
50443PR	3/4"	1	8	50
IPS Union x Push-On				
60443PR	3/4"	1	8	56
INCLUDES COMMERCIAL GRADE PRESSURE RELIEF VALVE (150 PSI/2,703,000 BTU) & CLOSE NIPPLE				
IPS Union x IPS				
40443PR2	3/4"	1	6	38
IPS Union x SWT				
50443PR2	3/4"	1	6	38
IPS Union x Push-On				
60443PR2	3/4"	1	6	42

Certification covers hot and cold service valves only



The Isolator® E-X-P E2™

Tankless Water Heater Service Valve Kits • Hot & Cold Set of Full Port Forged Brass Ball Valves w/ Hi-Flow Drains, Pressure Relief Valve Outlet & Adjustable Packing Gland

**500 WOG
ISO 9001**



Certified to NSF/ANSI 61-8



Certified to NSF/ANSI 61-8



Certified to NSF/ANSI 61-8

ITEM #	SIZE	P/CARTON	P/CASE	WT/CASE
INCLUDES RESIDENTIAL PRESSURE RELIEF VALVE (150 PSI/200,000 BTU)				
IPS Union x IPS				
44443PR	3/4"	1	10	36
44444PR	1"	1	10	64
IPS Union x SWT				
54443PR	3/4"	1	10	41
54444PR	1"	1	10	64
INCLUDES RESIDENTIAL PRESSURE RELIEF VALVE (30 PSI/200,000 BTU)				
IPS Union x IPS				
44443PR3	3/4"	1	10	34
44444PR3	1"	1	10	64
IPS Union x SWT				
54443PR3	3/4"	1	10	34
54444PR3	1"	1	10	64
INCLUDES COMMERCIAL GRADE PRESSURE RELIEF VALVE (150 PSI/2,703,000 BTU) & CLOSE NIPPLE				
IPS Union x IPS				
44443PR2	3/4"	1	10	44
44444PR2	1"	1	10	72
IPS Union x SWT				
54443PR2	3/4"	1	10	49
54444PR2	1"	1	10	74

Certification covers hot and cold service valves only



The Isolator® E-X-P E2™ w/ LEAD FREE CLEANBRASS CONSTRUCTION

Tankless Water Heater Service Valve Kits • Hot & Cold Set of Full Port Forged Brass Ball Valves w/ Hi-Flow Drains, Pressure Relief Valve Outlet & Adjustable Packing Gland

**500 WOG
ISO 9001**



LEAD FREE CLEAN BRASS
THE CLEAR CHOICE FOR THE PROFESSIONAL
Certified to NSF/ANSI 61-8
Complies w/ NSF/ANSI 61-ANNEX G



LEAD FREE CLEAN BRASS
THE CLEAR CHOICE FOR THE PROFESSIONAL
Certified to NSF/ANSI 61-8
Complies w/ NSF/ANSI 61-ANNEX G



LEAD FREE CLEAN BRASS
THE CLEAR CHOICE FOR THE PROFESSIONAL
Certified to NSF/ANSI 61-8
Complies w/ NSF/ANSI 61-ANNEX G

ITEM #	SIZE	P/CARTON	P/CASE	WT/CASE
INCLUDES RESIDENTIAL PRESSURE RELIEF VALVE (150 PSI/200,000 BTU)				
IPS Union x IPS				
44043PR	3/4"	1	10	36
44044PR	1"	1	10	64
IPS Union x SWT				
54043PR	3/4"	1	10	41
54044PR	1"	1	10	64
INCLUDES LEAD FREE RESIDENTIAL PRESSURE RELIEF VALVE (150 PSI/200,000 BTU)				
IPS Union x IPS				
44043PR-LF	3/4"	1	10	36
IPS Union x SWT				
54043PR-LF	3/4"	1	10	41
INCLUDES COMMERCIAL GRADE PRESSURE RELIEF VALVE (150 PSI/2,703,000 BTU) & CLOSE NIPPLE				
IPS Union x IPS				
44043PR2	3/4"	1	10	44
44044PR2	1"	1	10	72
IPS Union x SWT				
54043PR2	3/4"	1	10	49
54044PR2	1"	1	10	72

Certification covers hot and cold service valves only

CONTINUED ON NEXT PAGE ►►



The Isolator® E-X-P E3™

Tankless Water Heater Service Valve Kits • Hot & Cold Set of Full Port Forged Brass Ball Valves w/ Hi-Flow Drains, Adjustable Pressure Relief Valve Outlet & Adjustable Packing Gland

**500 WOG
ISO 9001**



Certified to NSF/ANSI 61-8

ITEM #	SIZE	P/CARTON	P/CASE	WT/CASE
INCLUDES RESIDENTIAL PRESSURE RELIEF VALVE (150 PSI/200,000 BTU)				
IPS Union x IPS				
45443PR	3/4"	1	10	42
IPS Union x SWT				
55443PR	3/4"	1	10	38



Certified to NSF/ANSI 61-8

ITEM #	SIZE	P/CARTON	P/CASE	WT/CASE
INCLUDES RESIDENTIAL PRESSURE RELIEF VALVE (30 PSI/200,000 BTU)				
IPS Union x IPS				
45443PR3	3/4"	1	10	42
IPS Union x SWT				
55443PR3	3/4"	1	10	38



Certified to NSF/ANSI 61-8

ITEM #	SIZE	P/CARTON	P/CASE	WT/CASE
INCLUDES COMMERCIAL GRADE PRESSURE RELIEF VALVE (150 PSI/2,703,000 BTU) & CLOSE NIPPLE				
IPS Union x IPS				
45443PR2	3/4"	1	10	50
IPS Union x SWT				
55443PR2	3/4"	1	10	46

Certification covers hot and cold service valves only



The Isolator® E-X-P E3™ w/ LEAD FREE CLEANBRASS CONSTRUCTION

Tankless Water Heater Service Valve Kits • Hot & Cold Set of Full Port Forged Brass Ball Valves w/ Hi-Flow Drains, Adjustable Pressure Pressure Relief Valve Outlet & Adjustable Packing Gland

**500 WOG
ISO 9001**



LEAD FREE CLEAN BRASS
THE CLEAR CHOICE FOR THE PROFESSIONAL
Certified to NSF/ANSI 61-8
Complies w/ NSF/ANSI 61-ANNEX G

ITEM #	SIZE	P/CARTON	P/CASE	WT/CASE
INCLUDES RESIDENTIAL PRESSURE RELIEF VALVE (150 PSI/200,000 BTU)				
IPS Union x IPS				
45043PR	3/4"	1	10	47
IPS Union x SWT				
55043PR	3/4"	1	10	44



LEAD FREE CLEAN BRASS
THE CLEAR CHOICE FOR THE PROFESSIONAL
Certified to NSF/ANSI 61-8
Complies w/ NSF/ANSI 61-ANNEX G

ITEM #	SIZE	P/CARTON	P/CASE	WT/CASE
INCLUDES COMMERCIAL GRADE PRESSURE RELIEF VALVE (150 PSI/2,703,000 BTU) & CLOSE NIPPLE				
IPS Union x IPS				
45043PR2	3/4"	1	10	55
IPS Union x SWT				
55043PR2	3/4"	1	10	52

Certification covers hot and cold service valves only

The Isolator® E-X-P™ Tankless Water Heater Service Valves Accessories

ISO 9001



29032

28003

ITEM #	SIZE	P/CARTON	P/CASE	WT/CASE
UNION ADAPTER SET (FITS ORIGINAL EXP)				
29032	3/4" x 1/2"	1	250	63



28023
28023-LF

28013
28014

ITEM #	SIZE	P/CARTON	P/CASE	WT/CASE
PRESSURE RELIEF VALVE RELOCATION ADAPTERS				
28003	3/4" (fits original EXP)	1	100	85
28023	3/4" (fits E2)	1	100	55
28023-LF	3/4" (fits Lead Free E2)	10	40	22



20713
20013
20733

20723

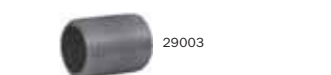
ITEM #	SIZE	P/CARTON	P/CASE	WT/CASE
PUSH FITTINGS				
28013	3/4"	1	100	38
28014	1"	1	100	55

ITEM #	SIZE	P/CARTON	P/CASE	WT/CASE
RESIDENTIAL PRESSURE RELIEF VALVE (150 PSI/200,000 BTU)				
20713	3/4"	1	100	49

ITEM #	SIZE	P/CARTON	P/CASE	WT/CASE
LEAD FREE RESIDENTIAL PRESSURE RELIEF VALVE (150 PSI/200,000 BTU)				
20013	3/4"	1	100	49

ITEM #	SIZE	P/CARTON	P/CASE	WT/CASE
RESIDENTIAL PRESSURE RELIEF VALVE (30 PSI/200,000 BTU)				
20733	3/4"	1	100	49

ITEM #	SIZE	P/CARTON	P/CASE	WT/CASE
COMMERCIAL GRADE PRESSURE RELIEF VALVE (150 PSI/2,703,000 BTU)				
20723	3/4"	1	24	31



29003

ITEM #	SIZE	P/CARTON	P/CASE	WT/CASE
CLOSE NIPPLE				
29003	3/4"	1	100	11

The **ISOLATOR®**
E·X·P
TWH SERVICE VALVES
COMPLETE

A **COMPLETE** SOLUTION
FOR ANY TANKLESS WATER
HEATER **INSTALLATION**

PREMIUM DESIGN



The service valves of your choice, with the accessories you need.

- **High Flow 24" Stainless Steel Gas Connector**
- **Webstone CGA Gas Ball Valve**
- **Residential Pressure Relief Valve (150 PSI / 200,000 BTU)**

The **ISOLATOR®**
E·X·P E2
TWH SERVICE VALVES

SPACE SAVING

AVAILABLE WITH
LEAD FREE
CLEAN BRASS
THE CLEAR CHOICE FOR THE PROFESSIONAL



AVAILABLE WITH
LEAD FREE
CLEAN BRASS
THE CLEAR CHOICE FOR THE PROFESSIONAL

RECESSED BOXES

The **ISOLATOR®**
E·X·P E3
TWH SERVICE VALVES

The **ISOLATOR®**
E·X·P
TWH SERVICE VALVES
COMPLETE

The Isolator® E-X-P Complete™
Tankless Water Heater Installation Kits

ISO 9001

Includes your choice of the EXP, E2 or E3 Service Valves with:
Residential Pressure Relief Valve (150 PSI/200,000 BTU), 3/4" CGA Gas Ball Valve & 24" x 3/4" Gas Flex Line



ITEM #	SIZE	P/CARTON	P/CASE	WT/CASE
THE ISOLATOR® E-X-P™				
IPS Union x IPS				
40443COM	3/4"	1	4	38
IPS Union x SWT				
50443COM	3/4"	1	4	38
THE ISOLATOR® E-X-P E2™				
IPS Union x IPS				
44443COM	3/4"	1	4	28
IPS Union x SWT				
54443COM	3/4"	1	4	31
THE ISOLATOR® E-X-P E2™ W/ LEAD FREE CLEANBRASS CONSTRUCTION				
IPS Union x IPS				
44043COM	3/4"	1	4	28
IPS Union x SWT				
54043COM	3/4"	1	4	31
THE ISOLATOR® E-X-P E3™				
IPS Union x IPS				
45443COM	3/4"	1	4	30
IPS Union x SWT				
55443COM	3/4"	1	4	29
THE ISOLATOR® E-X-P E3™ W/ LEAD FREE CLEANBRASS CONSTRUCTION				
IPS Union x IPS				
45043COM	3/4"	1	4	32
IPS Union x SWT				
55043COM	3/4"	1	4	31



PRO-CONNECT Push™

Full Port Forged Dezincification Resistant Brass Ball Valves w/ Adjustable Packing Gland

200 PSI @ 200°F
ISO 9001



Complies with NSF/ANSI 61-8 & ASSE 1061

ITEM #	SIZE	P/CARTON	P/CASE	WT/CASE
PUSH				
62702	1/2"	10	60	31
62703	3/4"	10	40	29
62704	1"	6	24	32



PRO-CONNECT Push™ Fittings

Forged Dezincification Resistant Brass Fittings

200 PSI @ 200°F
ISO 9001



Complies with NSF/ANSI 61-8 & ASSE 1061



Complies with NSF/ANSI 61-8 & ASSE 1061



Complies with NSF/ANSI 61-8 & ASSE 1061



Complies with NSF/ANSI 61-8 & ASSE 1061



Complies with NSF/ANSI 61-8 & ASSE 1061



Complies with NSF/ANSI 61-8 & ASSE 1061

ITEM #	SIZE	P/CARTON	P/CASE	WT/CASE
STRAIGHT COUPLING				
Push x Push				
26102	1/2"	10	100	17
26103	3/4"	10	100	26
26104	1"	5	50	22
FEMALE STRAIGHT CONNECTOR				
FIP x Push				
26202	1/2"	10	100	14
26203	3/4"	10	100	21
26204	1"	5	50	18
26223	1/2" x 3/4"	10	100	28
Certifications do not apply to 26223				
MALE STRAIGHT CONNECTOR				
MIP x Push				
26302	1/2"	10	100	16
26303	3/4"	10	100	21
26304	1"	5	50	19
90° ELBOW				
Push x Push				
26402	1/2"	10	100	20
26403	3/4"	10	100	35
26404	1"	5	50	31
TEE				
Push x Push x Push				
26502	1/2"	10	100	29
26503	3/4"	10	100	47
26504	1"	5	50	43
END CAP				
Push				
26602	1/2"	10	100	9
26603	3/4"	10	100	15
26604	1"	5	50	13

Contractor Push Fitting Kit

200 PSI @ 200°F
ISO 9001



Includes: Plastic Divided Carrying Case, (2 each) 1/2" Straight Couplings, 3/4" Straight Couplings, 1/2" Female Straight Connectors, 3/4" Female Straight Connectors, 1/2" Male Straight Connectors, 3/4" Male Straight Connectors, 1/2" Elbows, 3/4" Elbows, 1/2" Pex Adapter Sets, 3/4" Pex Adapter Sets, (1 each) 1/2" Tee, 3/4" Tee, 1/2" End Cap, 3/4" End Cap, 1/2" Removal Tool, 3/4" Removal Tool, (6 each) 1/2" Replacement Push Assemblies, 3/4" Replacement Push Assemblies

ITEM #	SIZE	P/CARTON	P/CASE	WT/CASE
26000KIT	NA	1	4	29

Water Heater Installation Kits

Includes: (2) Push x FIP Straight Connectors & Removal Tool

200 PSI @ 200°F
ISO 9001



ITEM #	SIZE	P/CARTON	P/CASE	WT/CASE
26203KIT	3/4"	5	50	28
26223KIT	1/2" x 3/4"	5	50	28

PRO-CONNECT Push™ Accessories

ISO 9001



ITEM #	SIZE	P/CARTON	P/CASE	WT/CASE
REMOVAL TOOL				
28112	1/2"	1	300	2
28113	3/4"	1	300	4
28114	1"	1	250	6
PEX CONNECTION ADAPTER (2 PIECE SET)				
28212	1/2"	1	300	2
28213	3/4"	1	300	4
28214	1"	1	250	3
REPLACEMENT PUSH ASSEMBLY				
28312	1/2"	1	100	1
28313	3/4"	1	100	1
28314	1"	1	100	2



MAKE ANY 1/2" THRU 2" SWT VALVE INTO A PRO-CONNECT UNIVERSAL™

The PRO-CONNECT Universal™ series is a full line of heavy duty brass valves featuring 2" copper tube-sized male extensions ideal for soldering or use with any solder-less crimp systems or quick-connect fittings available on the market today. Any Webstone sweat ball valve, gate valve, check valve, or globe valve sized 1/2" to 2" can be converted to PRO-CONNECT Universal™ according to your needs.

- **Heavy Duty Valves with Pre-Assembled 2" Copper Extensions**
- **Available on Virtually Any Webstone SWT Valve**
- **A Universal Solution for Solder, Crimp, or Push Connections!**
- **100% Tested, Cleaned & Capped**

COMMITMENT TO QUALITY

PRO-CONNECT Universal™ extensions are machine soldered, de-burred, cleaned, polished, and 100% tested assuring a perfect connection every time. Each extension is outfitted with plastic caps to preserve the integrity of the copper right up until installation.

All PRO-CONNECT Universal™ valves are soldered and packaged to order. In most cases, your order will ship within 24 hours, larger orders may take a day or two more.

TO ORDER

Add an "X" and the number of extensions to the end of the part number of the valve you wish to purchase. See Webstone's current List Price Guide and add the appropriate list price per extension to the list price of the valve you wish to purchase.

FOR EXAMPLE

51703X2 is a 3/4" Full Port Brass Ball Valve with extensions on 2 ends. 58644X4 is a 1" x 1" Primary/Secondary Purge Tee with extensions on 4 ends.



Full Port Forged Brass Ball Valves
w/ Adjustable Packing Gland

600 WOG / 150 WSP (400 WOG /125 WSP for 2½" – 4")
ISO 9001



ITEM #	SIZE	P/CARTON	P/CASE	WT/CASE
IPS				
w/ Chrome Plated Lever Handle				
41700	1/4"	10	120	46
41701	3/8"	10	120	44
41702	1/2"	10	100	49
41703	3/4"	10	60	44
41704	1"	6	48	57
41705	1 1/4"	4	32	57
41706	1 1/2"	2	24	66
41707	2"	2	16	62
41708	2 1/2"	2	6	48
41709	3"	1	3	35
41710	4"	1	2	36



w/ 304 Stainless Steel Lever Handle				
41702SSL	1/2"	10	100	49
41703SSL	3/4"	10	60	44
41704SSL	1"	6	48	57
41705SSL	1 1/4"	4	32	57
41706SSL	1 1/2"	2	24	66
41707SSL	2"	2	16	62



w/ Wing Style "T" Handle				
41702T	1/2"	10	100	49
41703T	3/4"	10	60	44
41704T	1"	6	48	57



w/ 304 Stainless Steel Wing Style "T" Handle				
41702SSW	1/2"	10	100	47
41703SSW	3/4"	10	60	41
41704SSW	1"	6	48	54

CxC				
w/ Chrome Plated Lever Handle				
51702	1/2"	10	100	51
51703	3/4"	10	60	46
51704	1"	6	48	62
51705	1 1/4"	4	32	60
51706	1 1/2"	2	24	71
51707	2"	2	12	53
51708	2 1/2"	2	8	57
51709	3"	1	3	33
51710	4"	1	2	41
w/ 304 Stainless Steel Lever Handle				
51702SSL	1/2"	10	100	46
51703SSL	3/4"	10	60	43
51704SSL	1"	6	48	62
51705SSL	1 1/4"	4	32	60
51706SSL	1 1/2"	2	24	71
51707SSL	2"	2	12	53
w/ Wing Style "T" Handle				
51702T	1/2"	10	100	51
51703T	3/4"	10	60	46
51704T	1"	6	48	62
w/ 304 Stainless Steel Wing Style "T" Handle				
51702SSW	1/2"	10	100	51
51703SSW	3/4"	10	60	46
51704SSW	1"	6	48	62

Full Port Forged Brass Ball Valves
w/ Adjustable Packing Gland

600 WOG / 150 WSP
ISO 9001



ITEM #	SIZE	P/CARTON	P/CASE	WT/CASE
IPS				
44702	1/2"	10	100	49
44703	3/4"	10	90	58
44704	1"	4	48	53
44705	1 1/4"	4	36	57
44706	1 1/2"	2	24	55
44707	2"	2	12	41
CxC				
54702	1/2"	10	100	43
54703	3/4"	10	80	58
54704	1"	4	48	52
54705	1 1/4"	4	36	56
54706	1 1/2"	2	24	54
54707	2"	2	12	49

Full Port Forged Brass Ball Valves

w/ CleanBrass Construction & Adjustable Packing Gland

600 WOG / 150 WSP
ISO 9001



ITEM #	SIZE	P/CARTON	P/CASE	WT/CASE
IPS				
47002	1/2"	15	120	60
47003	3/4"	10	60	44
47004	1"	8	48	48
47005	1 1/4"	4	24	41
47006	1 1/2"	2	24	54
47007	2"	2	12	42
C×C				
57002	1/2"	15	120	60
57003	3/4"	10	60	44
57004	1"	8	48	48
57005	1 1/4"	4	24	41
57006	1 1/2"	2	24	54
57007	2"	2	12	42

Full Port Nickel Plated Forged Brass Ball Valves

w/ 304 Stainless Steel Lever Handle & Adjustable Packing Gland

600 WOG / 150 WSP
ISO 9001



ITEM #	SIZE	P/CARTON	P/CASE	WT/CASE
IPS				
40800	1/4"	20	120	43
40801	3/8"	20	120	39
40802	1/2"	20	120	57
40803	3/4"	14	84	59
40804	1"	8	48	56
40805	1 1/4"	6	36	60
40806	1 1/2"	4	24	60
40807	2"	2	16	57

Standard Port Forged Brass Ball Valves

w/ Adjustable Packing Gland

400 WOG / 125 WSP
ISO 9001



ITEM #	SIZE	P/CARTON	P/CASE	WT/CASE
IPS				
41820	1/4"	10	120	42
41821	3/8"	10	120	40
41822	1/2"	10	120	49
41823	3/4"	10	80	44
41824	1"	6	48	46
41825	1 1/4"	4	32	44
41826	1 1/2"	2	24	51
41827	2"	2	16	46
41828	2 1/2"	2	4	26
41829	3"	1	3	31
41830	4"	1	2	31
C×C				
51822	1/2"	10	120	44
51823	3/4"	10	80	42
51824	1"	6	48	49
51825	1 1/4"	4	48	63
51826	1 1/2"	2	32	63
51827	2"	2	20	38

OVER 99% ORDER ACCURACY
SAME DAY SHIPPING
GUARANTEED FOR LIFE

Forged Brass Gas Ball Valves

1/2 to 175 WOG
ISO 9001



ITEM #	SIZE	P/CARTON	P/CASE	WT/CASE
IPS w/ Locking Device				
21562	1/2"	12	144	57
21563	3/4"	12	96	60
IPS w/ T-Handle				
21532	1/2"	12	144	51
21533	3/4"	12	96	55
IPS w/ Square Head				
21542	1/2"	12	144	57
21543	3/4"	12	96	57

Forged Brass Gas Ball Valves

1/2 to 175 WOG
ISO 9001



ITEM #	SIZE	P/CARTON	P/CASE	WT/CASE
IPS				
22561	3/8"	12	144	38
22562	1/2"	12	144	49
22563	3/4"	12	144	73
22564	1"	12	72	66
Flare x FIP				
22521	3/8" x 1/2"	10	120	49
22522	1/2" x 1/2"	10	100	34
21526	5/8" x 3/4"	6	96	57
Flare x Flare				
21550	3/8" x 3/8"	12	144	55
21551	1/2" x 1/2"	12	144	55
Flare x MIP				
21571	3/8" x 1/2"	12	144	51
21572	1/2" x 1/2"	12	144	51

MINI BALL VALVES

Full Port Forged Brass Mini Ball Valves

Pet Cock Style

600 WOG / 125 WSP
ISO 9001



ITEM #	SIZE	P/CARTON	P/CASE	WT/CASE
FIP x MIP				
41685	1/8" x 1/8"	10	100	21
41686	1/4" x 1/8"	10	100	19
41687	1/4" x 1/4"	10	100	20
FIP x FIP				
41698	1/8" x 1/8"	10	100	19
41699	1/4" x 1/4"	10	100	18

Chrome Plated Extruded Brass Mini Ball Valves

Hex Body

110 WOG Non-Shock



ITEM #	SIZE	P/CARTON	P/CASE	WT/CASE
MIP x FIP				
40790	1/8"	50	300	20
40791	1/4"	50	300	25
40792	3/8"	50	300	24
40798	1/2"	12	144	39
IPS				
40793	1/8"	12	144	23
40794	1/4"	50	300	29
40795	3/8"	50	300	24
40796	1/2"	40	240	42
Pex				
40782	1/2"	12	144	31

Full Port Forged Brass Ball Valves

w/ Wing Handle & Adjustable Packing Gland

160 WOG
ISO 9001



ITEM # SWT x PEX	SIZE	P/CARTON	P/CASE	WT/CASE
50682	1/2"	10	100	25

Full Port Forged Brass Ball Valves

3 Way L-Port w/ Adjustable Packing Gland & Reversible Handle

600 WOG / 150 WSP
ISO 9001



ITEM # IPS	SIZE	P/CARTON	P/CASE	WT/CASE
40642	1/2"	15	60	34
40643	3/4"	10	40	32
40644	1"	6	24	34

Full Port Forged Brass Ball Valves

w/ 1/4" Threaded Gauge Hole (Plugged), Adjustable Packing Gland & Reversible Handle

600 WOG / 150 WSP
ISO 9001



ITEM # IPS	SIZE	P/CARTON	P/CASE	WT/CASE
41722	1/2"	10	80	46
41723	3/4"	10	60	50
41724	1"	6	48	63
41725	1 1/4"	4	32	67
41726	1 1/2"	2	24	75
41727	2"	2	16	78

Full Port Forged Brass Ball Valves

w/ Bleeder, Adjustable Packing Gland & Reversible Handle

600 WOG / 150 WSP
ISO 9001



ITEM # IPS	SIZE	P/CARTON	P/CASE	WT/CASE
40622	1/2"	20	80	42
40623	3/4"	12	48	38
40624	1"	8	32	41
ITEM # CxC	SIZE	P/CARTON	P/CASE	WT/CASE
50622	1/2"	25	100	50
50623	3/4"	10	40	32
50624	1"	6	24	32

Full Port Forged Brass Ball Valves

w/ Adjustable Packing Gland & Reversible Handle

600 WOG / 150 WSP
ISO 9001



ITEM # MIP x FIP	SIZE	P/CARTON	P/CASE	WT/CASE
40530	1/4"	12	96	35
40531	3/8"	12	96	35
40532	1/2"	12	96	47
40533	3/4"	8	48	35
40534	1"	6	48	57

Full Port Forged Brass Ball Valves

w/ Adjustable Packing Gland & Reversible Handle

600 WOG / 150 WSP
ISO 9001



ITEM # SWT x FIP	SIZE	P/CARTON	P/CASE	WT/CASE
45702	1/2"	10	100	46
45703	3/4"	5	60	35
45704	1"	5	40	37

3/4" handle is not reversible

Full Port Forged Brass Ball Valves

w/ Compression Ends & Adjustable Packing Gland

600 WOG / 150 WSP
ISO 9001



ITEM # Compression x Compression	SIZE	P/CARTON	P/CASE	WT/CASE
40632	1/2"	25	100	59
40633	3/4"	15	60	55
40634	1"	10	40	58

Full Port Forged Brass Ball Valves

w/ Cap, Strap, Adjustable Packing Gland & Reversible Handle

600 WOG / 150 WSP
ISO 9001



ITEM # FIP x Hose	SIZE	P/CARTON	P/CASE	WT/CASE
40312	1/2" x 3/4"	10	60	41
40313	3/4" x 3/4"	10	60	52
ITEM # SWT x Hose	SIZE	P/CARTON	P/CASE	WT/CASE
50312	1/2" x 3/4"	10	100	69
50313	3/4" x 3/4"	10	60	48

Full Port 316 Stainless Steel Ball Valves

Seal Welded w/ 304 Stainless Steel Locking Handle & Adjustable Packing Gland

2000 WOG
ISO 9001



ITEM #	SIZE	P/CARTON	P/CASE	WT/CASE
IPS				
43710	1/4"	12	48	31
43712	1/2"	10	30	23
43713	3/4"	9	27	49
43714	1"	6	18	52
43715	1 1/4"	2	8	30
43716	1 1/2"	2	8	46
43717	2"	2	6	52

Standard Port 316 Stainless Steel Ball Valves

Seal Welded w/ 304 Stainless Steel Locking Handle & Adjustable Packing Gland

2000 WOG



ITEM #	SIZE	P/CARTON	P/CASE	WT/CASE
IPS				
43814	1"	9	27	49
43817	2"	2	8	45

Full Port 316 Stainless Steel Ball Valves

3 Piece Investment Cast w/ 304 Stainless Steel Locking Handle & Adjustable Packing Gland

1000 WOG / 150 WSP
ISO 9001



ITEM #	SIZE	P/CARTON	P/CASE	WT/CASE
IPS				
43702	1/2"	1	40	40
43703	3/4"	2	24	32
43704	1"	2	24	48
43705	1 1/4"	2	12	44
43706	1 1/2"	2	8	37
43707	2"	2	10	59

Full Port 316 Stainless Steel Ball Valves

2 Piece Investment Cast w/ 304 Stainless Steel Locking Handle & Adjustable Packing Gland

1000 WOG / 150 WSP
ISO 9001



ITEM #	SIZE	P/CARTON	P/CASE	WT/CASE
IPS				
43720	1/4"	2	100	53
43721	3/8"	2	100	49
43722	1/2"	2	80	56
43723	3/4"	2	40	65
43724	1"	2	40	65
43725	1 1/4"	2	20	78
43726	1 1/2"	2	16	63
43727	2"	2	10	51

Full Port 316 Stainless Steel Ball Valves

2 Piece Investment Cast w/ 304 Stainless Steel Oval Handle & Adjustable Packing Gland

1000 WOG / 150 WSP
ISO 9001



ITEM #	SIZE	P/CARTON	P/CASE	WT/CASE
IPS				
43722-OH	1/2"	1	40	40
43723-OH	3/4"	1	30	33
43724-OH	1"	1	20	51

Standard Port 316 Stainless Steel Ball Valves

1 Piece Investment Cast w/ 304 Stainless Steel Locking Handle & Adjustable Packing Gland

1000 WOG / 150 WSP
ISO 9001



ITEM #	SIZE	P/CARTON	P/CASE	WT/CASE
IPS				
43900	1/4"	4	200	26
43901	3/8"	4	200	44
43902	1/2"	2	100	35
43903	3/4"	2	80	42
43904	1"	2	50	40
43905	1 1/4"	2	40	55
43906	1 1/2"	2	30	56
43907	2"	2	30	83

Full Port B62 Bronze Ball Valves

3 Piece Design w/ 304 Stainless Steel Handle & Adjustable Packing Gland

600 WOG / 150 WSP
ISO 9001



ITEM #	SIZE	P/CARTON	P/CASE	WT/CASE
IPS				
43502	1/2"	5	50	62
43503	3/4"	6	36	70
43504	1"	4	24	64
43505	1 1/4"	3	18	65
43506	1 1/2"	2	12	55
43507	2"	2	8	58
C×C				
53502	1/2"	5	50	56
53503	3/4"	6	36	59
53504	1"	4	24	59
53505	1 1/4"	3	18	62
53506	1 1/2"	2	12	55
53507	2"	2	8	58

Full Port B62 Bronze Ball Valves

w/ 304 Stainless Steel Handle & Adjustable Packing Gland

600 WOG / 150 WSP
ISO 9001



ITEM #	SIZE	P/CARTON	P/CASE	WT/CASE
IPS				
40500	1/4"	10	180	36
40501	3/8"	10	180	33
40502	1/2"	10	120	43
40503	3/4"	10	90	46
40504	1"	6	60	50
40505	1 1/4"	4	36	33
40506	1 1/2"	4	24	48
40507	2"	2	12	60
40508	2 1/2"	2	8	73
40509	3"	2	6	81

PVC & CPVC BALL VALVES

Full Port PVC Ball Valves

Fits Both Schedule 40 & 80 Pipe

1/2" - 2" — 230 PSI @ 113° F
2 1/2" - 6" — 150 PSI @ 113° F
ISO 9001



ITEM #	SIZE	P/CARTON	P/CASE	WT/CASE
Socket Ends (White)				
03822	1/2"	1	195	47
03823	3/4"	1	24	42
03824	1"	1	24	13
03825	1 1/4"	1	12	10
03826	1 1/2"	1	12	12
03827	2"	1	25	40
03828	2 1/2"	1	16	67
03829	3"	1	6	23
03830	4"	1	4	42
03831	6"	1	1	21
IPS (White)				
03922	1/2"	1	195	47
03923	3/4"	1	120	42
03924	1"	1	83	45
03925	1 1/4"	1	12	10
03926	1 1/2"	1	12	12
03927	2"	1	25	19
True Union (Grey - includes both IPS & Socket Ends)				
04602	1/2"	1	72	31
04603	3/4"	1	60	26
04604	1"	1	24	18
04605	1 1/4"	1	12	17
04606	1 1/2"	1	12	19
04607	2"	1	12	35

Full Port CPVC Ball Valves

Fits Schedule 40 & 80 CPVC Tubing

230 PSI @ 194° F
ISO 9001



Made w/
NSF Certified
Polymer

ITEM #	SIZE	P/CARTON	P/CASE	WT/CASE
Socket Ends				
03722	1/2"	1	100	15
03723	3/4"	1	100	20
03724	1"	1	100	29
03725	1 1/4"	1	100	58
03726	1 1/2"	1	48	37
03727	2"	1	24	31

Forged Brass Gate Valves

Hard Seat

200 WOG / 125 WSP
ISO 9001



ITEM #	SIZE	P/CARTON	P/CASE	WT/CASE
IPS				
10132	1/2"	10	100	53
10133	3/4"	10	100	71
10134	1"	5	50	53
10135	1 1/4"	5	30	44
10136	1 1/2"	2	30	55
10137	2"	2	20	64
10138	2 1/2"	1	10	49
10139	3"	1	10	71
10140	4"	1	4	51
CxC				
10232	1/2"	10	100	55
10233	3/4"	10	100	66
10234	1"	5	50	51
10235	1 1/4"	5	40	53
10236	1 1/2"	2	30	53
10237	2"	2	20	68

Heavy Pattern Brass Gate Valves

Hard Seat

300 WOG / 150 WSP
ISO 9001



ITEM #	SIZE	P/CARTON	P/CASE	WT/CASE
IPS				
10150	1/4"	10	60	40
10151	3/8"	10	60	37
10152	1/2"	10	60	38
10153	3/4"	10	80	71
10154	1"	5	60	79
10155	1 1/4"	5	40	72
10156	1 1/2"	5	30	72
10157	2"	2	12	44
10158	2 1/2"	1	6	41
10159	3"	1	6	56
10160	4"	1	4	54
CxC				
10252	1/2"	10	60	36
10253	3/4"	10	80	70
10254	1"	5	60	74
10255	1 1/4"	5	40	66
10256	1 1/2"	5	30	68
10257	2"	2	12	40

Heavy Pattern Bronze Gate Valves

Hard Seat

300 WOG/150 WSP
ISO 9001



ITEM #	SIZE	P/CARTON	P/CASE	WT/CASE
IPS				
10102	1/2"	10	100	63
10103	3/4"	6	60	53
10104	1"	5	40	51
10105	1 1/4"	5	30	56
10106	1 1/2"	4	24	57
10107	2"	4	16	58
10108	2 1/2"	2	8	55
10109	3"	1	6	56
10110	4"	1	4	65

CHECK VALVES

B62 Bronze (85-5-5-5) Swing Check Valves

Hard Seat

300 WOG / 150 WSP
ISO 9001



ITEM #	SIZE	P/CARTON	P/CASE	WT/CASE
IPS				
10501	3/8"	10	120	51
10502	1/2"	10	120	52
10503	3/4"	10	80	47
10504	1"	5	60	48
10505	1 1/4"	5	40	56
10506	1 1/2"	5	30	54
10507	2"	2	24	63
10508	2 1/2"	1	12	55
10509	3"	1	8	57
10510	4"	1	4	45

Forged Brass Swing Check Valves Hard Seat

200 WOG / 125 WSP
ISO 9001



ITEM #	SIZE	P/CARTON	P/CASE	WT/CASE
IPS				
10540	1/4"	12	120	50
10541	3/8"	10	120	51
10542	1/2"	10	120	51
10543	3/4"	10	80	45
10544	1"	5	60	55
10545	1 1/4"	5	40	55
10546	1 1/2"	5	30	60
10547	2"	2	12	35
10548	2 1/2"	2	8	42
10549	3"	1	8	67
10550	4"	1	4	50
CxC				
10622	1/2"	10	120	51
10623	3/4"	10	80	48
10624	1"	5	60	56
10625	1 1/4"	5	40	58
10626	1 1/2"	5	30	58
10627	2"	2	24	73

Forged Brass Swing Check Valves Soft Seat

200 WOG / 125 WSP
ISO 9001



ITEM #	SIZE	P/CARTON	P/CASE	WT/CASE
IPS				
10522	1/2"	12	120	53
10523	3/4"	10	80	49
10524	1"	5	60	50
10525	1 1/4"	5	40	57
10526	1 1/2"	5	30	55
10527	2"	2	24	71

Brass In-Line Spring Check Valves 316 Stainless Steel Spring — Celcon Poppet — Soft Seat

300 PSI
ISO 9001



ITEM #	SIZE	P/CARTON	P/CASE	WT/CASE
IPS				
10701	3/8"	60	240	45
10702	1/2"	10	100	29
10703	3/4"	7	70	35
10704	1"	5	50	35
10705	1 1/4"	5	40	37
10706	1 1/2"	5	30	35
10707	2"	2	20	35

GLOBE VALVES

Brass Globe Valves Straight — Hard Seat

200 WOG / 125 WSP
ISO 9001



ITEM #	SIZE	P/CARTON	P/CASE	WT/CASE
IPS				
10400	1/4"	10	120	63
10401	3/8"	10	120	63
10402	1/2"	10	120	69
10403	3/4"	10	80	60
10404	1"	5	40	48
10405	1 1/4"	5	30	52
10406	1 1/2"	4	24	59
10407	2"	2	16	59

Brass Stop Valves (Globe) Straight — Soft Seat

125 WOG
ISO 9001



ITEM #	SIZE	P/CARTON	P/CASE	WT/CASE
IPS				
11802	1/2"	12	72	40
11803	3/4"	12	72	45
11804	1"	5	40	46
11805	1 1/4"	5	30	51
11806	1 1/2"	4	24	59
11807	2"	2	16	60
CxC				
11822	1/2"	12	72	37
11823	3/4"	12	72	43
Compression				
11882	1/2"	12	72	42
11883	3/4"	12	72	55

Brass Globe Valves

Angled — Soft Seat

125 WOG
ISO 9001



Item #	Size	p/carton	p/case	wt/case
IPS				
11854	1"	4	20	35
11855	1 1/4"	2	10	39
11856	1 1/2"	2	10	48
11857	2"	2	10	61

Brass Stop & Waste Valves (Globe)

Straight — Soft Seat

125 WOG
ISO 9001



ITEM #	SIZE	P/CARTON	P/CASE	WT/CASE
IPS				
11842	1/2"	12	72	40
11843	3/4"	12	72	45
CxC				
11862	1/2"	12	72	38
11863	3/4"	12	72	44
Compression				
11872	1/2"	12	72	44
11873	3/4"	12	72	56

BOILER DRAINS

Brass Boiler Drains

200 PSI
ISO 9001



ITEM #	SIZE	P/CARTON	P/CASE	WT/CASE
MIP x Hose				
11702	1/2"	12	72	30
11703	3/4"	12	144	65
FIP x Hose				
11707	1/2"	12	72	30
11708	3/4"	12	72	32

Brass Boiler Drains

w/ Stuffing Box

200 PSI
ISO 9001



ITEM #	SIZE	P/CARTON	P/CASE	WT/CASE
MIP x Hose (Hi-Flow)				
11700	1/2"	12	72	38
11701	3/4"	12	72	39
MIP x Hose				
11704	1/2"	12	72	34
11705	3/4"	12	72	36
FIP x Hose				
11709	1/2"	12	72	34
11712	3/4"	12	72	35

Brass Water Heater Drain Valve

125 PSI
ISO 9001



ITEM #	SIZE	P/CARTON	P/CASE	WT/CASE
MIP x Hose				
11710	3/4"	12	72	45

Brass Water Heater Drain Valve

w/ Recirculating Elbow

125 PSI
ISO 9001



ITEM #	SIZE	P/CARTON	P/CASE	WT/CASE
FIP x FIP x Hose				
11711-T	3/4"	12	72	49

SILCOCKS & HOSE BIBBS

Brass Silcocks

125 WOG
ISO 9001



ITEM #	SIZE	P/CARTON	P/CASE	WT/CASE
FIP x Hose				
11892	1/2"	12	72	34
11893	3/4"	12	72	37
SWT x Hose				
11884	1/2"	12	72	40

Brass Frost Free Silcocks

Chrome Plated

125 WOG
ISO 9001



ITEM #	LENGTH	P/CARTON	P/CASE	WT/CASE
1/2 MIP or 1/2 SWT x Hose				
11810	4"	1	24	26
11812	6"	1	24	29
11814	8"	1	24	31
11816	10"	1	24	33
11818	12"	1	24	36
11820	14"	1	24	38
3/4 MIP or 1/2 FIP x Hose				
11815	8"	1	24	31
11817	10"	1	24	35
11819	12"	1	24	36

Brass Frost Free Silcocks

Chrome Plated w/ Integral Vacuum Breaker

125 WOG
ISO 9001



ITEM #	LENGTH	P/CARTON	P/CASE	WT/CASE
1/2 MIP or 1/2 SWT x Hose				
11832	6"	1	24	30
11834	8"	1	24	33
11836	10"	1	24	35
11838	12"	1	24	38

Forged Brass Hose Bibbs

Ball Valve Action

125 WOG
ISO 9001



ITEM #	SIZE	P/CARTON	P/CASE	WT/CASE
MIP x HOSE				
T-Handle*				
30314	1/2"	12	72	33
30316	3/4"	12	72	36
Locking Handle*				
30312	1/2"	12	72	45
30313	3/4"	12	72	51

* 1/2" is MIP or SWT x Hose

Brass Hose Bibbs

125 WOG
ISO 9001



ITEM #	SIZE	P/CARTON	P/CASE	WT/CASE
MIP or SWT x Plain Spout				
30201	1/2"	12	72	28
MIP x Hose*				
30216	1/2"	12	72	28
30217	3/4"	12	72	31

* 1/2" is MIP or SWT x Hose

Brass Hose Bibbs

Chrome Plated

125 WOG
ISO 9001



ITEM #	SIZE	P/CARTON	P/CASE	WT/CASE
FIP Flange x Hose				
30202	1/2"	12	72	35
MIP or SWT x Hose				
30205	1/2"	12	72	26

Brass Hose Bibbs

No Kink (RH = Round Handles)

125 WOG
ISO 9001



ITEM #	SIZE	P/CARTON	P/CASE	WT/CASE
MIP x Hose*				
30218	1/2"	12	72	27
30219	3/4"	12	72	29
30219-RH	3/4"	12	72	37
FIP x Hose				
30228	1/2"	12	72	24
30229	3/4"	12	72	27

* 1/2" is MIP or SWT x Hose

Brass Hose Bibb Vacuum Breakers

Anti-Siphon Device w/ Flat Washer (CP = Chrome Plated)

150 WOG
ISO 9001



ITEM #	SIZE	P/CARTON	P/CASE	WT/CASE
Hose x Hose				
11850	3/4"	12	144	35
11850-CP	3/4"	12	144	35

Brass Radiator Gate Valves

w/ Ground Joint Union Tailpiece & Nut

125 PSI / 15 WSP
ISO 9001



ITEM # IPS	SIZE	P/CARTON	P/CASE	WT/CASE
11523	3/4"	6	60	72
11524	1"	4	36	69
11525	1 1/4"	2	24	65
11526	1 1/2"	2	16	59

Brass Steam Radiator Globe Valves

Angled w/ Ground Joint Union Tailpiece & Nut

60 PSI / 15 WSP
ISO 9001



ITEM # IPS	SIZE	P/CARTON	P/CASE	WT/CASE
11533	3/4"	6	48	57
11534	1"	4	36	56
11535	1 1/4"	2	24	53
11536	1 1/2"	2	16	48

Brass Hot Water Radiator Globe Valves

Angled w/ Ground Joint Union Tailpiece & Nut

60 PSI
ISO 9001



ITEM # IPS	SIZE	P/CARTON	P/CASE	WT/CASE
11553	3/4"	6	60	52
11554	1"	4	36	56
11555	1 1/4"	2	24	53
11556	1 1/2"	2	16	48

Brass Union Elbows & Nuts for Radiator Valves

Ground Joint Union Connection

60 PSI / 15 WSP
ISO 9001



ITEM # FIP x MIP	SIZE	P/CARTON	P/CASE	WT/CASE
11533-E	3/4"	10	100	59
11534-E	1"	7	70	70
11535-E	1 1/4"	5	50	76

Brass Union Tailpiece & Nut for Radiator Valves

Ground Joint Union Connection

60 PSI / 15 WSP
ISO 9001



ITEM # FIP x MIP	SIZE	P/CARTON	P/CASE	WT/CASE
11533-T	3/4"	22	220	67
11534-T	1"	16	160	70
11535-T	1 1/4"	10	100	66

Brass Balancing Valves

Butterfly Action — Screwdriver Slot

125 PSI
ISO 9001



ITEM # CxC	SIZE	P/CARTON	P/CASE	WT/CASE
20103	3/4"	12	72	33

Brass Purge & Balancing Valves

Butterfly Action — Screwdriver Slot

125 PSI
ISO 9001



ITEM # CxC	SIZE	P/CARTON	P/CASE	WT/CASE
11603	3/4"	12	72	45

Forged Brass Auto Steam Vent Valves

Stainless Steel Check Ball & Spring

125 PSI
ISO 9001



ITEM # IPS	SIZE	P/CARTON	P/CASE	WT/CASE
11516	1/8"	50	500	29
11517	1/4"	50	500	66

Brass Steam Radiator Air Vent Valves

Chrome Plated Float Type — Non Vacuum

10 PSI
ISO 9001



ITEM #	SIZE	P/CARTON	P/CASE	WT/CASE
Angle				
11511	1/8"	12	72	12
Straight				
11512	1/8"	12	72	13
11513	1/4"	12	72	12
11514	1/2" x 3/4"	12	72	14
Adjustable Angle				
11515-A	1/8"	12	72	13

Brass Tank Valves (Globe)

Hard Seat

**125 PSI
ISO 9001**



ITEM #	SIZE	P/CARTON	P/CASE	WT/CASE
MIP x MIP 11401	1/2" x 3/8"	6	72	58
MIP x FLR 11403	1/2" x 3/8"	6	72	63

Heavy Pattern Forged Brass Oil Barrel Faucet

Plug Valve Design w/ Lockable Handle

**125 PSI
ISO 9001**



ITEM #	SIZE	P/CARTON	P/CASE	WT/CASE
IPS 11543	3/4"	10	80	53

Radiator Valve Spud Wrench



ITEM #	FITS	P/CARTON	P/CASE	WT/CASE
25011	1/2" - 2" Radiator Valve	10	20	3

SPECIALTY VALVES

Bronze Wye Strainer

20 Mesh Screen

**300 WOG / 150 WSP
ISO 9001**



ITEM #	SIZE	P/CARTON	P/CASE	WT/CASE
IPS 10562	1/2"	12	60	47
10563	3/4"	8	48	60
10564	1"	8	32	55
10565	1 1/4"	8	32	62
10566	1 1/2"	2	16	55
10567	2"	2	8	49
10569	3"	1	4	59

Brass Garden Valves

Bent Nose (Oval Handle)

**125 PSI
ISO 9001**



ITEM #	SIZE	P/CARTON	P/CASE	WT/CASE
FIP x Hose 30213	3/4"	12	72	50
30214	1"	12	72	52

Brass Evaporative Cooler Valves

**125 PSI
ISO 9001**



ITEM #	SIZE	P/CARTON	P/CASE	WT/CASE
FIP x Hose 30223	3/4"	12	72	36
Hose x Hose 30224	3/4"	12	72	36

Brass Evaporative Cooler Float Valves

85 PSI



ITEM #	SIZE	P/CARTON	P/CASE	WT/CASE
Comp x FIP 30225	1/4"	20	80	38

Ice Maker Valves & Accessories



20179



20178



30226



50971



30227

ITEM #	SIZE	P/CARTON	P/CASE	WT/CASE
SELF-PIERCING BRASS SADDLE VALVES (FITS 1/4" - 1 1/4" x 1/4" TUBE COMPRESSION OUTLET)				
20179	1/4"	10	200	44
ICE MAKER KIT - 1/4" SELF-PIERCING SADDLE VALVE (20179) & 1/4" x 25' POLY TUBE				
20178		1	50	17
CHROME PLATED THREADED SHANK x COMPRESSION (BALL VALVE ACTION)				
30226	1/2" x 1/4"	25	100	45
OUTLET BOX				
50971	5 3/16" x 5 3/16"	1	10	5
CHROME PLATED THREADED SHANK x COMPRESSION (30226), OUTLET BOX (50971) & 1/4" x 25' POLY TUBE				
30227	1/2" x 1/4"	4	16	21

Brass Washing Machine Shut-Off Valves



ITEM #	SIZE	P/CARTON	P/CASE	WT/CASE
C×C × Hose 50950	1/2"	1	24	32
Threaded or SWT × Hose 50980	1/2"	1	40	60

Brass Washing Machine Valves — Long Shank



ITEM #	SIZE	P/CARTON	P/CASE	WT/CASE
Straight Thread × Hose 50960	1/2"	12	72	37

Forged Brass Washing Machine Valves

Long Shank — Chrome Plated 1/4 Turn



ITEM #	HANDLE COLOR	P/CARTON	P/CASE	WT/CASE
1/2" Straight Thread × Hose 50961	RED	25	100	46
50962	BLUE	25	100	44

Washing Machine Outlet Boxes



ITEM #	P/CARTON	P/CASE	WT/CASE
ABS Outlet Box Only 50970	1	10	8
ABS Outlet Box w/ 2 Compression Valves (50960) 50952	1	4	19
ABS Outlet Box w/ 2 Ball Valves (1/4 Turn w/ Red (50961) & Blue Handles (50962)) 50963	1	4	15

SUPPLY STOPS

Supply Stops — 1/4 Turn

Chrome Plated Forged Brass — Angle



Complies w/
NSF/ANSI 61

ITEM #	SIZE	P/CARTON	P/CASE	WT/CASE
FIP × OD Comp 11910	3/8" × 3/8"	10	150	36
11911	1/2" × 3/8"	10	150	40
OD SWT × OD Comp 11915	1/2" × 3/8"	10	150	41
OD Comp × OD Comp 11918	5/8" × 3/8"	10	150	42

Supply Stops — 1/4 Turn

Chrome Plated Forged Brass — Straight



Complies w/
NSF/ANSI 61

ITEM #	SIZE	P/CARTON	P/CASE	WT/CASE
FIP × OD Comp 11950	3/8" × 3/8"	10	150	35
11951	1/2" × 3/8"	10	150	39
OD SWT × OD Comp 11955	1/2" × 3/8"	10	150	41
OD Comp × OD Comp 11958	5/8" × 3/8"	10	150	42

Supply Stops

Chrome Plated Extruded Brass — Angle

ISO 9001



Complies w/
NSF/ANSI 61-9

ITEM #	SIZE	P/CARTON	P/CASE	WT/CASE
FIP × OD Comp 11900	3/8" × 3/8"	10	100	25
11901	1/2" × 3/8"	10	100	29
OD SWT × OD Comp 11905	5/8" × 3/8"	10	100	24
OD Comp × OD Comp 11908	5/8" × 3/8"	10	100	28

Supply Stops

Chrome Plated Extruded Brass — Straight

ISO 9001



Complies w/
NSF/ANSI 61-9

ITEM #	SIZE	P/CARTON	P/CASE	WT/CASE
FIP × OD Comp 11940	3/8" × 3/8"	10	100	30
11941	1/2" × 3/8"	10	100	35
OD SWT × OD Comp 11945	5/8" × 3/8"	10	100	29
OD Comp × OD Comp 11948	5/8" × 3/8"	10	100	33

Supply Stops

Chrome Plated Extruded Brass — Celcon Stem — Angle

ISO 9001



Complies w/
NSF/ANSI 61-9

ITEM #	SIZE	P/CARTON	P/CASE	WT/CASE
FIP x OD Comp				
11900-C	3/8" x 3/8"	10	100	21
11901-C	1/2" x 3/8"	10	100	25
PEX x OD Comp				
11907-C	1/2" x 3/8"	10	100	20
OD Comp x OD Comp				
11908-C	5/8" x 3/8"	10	100	25
OD CPVC x OD Comp				
11909-C	5/8" x 3/8"	10	100	27

Supply Stops

Chrome Plated Extruded Brass — Celcon Stem — Straight

ISO 9001



Complies w/
NSF/ANSI 61-9

ITEM #	SIZE	P/CARTON	P/CASE	WT/CASE
FIP x OD Comp				
11940-C	3/8" x 3/8"	10	100	27
11941-C	1/2" x 3/8"	10	100	31
PEX x OD Comp				
11947-C	1/2" x 3/8"	10	100	26
OD Comp x OD Comp				
11948-C	5/8" x 3/8"	10	100	30
11949-C	5/8" x 1/2"	10	100	32

Dual Outlet Supply Stops

Chrome Plated Extruded Brass — Celcon Stem — Angle

ISO 9001



ITEM #	SIZE	P/CARTON	P/CASE	WT/CASE
OD Comp x OD Comp x OD Comp				
11991-C	5/8" x 3/8" x 3/8"	10	100	28
FIP x OD Comp x OD Comp				
11992-C	1/2" x 3/8" x 3/8"	10	100	28

Supply Stops

Chrome Plated Extruded Brass — w/ 5" Extention Tube & Bell Escutcheon — Angle (C = Celcon Stem)

ISO 9001



Complies w/
NSF/ANSI 61-9

ITEM #	SIZE	P/CARTON	P/CASE	WT/CASE
OD SWT x OD Comp				
11916	5/8" x 3/8"	6	96	38
11916-C	5/8" x 3/8"	6	96	34

Supply Stops

Chrome Plated Extruded Brass — w/ 5" Extention Tube & Bell Escutcheon — Straight (C = Celcon Stem)

ISO 9001



Complies w/
NSF/ANSI 61-9

ITEM #	SIZE	P/CARTON	P/CASE	WT/CASE
OD SWT x OD Comp				
11936	5/8" x 3/8"	6	96	43
11936-C	5/8" x 3/8"	6	96	40

Supply Stops

Rough Extruded Brass — Angle

ISO 9001



Complies w/
NSF/ANSI 61-9

ITEM #	SIZE	P/CARTON	P/CASE	WT/CASE
OD SWT x OD Comp				
11904-RB	5/8" x 1/4"	10	100	22
11905-RB	5/8" x 3/8"	10	100	24
OD Comp x OD Comp				
11908-RB	5/8" x 3/8"	10	100	28

cUPC certification does not apply to 11904-RB

Supply Stops

Rough Extruded Brass — Straight

ISO 9001



Complies w/
NSF/ANSI 61-9

ITEM #	SIZE	P/CARTON	P/CASE	WT/CASE
OD SWT x OD Comp				
11944-RB	5/8" x 1/4"	10	100	28
11945-RB	5/8" x 3/8"	10	100	29

Integral Supply Stops

Rough Extruded Brass w/ Screwdriver Slot — Straight

ISO 9001



Complies w/
NSF/ANSI 61-9

ITEM #	SIZE	P/CARTON	P/CASE	WT/CASE
MIP x OD SWT				
11898	1/2" x 5/8"	10	100	26
MIP x FIP				
11899	1/2" x 1/2"	10	100	32

Exclusive 10 for 1 Warranty: If a Webstone Supply Stop ever fails due to a manufacturing defect...
WE'LL REPLACE IT WITH 10 NEW ONES.

Chrome Plated Copper Supply Tubes



ITEM #	SIZE	P/CARTON	P/CASE	WT/CASE
Lavatory				
40100	3/8" x 12"	20	500	50
40101	3/8" x 20"	20	300	46
40102	3/8" x 30"	20	200	46
Closet				
40301	3/8" x 20"	20	300	46

Unplated Copper Supply Tubes



ITEM #	SIZE	P/CARTON	P/CASE	WT/CASE
Lavatory				
40201	3/8" x 20"	20	300	46
Closet				
40400	3/8" x 12"	20	200	52

PVC — Nylon Reinforced Supply Tubes



ITEM #	SIZE	P/CARTON	P/CASE	WT/CASE
Lavatory				
40120	3/8" x 1/2" x 12"	20	200	15
40122	3/8" x 1/2" x 20"	20	200	19
Closet				
40132	3/8" x 7/8" x 20"	10	120	22

PEX Supply Tubes



ITEM #	SIZE	P/CARTON	P/CASE	WT/CASE
Lavatory				
40150	3/8" x 12"	10	200	10
40152	3/8" x 30"	30	180	14
Closet				
40154	3/8" x 15"	10	200	18
40155	3/8" x 12"	10	200	16
40156	3/8" x 20"	1	50	7

Stainless Steel Braided Supply Tubes

ISO 9001



Lavatory				
40450	3/8" x 1/2" x 12"	10	200	39
Closet				
40460	3/8" x 7/8" x 12"	10	200	35

COUPLINGS

PVC Compression Couplings

White — Fits both Schedule 40 & 80 Pipe

ISO 9001



ITEM #	SIZE	P/CARTON	P/CASE	WT/CASE
03301	3/8"	1	25	3
03302	1/2"	37	148	30
03303	3/4"	27	108	39
03304	1"	21	84	38
03305	1 1/4"	13	52	34
03306	1 1/2"	15	60	48
03307	2"	6	24	26
03308	2 1/2"	1	5	20
03309	3"	1	8	22
03310	4"	1	8	34

CPVC Compression Couplings

Fits CPVC Pipe (Copper Tubing Size)

ISO 9001



ITEM #	SIZE	P/CARTON	P/CASE	WT/CASE
03732	1/2"	25	250	42
03733	3/4"	10	200	53

PVC Unions — White — Fits both Schedule 40 & 80 Pipe

ISO 9001



ITEM #	SIZE	P/CARTON	P/CASE	WT/CASE
Socket Ends				
04822	1/2"	1	320	45
04823	3/4"	1	72	39
04824	1"	1	60	18
04825	1 1/4"	1	64	24
04826	1 1/2"	1	36	26
04827	2"	1	32	31
04828	2 1/2"	1	12	36
04829	3"	1	12	37
04830	4"	1	8	32
IPS				
04832	1/2"	1	320	55
04833	3/4"	1	72	15
04834	1"	1	60	18
04835	1 1/4"	1	64	32
04836	1 1/2"	1	36	26
04837	2"	6	24	31

CPVC Unions — Fits CPVC Pipe (Copper Tubing Size)

ISO 9001



ITEM #	SIZE	P/CARTON	P/CASE	WT/CASE
Socket Ends				
03742	1/2"	16	96	13
03743	3/4"	12	96	18

Dielectric Unions — Galvanized Steel & Brass – Nylon Insulator Ring

Max Temp 232° F



ITEM #	SIZE	P/CARTON	P/CASE	WT/CASE
FIP x SWT				
01102	1/2"	24	144	66
01103	3/4"	24	144	78
01103-2	3/4" x 1/2"	24	144	72
01104	1"	12	120	77
01105	1 1/4"	12	48	68
01106	1 1/2"	12	36	53
01107	2"	6	24	59
MIP x SWT				
02202	1/2"	24	144	68
02203	3/4"	8	96	62
02203-2	3/4" x 1/2"	24	144	89

PLUMBING ACCESSORIES

Drop Ear Elbows — Brass

ISO 9001



ITEM #	SIZE	P/CARTON	P/CASE	WT/CASE
CxC				
20198	1/2"	25	250	37
IPS x SWT				
20199	1/2"	25	250	40

PTFE Thread Tape



ITEM #	SIZE	P/CARTON	P/CASE	WT/CASE
05262	1/2" x 260"	120	600	12
05263	3/4" x 260"	120	600	18
05522	1/2" x 520"	120	600	18
05523	3/4" x 520"	120	600	18

Pipe Repair Clamps



ITEM #	PIPE SIZE	P/CARTON	P/CASE	WT/CASE
23402	1/2"	10	100	44
23403	3/4"	1	50	26
23405	1 1/4"	5	50	50
23406	1 1/2"	5	50	53
23407	2"	1	50	62

Heavy Pattern Brass Pop-Up & Waste Assembly — Chrome Plated

ISO 9001



ITEM #	P/CARTON	P/CASE	WT/CASE
30115	1	48	30

Brass Fixed Grid Drain Assembly — Chrome Plated

ISO 9001



ITEM #	SIZE	P/CARTON	P/CASE	WT/CASE
Straight				
30120	1 1/4" x 6"	1	24	16
ADA Compliant				
30121	1 1/4" x 7" x 9"	1	20	16

AIR SEPARATORS	8	ISOLATOR CHECK VALVE W/ ROTATING FLANGE	3	PRO-PAL UNION BALL DRAIN	4
AUTO STEAM VENT VALVES	24	ISOLATOR CIRCULATOR PUMP INSTALLATION KIT	3	PRO-PAL UNION DRAIN BALL (SEE PRO-PAL UNION BALL DRAIN)	4
BALANCING VALVES	24	ISOLATOR DOUBLE FLANGED CHECK	3	PTFE THREAD TAPE	29
BOILER DRAINS	22	ISOLATOR E-X-P	9	PURGE & BALANCING VALVES	24
BRASS BALL VALVES	14-17	ISOLATOR E-X-P COMPLETE	11	PVC BALL VALVES	19
BRONZE BALL VALVES	19	ISOLATOR E-X-P E2	9	PVC COMPRESSION COUPLINGS	28
CPVC BALL VALVES	19	ISOLATOR E-X-P E2 W/ CLEANBRASS	9	PVC SUPPLY TUBES	28
CPVC COMPRESSION COUPLINGS	28	ISOLATOR E-X-P E3	10	PVC UNIONS	29
CPVC UNIONS	29	ISOLATOR E-X-P E3 W/ CLEANBRASS	10	RADIATOR GATE VALVES	24
DIELECTRIC UNIONS	29	ISOLATOR E-X-P TANKLESS WATER HEATER SERVICE VALVES ACCESSORIES	10	RADIATOR VALVE SPUD WRENCH	25
DROP EAR ELBOWS	29	ISOLATOR UNI-FLANGE BALL VALVE	2	REPLACEMENT VENT ASSEMBLY	8
EVAPORATIVE COOLER FLOAT VALVES	25	ISOLATOR W/DRAIN	2	SILLCOCKS	22
EVAPORATIVE COOLER VALVES	25	ISOLATOR W/ROTATING FLANGE	2	SPRING CHECK VALVES	21
FIXED GRID DRAIN ASSEMBLY	29	ISOLATOR W/ROTATING FLANGE & MULTI-FUNCTION DRAIN	2	STAINLESS STEEL BALL VALVES	18
FROST FREE SILLCOCKS	23	MINI BALL VALVES	16	STEAM RADIATOR AIR VENT VALVES	24
GARDEN VALVES	25	NICKEL PLATED BRASS BALL VALVES	15	STEAM RADIATOR GLOBE VALVES	24
GAS BALL VALVES	16	OIL BARREL FAUCET	25	STOP VALVES (GLOBE)	21
GATE VALVES	20	PEX SUPPLY TUBES	28	STOP & WASTE VALVES (GLOBE)	22
GLOBE VALVES	21-22	PIPE REPAIR CLAMPS	29	SUPPLY STOPS	26-27
HOSE BIBBS	23	POP-UP & WASTE ASSEMBLY	29	SUPPLY TUBES	28
HOSE BIBB VACUUM BREAKERS	23	PRESSURE GAUGE	6	SWING CHECK VALVES	20-21
HOT WATER RADIATOR GLOBE VALVES	24	PRO-CONNECT PUSH	12	TANK VALVES (GLOBE)	25
HYDRO-CORE COMPLETE NEAR BOILER PIPING KITS	7	PRO-CONNECT PUSH ACCESSORIES	12	UNION ELBOWS & NUTS FOR RADIATOR VALVES	24
HYDRO-CORE MANIFOLDS	6	PRO-CONNECT PUSH FITTINGS	12	UNION TAILPIECE & NUT FOR RADIATOR VALVES	24
HYDRO-CORE NEAR BOILER COMPONENT KITS	7	PRO-CONNECT UNIVERSAL	13	WASHING MACHINE OUTLET BOXES	26
HYDRO-CORE PUMP CONNECTIONS	7	PRO-PAL BALL DRAIN	4	WASHING MACHINE SHUT-OFF VALVES	26
HYDRO-CORE UNION CONNECTIONS	6	PRO-PAL EXPANSION TANK PRO SERVICE VALVE	5	WASHING MACHINE VALVES	26
ICE MAKER VALVES & ACCESSORIES	25	PRO-PAL PURGE & FILL	5	WATER HEATER DRAIN VALVE	22
ISOLATOR CHECK VALVE	3	PRO-PAL PURGE-TEE	5	WATER HEATER INSTALLATION KITS	12
ISOLATOR CHECK VALVE ACCESSORIES	3	PRO-PAL T-DRAIN	5	WYE STRAINER	25

INDEX BY PART NUMBER

PART NUMBER	PAGE	PART NUMBER	PAGE	PART NUMBER	PAGE	PART NUMBER	PAGE	PART NUMBER	PAGE
01102	29	04830	29	10501	20	11533	24	11873	22
01103	29	04832	29	10502	20	11533-E	24	11882	21
01103-2	29	04833	29	10503	20	11533-T	24	11883	21
01104	29	04834	29	10504	20	11534	24	11884	22
01105	29	04835	29	10505	20	11534-E	24	11892	22
01106	29	04836	29	10506	20	11534-T	24	11893	22
01107	29	04837	29	10507	20	11535	24	11898	27
02202	29	05262	29	10508	20	11535-E	24	11899	27
02203	29	05263	29	10509	20	11535-T	24	11900	26
02203-2	29	05522	29	10510	20	11536	24	11900-C	27
03301	28	05523	29	10522	21	11543	25	11901	26
03302	28	10102	20	10523	21	11553	24	11901-C	27
03303	28	10103	20	10524	21	11554	24	11904-RB	27
03304	28	10104	20	10525	21	11555	24	11905	26
03305	28	10105	20	10526	21	11556	24	11905-RB	27
03306	28	10106	20	10527	21	11603	24	11907-C	27
03307	28	10107	20	10540	21	11700	22	11908	26
03308	28	10108	20	10541	21	11701	22	11908-C	27
03309	28	10109	20	10542	21	11702	22	11908-RB	27
03310	28	10110	20	10543	21	11703	22	11909-C	27
03722	19	10132	20	10544	21	11704	22	11910	26
03723	19	10133	20	10545	21	11705	22	11911	26
03724	19	10134	20	10546	21	11707	22	11915	26
03725	19	10135	20	10547	21	11708	22	11916	27
03726	19	10136	20	10548	21	11709	22	11916-C	27
03727	19	10137	20	10549	21	11710	22	11918	26
03732	28	10138	20	10550	21	11711-T	22	11936	27
03733	28	10139	20	10562	25	11712	22	11936-C	27
03742	29	10140	20	10563	25	11802	21	11940	26
03743	29	10150	20	10564	25	11803	21	11940-C	27
03822	19	10151	20	10565	25	11804	21	11941	26
03823	19	10152	20	10566	25	11805	21	11941-C	27
03824	19	10153	20	10567	25	11806	21	11944-RB	27
03825	19	10154	20	10569	25	11807	21	11945	26
03826	19	10155	20	10622	21	11810	23	11945-RB	27
03827	19	10156	20	10623	21	11812	23	11947-C	27
03828	19	10157	20	10624	21	11814	23	11948	26
03829	19	10158	20	10625	21	11815	23	11948-C	27
03830	19	10159	20	10626	21	11816	23	11949-C	27
03831	19	10160	20	10627	21	11817	23	11950	26
03922	19	10232	20	10701	21	11818	23	11951	26
03923	19	10233	20	10702	21	11819	23	11955	26
03924	19	10234	20	10703	21	11820	23	11958	26
03925	19	10235	20	10704	21	11822	21	11991-C	27
03926	19	10236	20	10705	21	11823	21	11992-C	27
03927	19	10237	20	10706	21	11832	23	13706HV	3
04602	19	10252	20	10707	21	11834	23	20013	10
04603	19	10253	20	11401	25	11836	23	20103	24
04604	19	10254	20	11403	25	11838	23	20178	25
04605	19	10255	20	11511	24	11842	22	20179	25
04606	19	10256	20	11512	24	11843	22	20198	29
04607	19	10257	20	11513	24	11850	23	20199	29
04822	29	10400	21	11514	24	11850-CP	23	20713	10
04823	29	10401	21	11515-A	24	11854	22	20723	10
04824	29	10402	21	11516	24	11855	22	20733	10
04825	29	10403	21	11517	24	11856	22	21526	16
04826	29	10404	21	11523	24	11857	22	21532	16
04827	29	10405	21	11524	24	11862	22	21533	16
04828	29	10406	21	11525	24	11863	22	21542	16
04829	29	10407	21	11526	24	11872	22	21543	16

PART NUMBER	PAGE	PART NUMBER	PAGE	PART NUMBER	PAGE	PART NUMBER	PAGE	PART NUMBER	PAGE
21550	16	40436	4	41824	15	50414/50414HV	2	54705	14
21551	16	40443	9	41825	15	50414KIT/50414HVKIT	3	54706	14
21562	16	40443COM	11	41826	15	50415/50415HV	2	54707	14
21563	16	40443PR	9	41827	15	50415KIT/50415HVKIT	3	55043COM	11
21571	16	40443PR2	9	41828	15	50416/50416HV	2	55043PR	10
21572	16	40450	28	41829	15	50417HV	2	55043PR2	10
22521	16	40460	28	41830	15	50433	4	55443COM	11
22522	16	40500	19	42403	3	50434	4	55443PR	10
22561	16	40501	19	42404/42404HV	3	50435	4	55443PR2	10
22562	16	40502	19	42405/42405HV	3	50436	4	55443PR3	10
22563	16	40503	19	42406/42406HV	3	50443	9	57002	15
22564	16	40504	19	43403/43403HV	3	50443COM	11	57003	15
23402	29	40505	19	43404/43404HV	3	50443PR	9	57004	15
23403	29	40506	19	43405/43405HV	3	50443PR2	9	57005	15
23405	29	40507	19	43406/43406HV	3	50612	4	57006	15
23406	29	40508	19	43502	19	50613	4	57007	15
23407	29	40509	19	43503	19	50614	4	58354-0	6
25011	25	40530	17	43504	19	50615	4	58613	5
26000KIT	12	40531	17	43505	19	50616	4	58614	5
26102	12	40532	17	43506	19	50617	4	58615	5
26103	12	40533	17	43507	19	50622	17	58616	5
26104	12	40534	17	43702	18	50623	17	58643	5
26202	12	40612	4	43703	18	50624	17	58644	5
26203	12	40613	4	43704	18	50672	5	58652	5
26203KIT	12	40614	4	43705	18	50673	5	58653	5
26204	12	40615	4	43706	18	50674	5	58654	5
26223	12	40616	4	43707	18	50675	5	58655	5
26223KIT	12	40617	4	43710	18	50676	5	58662	5
26302	12	40622	17	43712	18	50677	5	58663	5
26303	12	40623	17	43713	18	50682	17	58664	5
26304	12	40624	17	43714	18	50950	26	58744-0	6
26402	12	40632	17	43715	18	50952	26	58754-0	6
26403	12	40633	17	43716	18	50960	26	58755-0	6
26404	12	40634	17	43717	18	50961	26	58764-0	6
26502	12	40642	17	43720	18	50962	26	58765-0	6
26503	12	40643	17	43721	18	50963	26	58766-0	6
26504	12	40644	17	43722	18	50970	26	58774-0	6
26602	12	40672	5	43722-OH	18	50971	25	58775-0	6
26603	12	40673	5	43723	18	50980	26	58776-0	6
26604	12	40674	5	43723-OH	18	51403/51403HV	2	58854-0	6
28003	10	40675	5	43724	18	51404/51404HV	2	58855-0	6
28013	10	40676	5	43724-OH	18	51405/51405HV	2	58864-0	6
28014	10	40677	5	43725	18	51406/51406HV	2	58865-0	6
28023	10	40782	16	43726	18	51413/51413HV	2	60443	9
28023-LF	10	40790	16	43727	18	51413KIT/51413HVKIT	3	60443PR	9
28112	12	40791	16	43814	18	51414/51414HV	2	60443PR2	9
28113	12	40792	16	43817	18	51414KIT/51414HVKIT	3	62702	12
28114	12	40793	16	43900	18	51415/51415HV	2	62703	12
28212	12	40794	16	43901	18	51415KIT/51415HVKIT	3	62704	12
28213	12	40795	16	43902	18	51416/51416HV	2	74000	8
28214	12	40796	16	43903	18	51433 (see 50433)	4	74003	8
28312	12	40798	16	43904	18	51434 (see 50434)	4	74004	8
28313	12	40800	15	43905	18	51435 (see 50435)	4	74005	8
28314	12	40801	15	43906	18	51436 (see 50436)	4	74006	8
29003	10	40802	15	43907	18	51702	14	74007	8
29032	10	40803	15	44043COM	11	51702SSL	14	75003	8
30115	29	40804	15	44043PR	9	51702SSW	14	75004	8
30120	29	40805	15	44043PR2	9	51702T	14	75005	8
30121	29	40806	15	44043PR-LF	9	51703	14	75006	8
30201	23	40807	15	44044PR	9	51703SSL	14	75007	8
30202	23	41403/41403HV	2	44044PR2	9	51703SSW	14	C24203	3
30205	23	41404/41404HV	2	44443COM	11	51703T	14	C24204	3
30213	25	41405/41405HV	2	44443PR	9	51704	14	C24205	3
30214	25	41406/41406HV	2	44443PR2	9	51704SSL	14	C24206	3
30216	23	41413/41413HV	2	44443PR3	9	51704SSW	14	FS-144	7
30217	23	41413KIT/41413HVKIT	3	44444PR	9	51704T	14	FS-145	7
30218	23	41414/41414HV	2	44444PR2	9	51705	14	FS-184	7
30219	23	41414KIT/41414HVKIT	3	44444PR3	9	51705SSL	14	FS-185	7
30219-RH	23	41415/41415HV	2	44702	14	51706	14	FS-245	7
30223	25	41415KIT/41415HVKIT	3	44703	14	51706SSL	14	FS-345	7
30224	25	41416/41416HV	2	44704	14	51707	14	FSTR4-54	7
30225	25	41433 (see 40433)	4	44705	14	51707SSL	14	FSTR5-55	7
30226	25	41434 (see 40434)	4	44706	14	51708	14	FT-144	7
30227	25	41435 (see 40435)	4	44707	14	51709	14	FT-245	7
30228	23	41436 (see 40436)	4	45043COM	11	51710	14	FT-2R45	7
30229	23	41672	5	45043PR	10	51822	15	FT-344	7
30312	23	41685	16	45043PR2	10	51823	15	HCE4-43	6
30313	23	41686	16	45443COM	11	51824	15	HCE4-44	6
30314	23	41687	16	45443PR	10	51825	15	HCE4-53	6
30316	23	41698	16	45443PR2	10	51826	15	HCE4-54	6
31000	6	41699	16	45443PR3	10	51827	15	HCE4-63	6
40100	28	41700	14	45702	17	52403	3	HCE4-64	6
40101	28	41701	14	45703	17	52404/52404HV	3	HCE4-73	6
40102	28	41702	14	45704	17	52405/52405HV	3	HCE4-74	6
40120	28	41702SSL	14	47002	15	52406/52406HV	3	HCE4-94	6
40122	28	41702SSW	14	47003	15	53403/53403HV	3	HCE5-44	6
40132	28	41702T	14	47004	15	53404/53404HV	3	HCE5-45	6
40150	28	41703	14	47005	15	53405/53405HV	3	HCE5-54	6
40152	28	41703SSL	14	47006	15	53406/53406HV	3	HCE5-55	6
40154	28	41703SSW	14	47007	15	53502	19	HCE5-64	6
40155	28	41703T	14	48354-0	6	53503	19	HCE5-65	6
40156	28	41704	14	48613	5	53504	19	HCE5-74	6
40201	28	41704SSL	14	48614	5	53505	19	HCE5-75	6
40301	28	41704SSW	14	48615	5	53506	19	HCE6-56	6
40312	17	41704T	14	48616	5	53507	19	NBP4-080	7
40313	17	41705	14	48754-0	6	54043COM	11	NBP4-105	7
40400	28	41705SSL	14	48755-0	6	54043PR	9	NBP4-150	7
40402	2	41706	14	48764-0	6	54043PR2	9	NBP4-210	7
40403	2	41706SSL	14	48765-0	6	54043PR-LF	9	NBP4-WBN	7
40404/40404HV	2	41707	14	48766-0	6	54044PR	9	NBP4-WHN	7
40405/40405HV	2	41707SSL	14	48854-0	6	54044PR2	9	RF4-54	7
40406/40406HV	2	41708	14	48855-0	6	54443COM	11	RF5-55	7
40407HV	2	41709	14	48864-0	6	54443PR	11	RR42403	3
40413	2	41710	14	48865-0	6	54443PR2	9	RR42404	3
40413KIT	3	41722	17	50312	17	54443PR3	9	RR42405	3
40414/40414HV	2	41723	17	50313	17	54444PR	9	RR42406	3
40414KIT/40414HVKIT	3	41724	17	50402	2	54444PR2	9	WH-144	7
40415/40415HV	2	41725	17	50403	2	54444PR3	9	WH-1R44	7
40415KIT/40415HVKIT	3	41726	17	50404/50404HV	2	54612	4	WH-154	7
40416/40416HV	2	41727	17	50405/50405HV	2	54613	4	WH-245	7
40417HV	2	41820	15	50406/50406HV	2	54614	4	WH-255	7
40433	4	41821	15	50407HV	2	54702	14	WH-345	7
40434	4	41822	15	50413	2	54703	14		
40435	4	41823	15	50413KIT	3	54704	14		

THE WEB WARRANTY • PRODUCTS BUILT TO LAST A LIFETIME

Webstone Company, Inc. warrants all of its products to be free from manufacturer defects in material and/or workmanship for the life of the product, provided they are professionally installed and operated under normal conditions. Webstone will replace, FREE OF CHARGE, any product or part thereof that proves defective in material and/or workmanship under normal installation, use, and service.

FOR FULL DETAILS CONTACT WEBSTONE COMPANY, INC. (800) 225-9529

WEB TRACK SYSTEM SAME DAY SHIPPING AND MORE

All orders placed with Webstone are now processed by our automated Web Track System. Upon receipt of your order, the Web Track System processes it for shipment THE SAME DAY (if received by 1:00 PM EST). Upon shipment, Web Track information is transmitted to you via your preference of fax or email. It serves as your invoice and shipping confirmation. This confirmation invoice includes the carrier name, pro or tracking number, quantities shipped, quantities backordered (if any), and your costs. That means:

NO MORE LONG LEAD TIMES FOR ORDER SHIPMENT

**NO MORE CALLING TO CHECK
ON YOUR ORDER STATUS**

**NO MORE WONDERING IF IT
WILL SHIP COMPLETE OR PARTIAL**

And it doesn't stop there, through our website
WWW.WEBSTONEVALVES.COM
you can do MUCH MORE!

PLACE NEW ORDERS

FIND PART NUMBERS

PRINT SPECIFICATION/SUBMITTAL SHEETS

TRACK YOUR SHIPMENT

UPDATE ACCOUNT INFORMATION

PRINT INVOICES

DOWNLOAD CURRENT BROCHURES & CATALOGS

**AND CONTACT US FOR ANY SPECIAL
ASSISTANCE YOU MAY NEED!**

TERMS OF SERVICE

TERMS OF PAYMENT

2% 10th of the following month. Cash discount is calculated on the total amount of the invoice before additions for freight. A 1 1/2% per month service charge will be added to any past due balances.

FREIGHT ALLOWANCE

Prepaid freight on orders of \$1500 net or greater to all contiguous US States & Canada or to the nearest Continental US port for all other locations.

MINIMUM ORDER

Webstone has no minimum order.

CLAIMS OF SHORTAGE OR VARIANCE

Claims of any character must be made within 10 days after receipt of goods. Settlements of any claims are at the discretion of Webstone Company, Inc.

RETURNS

Webstone reserves the right to charge a 30% restocking fee on any returned merchandise. In preparation for "The Reduction of Lead in Drinking Water Act" (S. 3874), effective January 1, 2012 Webstone reserves the right to refuse overstock returns for any brass product with a lead content > 0.25%.

ORDER CONFIRMATIONS

All orders are subject to acceptance by Webstone Company, Inc. Prices are subject to change without notice.

STANDARD PACKAGING

Typically, shipments are made in case and carton quantities. However, Webstone will ship any quantities ordered.

UPC BARCODING

100% of products will be shipped with barcodes if customer specifies the need.

Third Party Approvals and Standards Organizations



The Canadian Standards Association
www.cga.ca



Universal Plumbing Code
Certified by the **International Association
of Plumbing & Mechanical Officials**
www.iapmo.org



American Society of Sanitary Engineering
www.asse-plumbing.org



FM Global (Factory Mutual)
www.fmglobal.com



Underwriters Laboratory Inc
www.ul.com

NSF/ANSI 61 Drinking water system components Health effects a standard for "chemical contaminants and impurities that are indirectly imparted to drinking water from products, components, and materials used in drinking water systems".

CleanBrass™ Webstone Brass that contains less than 0.25% surface lead in the wetted areas.

Note:

Third Party Approval Agencies often can approve products to a wide variety of standards; some of the standards may be under the responsibility of another agency. For example, IAPMO can issue approvals to NSF/ANSI 61 standard, as can UL, CSA, etc.

Pressure Ratings

WOG: Water, Oil & Gaseous service. Indicates the maximum pressure of the valve body. Pressure of the valve may be limited by temperature or other features.

WSP: Working Steam Pressure. Indicates the maximum steam pressure of a valve body. This rating is independent from the WOG rating. Typically the WSP rating is lower than the WOG rating.

WEBSTONE PHILOSOPHY

Since 1954, Webstone has been an industry leader and a pioneer in the development of high-quality innovative valves for the plumbing & heating industry. Through the years, we have grown to meet the ever-changing needs of our industry, introducing products designed to streamline installations and allow for easier service in the years to come.

Innovation in our designs and stability in our quality is why Webstone continues to grow in the many different markets we serve. Today, Webstone stands unmatched in the quality of both our products and our programs. We manufacture our unique line of valves and plumbing accessories with a single distinct mindset. Build them for life and our customers will come back again and again.

Webstone

VALVE INNOVATION

ONE APPIAN WAY WORCESTER, MA 01610

P.O. BOX 59 WORCESTER, MA 01613

Phone: (800) 225-9529

Fax: (800) 336-5133

email: sales@webstonevalves.com

www.webstonevalves.com