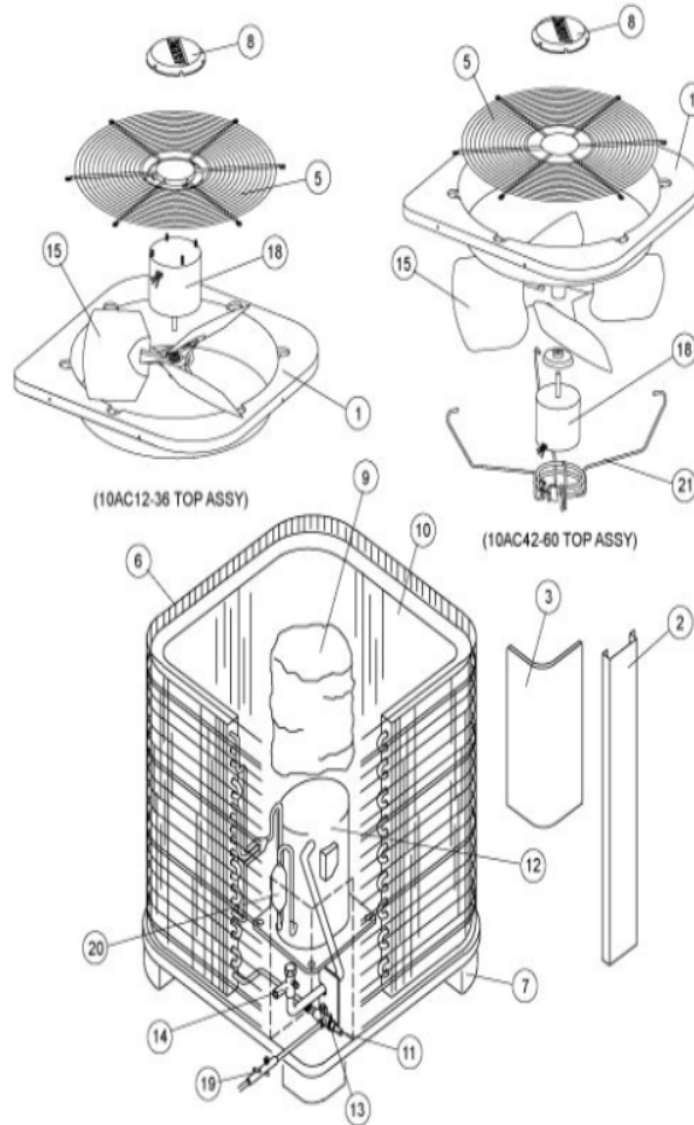
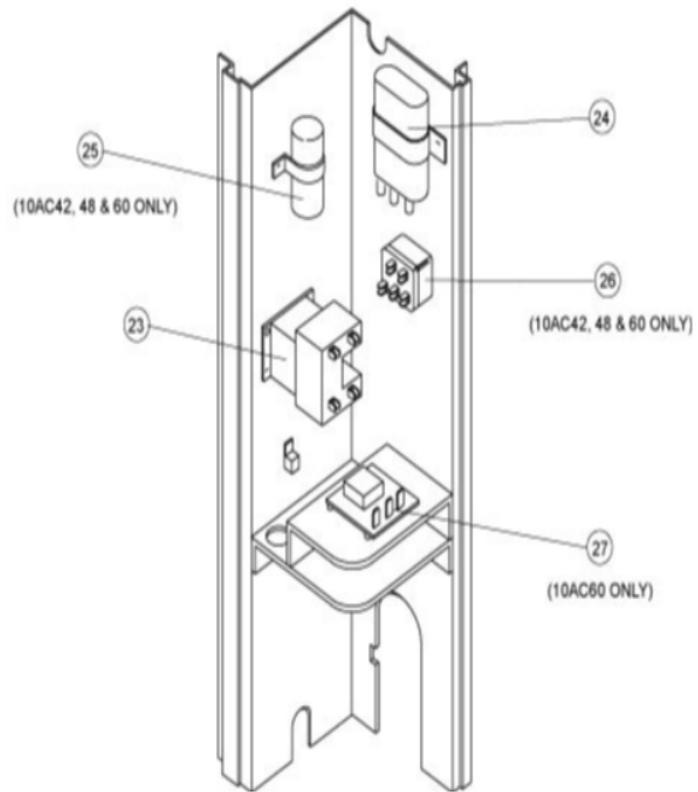


10AC SERIES



COOLING-CONDENSING
SEPTEMBER, 2007
SUPERCEDES NOVEMBER, 1992

10AC CONTROL PANEL



Revision Number - 3P

*OPTIONAL PARTS-FIELD INSTALLED

Callout	Name	Quantity	Description
	SWITCH - PRESSURE Cat #: 50F84 Model/Part #: 50F8401	1	"IN 25+3PSIG,OUT 15+5PSIG"
	VALVE-SADDLE Cat #: 65G91 Model/Part #: 65G9101	1	"3/8""
	SWITCH-HI PRESS Cat #: 74H70 Model/Part #: 74H7001	1	OUT 410+10PSIG
	VALVE-SADDLE Cat #: 78H71 Model/Part #: 78H7101	1	"1/2""
A	VALVE-SADDLE Cat #: 78H71 Model/Part #: 78H7101	1	"1/2""
B	VALVE-SADDLE Cat #: 65G91 Model/Part #: 65G9101	1	"3/8""
HP KIT	HI PRESS CUTOUT KIT Cat #: 90H67 Model/Part #: LB-64647B	1	INC NEXT 3 PARTS
LC KIT	LOSS OF CHARGE KIT Cat #: 90H66 Model/Part #: LB-64647A	1	INC NEXT 3 PARTS

CABINET PARTS

Callout	Name	Quantity	Description
	BASE Cat #: 16J46 Model/Part #: LB-83173C	1	CONDENSER
1	PANEL-TOP Cat #: 89H84 Model/Part #: LB-82900	1	TOP PANEL
3	COVER-CONTROL BOX Cat #: 89H86 Model/Part #: LB-82674	1	CONTROL BOX COVER
5	GRILLE-DISCHARGE Cat #: 21J31 Model/Part #: 21J3101	1	GRILLE, FAN GUARD
6	GUARD-OUTDOOR COIL Cat #: 69H68 Model/Part #: 69H6801	1	GUARD

Callout	Name	Quantity	Description
7	LEG Cat #: 72H59 Model/Part #: 72H5901	4	BASE
8	COVER-GRILLE Cat #: 21J32 Model/Part #: 21J3201	1	LABEL-DIPLOMAT
9	COVER Cat #: 53J39 Model/Part #: 53J3901	1	SOUND- COMPRESSOR

CONTROL PANEL PARTS

Callout	Name	Quantity	Description
23	CONTACTOR Cat #: 65C69 Model/Part #: 65C6901	1	"SPST,N.O.,24V"
24	CAPACITOR-RUN Cat #: 78H20 Model/Part #: 78H2001	1	"40+10MFD,440VAC"
25	CAPACITOR-START Cat #: 72H72 Model/Part #: 72H7201	1	"227MFD,330VAC"
26	RELAY-POTENTIAL Cat #: 66463 Model/Part #: P-8-1617	1	SPNC

COOLING PARTS

Callout	Name	Quantity	Description
	RELAY-OVERLOADCOMP-INTERNAL Cat #: Model/Part #:	1	
	KIT Cat #: 42J53 Model/Part #: 42J5301	1	RFC4(.082 - FOOTNOTE 1)
	MOUNT-MOTOR Cat #: 69H69 Model/Part #: 69H6901	1	FAN MOTOR MOUNT
	KIT-COMPR MTG Cat #: 87F70 Model/Part #: 87F7001PR	1	MOUNT PKG-COMP
	SHIELD-RAIN Cat #: 32621 Model/Part #: P-8-6142	1	SHIELD, MOTOR
10	COIL-OUTDOOR Cat #: 79H57 Model/Part #: LB-82606J	1	W/MANIFOLD

Callout	Name	Quantity	Description
11	RESTRICTOR Cat #: 40A83 Model/Part #: P-8-11323	1	RFC II(FOOTNOTE 1)
12	COMPRESSOR Cat #: 78H18 Model/Part #: 78H1801	1	"3-1/2TON,208-230/60/1,COPE"
13	VALVE-SERVICE Cat #: 69H63 Model/Part #: 69H6301	1	"LIQUID LINE,3/8""
14	VALVE-SERVICE Cat #: 22W71 Model/Part #: 72H9201	1	"SUCTION LINE,7/8""
15	FAN Cat #: 16C01 Model/Part #: 16C0101	1	"1/2""BORE,24""DIA,4 BLADE"
18	MOTOR-FAN Cat #: 72H36 Model/Part #: 72H3601	1	"1/4HP,825RPM,208-230/60/1"
19	WELL-THERMOMETER Cat #: 10J33 Model/Part #: LB-83856A	1	THERMOMETER WELL ASSY.
20	MUFFLER Cat #: 74H69 Model/Part #: 74H6901	1	MUFFLER-COPPER-1/2"ID

Note:

INDOOR COIL INFORMATION IS REQUIRED TO DETERMINE WHICH RFC DEVICE SHOULD BE USED.