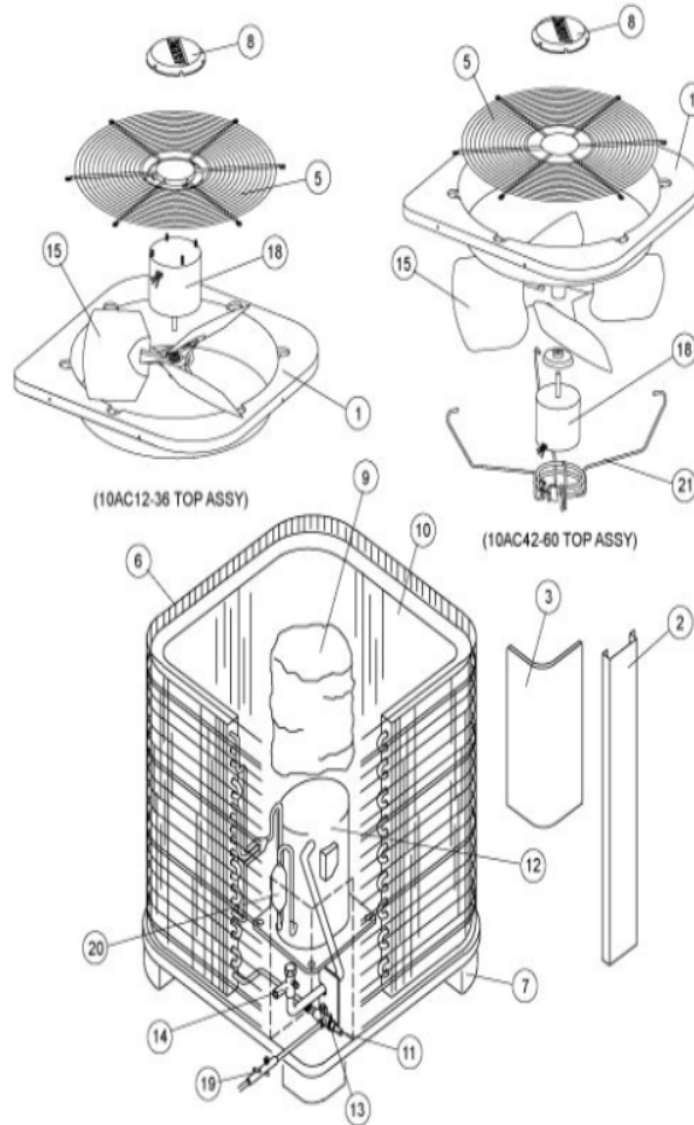
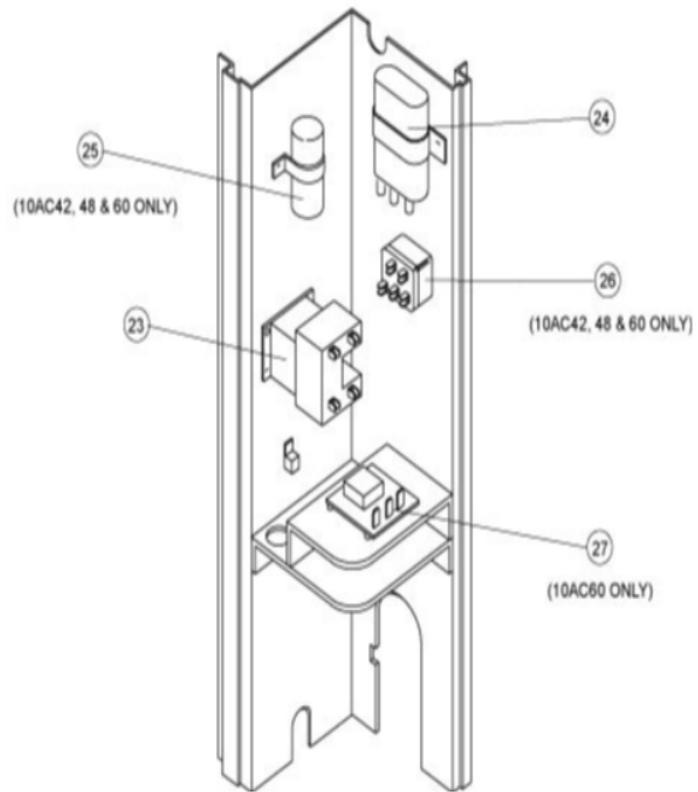


10AC SERIES



COOLING-CONDENSING
SEPTEMBER, 2007
SUPERCEDES NOVEMBER, 1992

10AC CONTROL PANEL



Revision Number - 3P

*OPTIONAL PARTS-FIELD INSTALLED

| Callout | Name | Quantity | Description |
|---------|---|----------|-------------------------------|
| | SWITCH - PRESSURE Cat #: 50F84 Model/Part #: 50F8401 | 1 | "IN 25+3PSIG,OUT 15+5PSIG" |
| | VALVE-SADDLE Cat #: 65G91 Model/Part #: 65G9101 | 1 | "3/8"" |
| | SWITCH-HI PRESS Cat #: 74H70 Model/Part #: 74H7001 | 1 | OUT 410+10PSIG |
| | VALVE-SADDLE Cat #: 78H71 Model/Part #: 78H7101 | 1 | "1/2"" |
| A | VALVE-SADDLE Cat #: 78H71 Model/Part #: 78H7101 | 1 | "1/2"" |
| B | VALVE-SADDLE Cat #: 65G91 Model/Part #: 65G9101 | 1 | "3/8"" |
| HP KIT | HI PRESS CUTOUT KIT Cat #: 90H67 Model/Part #: LB-64647B | 1 | INC NEXT 3 PARTS |
| LC KIT | LOSS OF CHARGE KIT Cat #: 90H66 Model/Part #: LB-64647A | 1 | INC NEXT 3 PARTS |

CABINET PARTS

| Callout | Name | Quantity | Description |
|---------|--|----------|----------------------|
| | BASE Cat #: 16J45 Model/Part #: LB-83173B | 1 | CONDENSER |
| 1 | PANEL-TOP Cat #: 89H77 Model/Part #: LB-82603 | 1 | TOP PANEL |
| 3 | COVER-CONTROL BOX Cat #: 89H81 Model/Part #: LB-82716 | 1 | CONTROL BOX COVER |
| 5 | GRILLE-DISCHARGE Cat #: 69H64 Model/Part #: 69H6401 | 1 | GRILLE - FAN |
| 6 | GUARD-OUTDOOR COIL Cat #: 69H67 Model/Part #: 69H6701 | 1 | GUARD - COIL |

| Callout | Name | Quantity | Description |
|---------|--|----------|----------------------|
| 7 | LEG Cat #: 72H59 Model/Part #: 72H5901 | 4 | BASE |
| 8 | COVER-GRILLE Cat #: 21J32 Model/Part #: 21J3201 | 1 | LABEL-DIPLOMAT |
| 9 | COVER Cat #: 53J40 Model/Part #: 53J4001 | 1 | SOUND- COMPRESSOR |

CONTROL PANEL PARTS

| Callout | Name | Quantity | Description |
|---------|---|----------|------------------|
| 23 | CONTACTOR Cat #: 65C69 Model/Part #: 65C6901 | 1 | "SPST,24V" |
| 24 | CAPACITOR-FAN&RUN Cat #: 53H29 Model/Part #: 39H8301 | 1 | "45+5MFD,370VAC" |

COOLING PARTS

| Callout | Name | Quantity | Description |
|---------|--|----------|-----------------------------|
| | RELAY-OVERLOADCOMP-INTERNAL Cat #: Model/Part #: | 1 | |
| | KIT Cat #: 42J48 Model/Part #: 42J4801 | 1 | RFC4(.073 - FOOTNOTE 1) |
| | KIT-COMPR MTG Cat #: 87F70 Model/Part #: 87F7001PR | 1 | MOUNT PKG-COMP |
| 10 | COIL-OUTDOOR Cat #: 79H52 Model/Part #: LB-82606D | 1 | W/MANIFOLD |
| 11 | RESTRICTOR-ORIFICE Cat #: 40A80 Model/Part #: P-8-11320 | 1 | RFC II(FOOTNOTE 1) |
| 12 | COMPRESSOR Cat #: 72H7501 Model/Part #: 72H7501 | 1 | "3TON,208- 230/60/1,TEC" |
| 13 | VALVE-SERVICE Cat #: 69H63 Model/Part #: 69H6301 | 1 | "LIQUID LINE,3/8""" |
| 14 | VALVE-SERVICE Cat #: 72H91 Model/Part #: 72H9101 | 1 | "SUCTION LINE,3/4""" |

| Callout | Name | Quantity | Description |
|----------------|--|-----------------|----------------------------------|
| 15 | FAN Cat #: 52J66 Model/Part #: 52J6601 | 1 | "1/2"BORE,20"DIA,3 BLADE" |
| 18 | MOTOR-FAN Cat #: 52J67 Model/Part #: 52J6701 | 1 | "1/6HP,1075RPM,208- 230/60/1" |
| 19 | WELL-THERMOMETER Cat #: 10J33 Model/Part #: LB-83856A | 1 | THERMOMETER WELL ASSY. |
| 20 | MUFFLER Cat #: 74H69 Model/Part #: 74H6901 | 1 | MUFFLER-COPPER- 1/2"ID |

Note:

INDOOR COIL INFORMATION IS REQUIRED TO DETERMINE WHICH RFC DEVICE SHOULD BE USED.