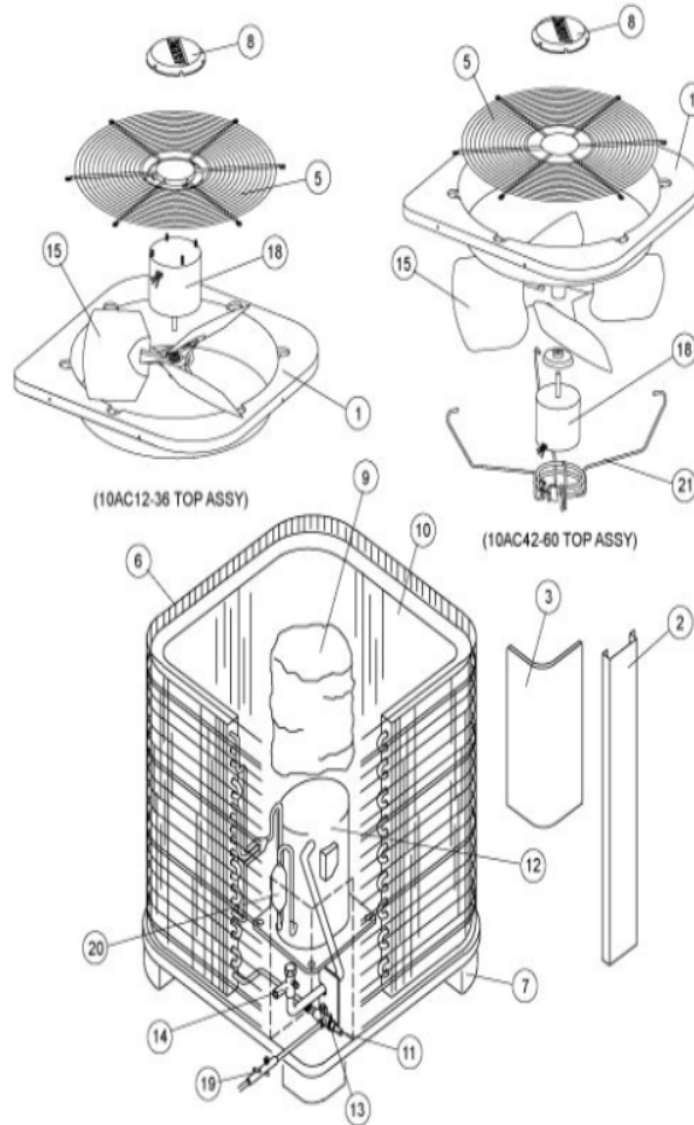
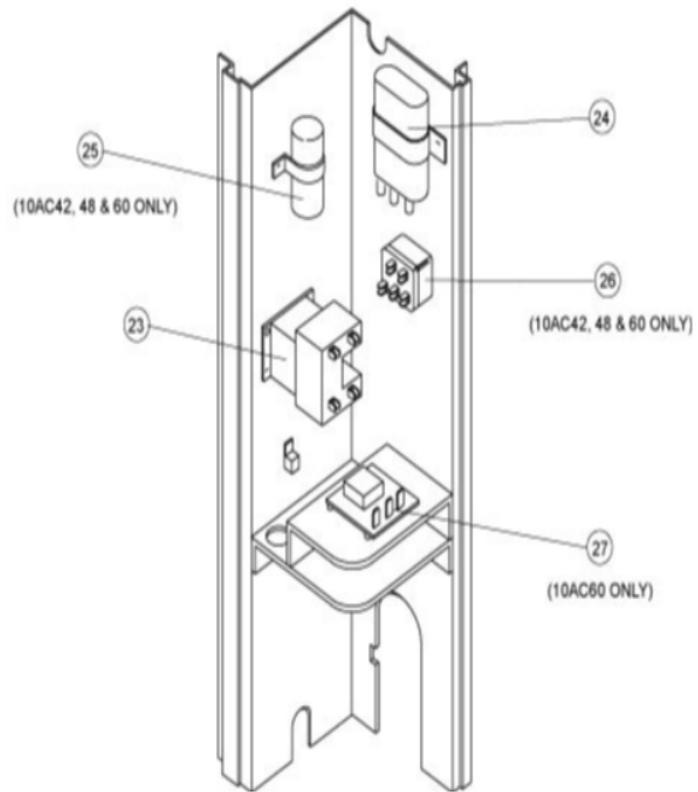


### 10AC SERIES



COOLING-CONDENSING  
SEPTEMBER, 2007  
SUPERCEDES NOVEMBER, 1992

### 10AC CONTROL PANEL



Revision Number - 3P

## \*OPTIONAL PARTS-FIELD INSTALLED

Callout	Name	Quantity	Description
	SWITCH - PRESSURE Cat #: 50F84 Model/Part #: 50F8401	1	"IN 25+3PSIG,OUT 15+5PSIG"
	VALVE-SADDLE Cat #: 65G91 Model/Part #: 65G9101	1	"3/8""
	SWITCH-HI PRESS Cat #: 74H70 Model/Part #: 74H7001	1	OUT 410+10PSIG
	VALVE-SADDLE Cat #: 78H71 Model/Part #: 78H7101	1	"1/2""
A	VALVE-SADDLE Cat #: 78H71 Model/Part #: 78H7101	1	"1/2""
B	VALVE-SADDLE Cat #: 65G91 Model/Part #: 65G9101	1	"3/8""
HP KIT	HI PRESS CUTOUT KIT Cat #: 90H67 Model/Part #: LB-64647B	1	INC NEXT 3 PARTS
LC KIT	LOSS OF CHARGE KIT Cat #: 90H66 Model/Part #: LB-64647A	1	INC NEXT 3 PARTS

## CABINET PARTS

Callout	Name	Quantity	Description
	BASE Cat #: 16J45 Model/Part #: LB-83173B	1	CONDENSER
1	PANEL-TOP Cat #: 89H77 Model/Part #: LB-82603	1	TOP PANEL
3	COVER-CONTROL PANEL Cat #: 89H78 Model/Part #: LB-83075	1	CONTROL BOX COVER
5	GRILLE-DISCHARGE Cat #: 69H64 Model/Part #: 69H6401	1	GRILLE - FAN
6	GUARD-OUTDOOR COIL Cat #: 69H66 Model/Part #: 69H6601	1	GUARD - COIL

Callout	Name	Quantity	Description
7	LEG Cat #: 72H59 Model/Part #: 72H5901	4	BASE
8	COVER-GRILLE Cat #: 21J32 Model/Part #: 21J3201	1	LABEL-DIPLOMAT

## CONTROL PANEL PARTS

Callout	Name	Quantity	Description
23	CONTACTOR Cat #: 65C69 Model/Part #: 65C6901	1	"SPST,24V"
24	CAPACITOR-RUN Cat #: 53H23 Model/Part #: 39H8001	1	"30+5MFD,370VAC"

## COOLING PARTS

Callout	Name	Quantity	Description
	RELAY-OVERLOADCOMP-INTERNAL Cat #: Model/Part #:	1	
	KIT Cat #: 66J87 Model/Part #: 66J8701	1	RFC4(.062 - FOOTNOTE 1)
	KIT-COMPR MTG Cat #: 87F70 Model/Part #: 87F7001PR	1	MOUNT PKG-COMP
10	COIL-OUTDOOR Cat #: 79H49 Model/Part #: LB-82606A	1	W/MANIFOLD
11	RESTRICTOR-ORIFICE Cat #: 27H93 Model/Part #: 27H9301	1	RFC II(FOOTNOTE 1)
12	COMPRESSOR Cat #: 72H33 Model/Part #: 72H3301	1	"2TON,208-230/60/1,COPE"
13	VALVE-SERVICE Cat #: 69H63 Model/Part #: 69H6301	1	"LIQUID-LINE,3/8""
14	VALVE-SERVICE Cat #: 72H90 Model/Part #: 72H9001	1	"SUCTION LINE,5/8""
15	FAN Cat #: 52J66 Model/Part #: 52J6601	1	"1/2""BORE,20""DIA,3 BLADE"

<b>Callout</b>	<b>Name</b>	<b>Quantity</b>	<b>Description</b>
18	MOTOR-FAN Cat #: 52J67 Model/Part #: 52J6701	1	"1/6HP,1075RPM,208-230/60/1"
19	WELL-THERMOMETER Cat #: 10J33 Model/Part #: LB-83856A	1	THERMOMETER WELL ASSY.

**Note:**

INDOOR COIL INFORMATION IS REQUIRED TO DETERMINE WHICH RFC DEVICE SHOULD BE USED.