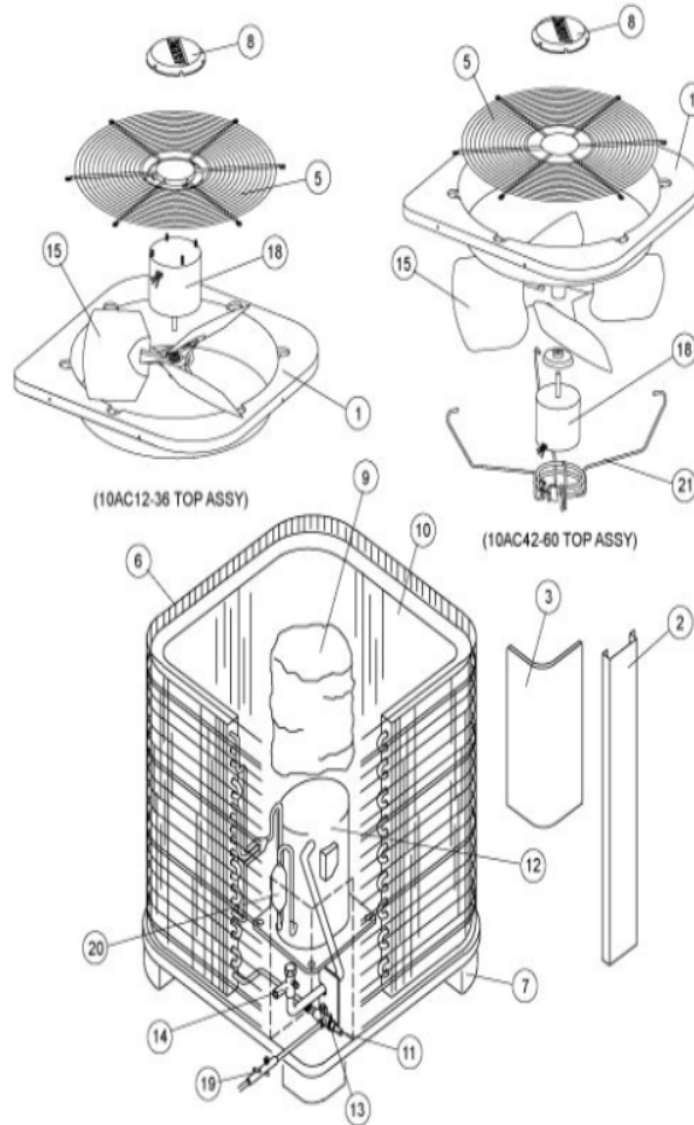
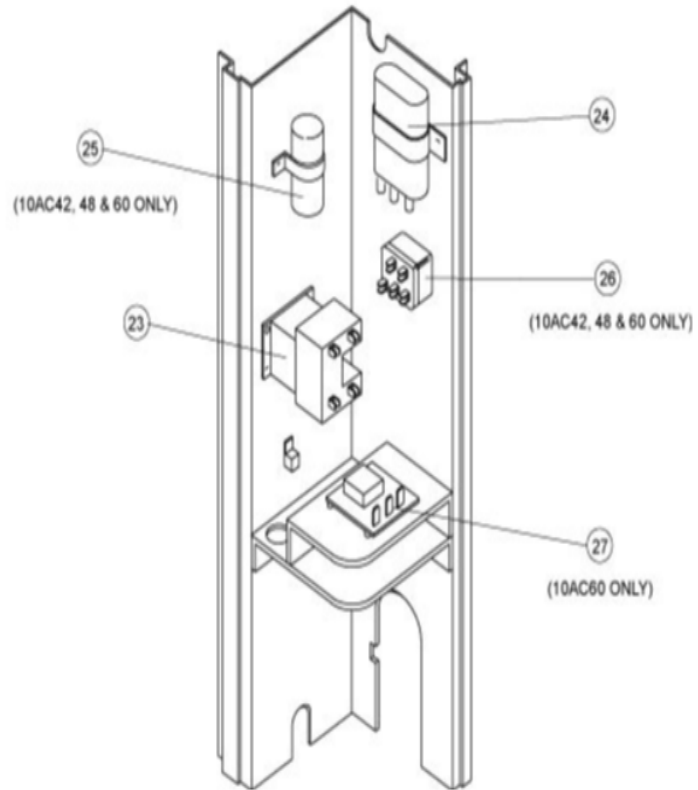


10AC SERIES



COOLING-CONDENSING
SEPTEMBER, 2007
SUPERCEDES NOVEMBER, 1992

10AC CONTROL PANEL



Revision Number - 1P

*OPTIONAL PARTS-FIELD INSTALLED

Callout	Name	Quantity	Description
	SWITCH - PRESSURE Cat #: 50F84 Model/Part #: 50F8401	1	"IN 25+3PSIG,OUT 15+5PSIG"
	VALVE-SADDLE Cat #: 65G91 Model/Part #: 65G9101	1	"3/8""
	SWITCH-HI PRESS Cat #: 74H70 Model/Part #: 74H7001	1	OUT 410+10PSIG
	VALVE-SADDLE Cat #: 78H71 Model/Part #: 78H7101	1	"1/2""
A	VALVE-SADDLE Cat #: 78H71 Model/Part #: 78H7101	1	"1/2""
B	VALVE-SADDLE Cat #: 65G91 Model/Part #: 65G9101	1	"3/8""
HP KIT	HI PRESS CUTOUT KIT Cat #: 90H67 Model/Part #: LB-64647B	1	INC NEXT 3 PARTS
LC KIT	LOSS OF CHARGE KIT Cat #: 90H66 Model/Part #: LB-64647A	1	INC NEXT 3 PARTS

CABINET PARTS

Callout	Name	Quantity	Description
	BASE Cat #: 16J44 Model/Part #: LB-83173A	1	CONDENSER
1	PANEL-TOP Cat #: 89H77 Model/Part #: LB-82603	1	TOP PANEL
3	COVER-CONTROL PANEL Cat #: 89H78 Model/Part #: LB-83075	1	CONTROL BOX COVER
5	GRILLE-DISCHARGE Cat #: 69H64 Model/Part #: 69H6401	1	GRILLE - FAN
6	GUARD-OUTDOOR COIL Cat #: 69H66 Model/Part #: 69H6601	1	GUARD - COIL

Callout	Name	Quantity	Description
7	LEG Cat #: 72H59 Model/Part #: 72H5901	4	BASE
8	COVER-GRILLE Cat #: 21J32 Model/Part #: 21J3201	1	LABEL-DIPLOMAT

CONTROL PANEL PARTS

Callout	Name	Quantity	Description
23	CONTACTOR Cat #: 65C69 Model/Part #: 65C6901	1	"SPST,24V"
24	CAPACITOR-FAN&RUN Cat #: 53H22 Model/Part #: 39H7901	1	"25+5MFD,370VAC"

COOLING PARTS

Callout	Name	Quantity	Description
	HEATER-CRANKCASECOMP-INTERNAL Cat #: Model/Part #:	1	
	KIT Cat #: 42J35 Model/Part #: 42J3501	1	RFC4(.047 - FOOTNOTE 1)
	RELAY-OVERLOAD Cat #: 77M38 Model/Part #: 77M3801	1	COMPRESSOR
	KIT-COMPR MTG Cat #: 87F70 Model/Part #: 87F7001PR	1	MOUNT PKG-COMP
	ACCUMULATER Cat #: 99C54 Model/Part #: 99C5401	1	ACCUMULATOR
10	COIL-OUTDOOR Cat #: 79H49 Model/Part #: LB-82606A	1	W/MANIFOLD
11	RESTRICTOR-ORIFICE Cat #: 97H35 Model/Part #: 97H3501	1	RFC II(FOOTNOTE 1)
12	COMPRESSOR Cat #: 69H62 Model/Part #: 69H6201	1	"1TON,208-230/60/1,TEC"
13	VALVE-SERVICE Cat #: 69H63 Model/Part #: 69H6301	1	"LIQUID LINE,3/8""

Callout	Name	Quantity	Description
14	VALVE-SERVICE Cat #: 72H89 Model/Part #: 72H8901	1	"SUCTION LINE,1/2""
15	FAN Cat #: 72H29 Model/Part #: 72H2901	1	"1/2""BORE,20""DIA,3 BLADE"
18	MOTOR-FAN Cat #: 72H73 Model/Part #: 72H7301	1	"1/6HP,825RPM,208- 230/60/1"
19	WELL-THERMOMETER Cat #: 10J33 Model/Part #: LB-83856A	1	THERMOMETER WELL ASSY.

Note:

INDOOR COIL INFORMATION IS REQUIRED TO DETERMINE WHICH RFC DEVICE SHOULD BE USED.