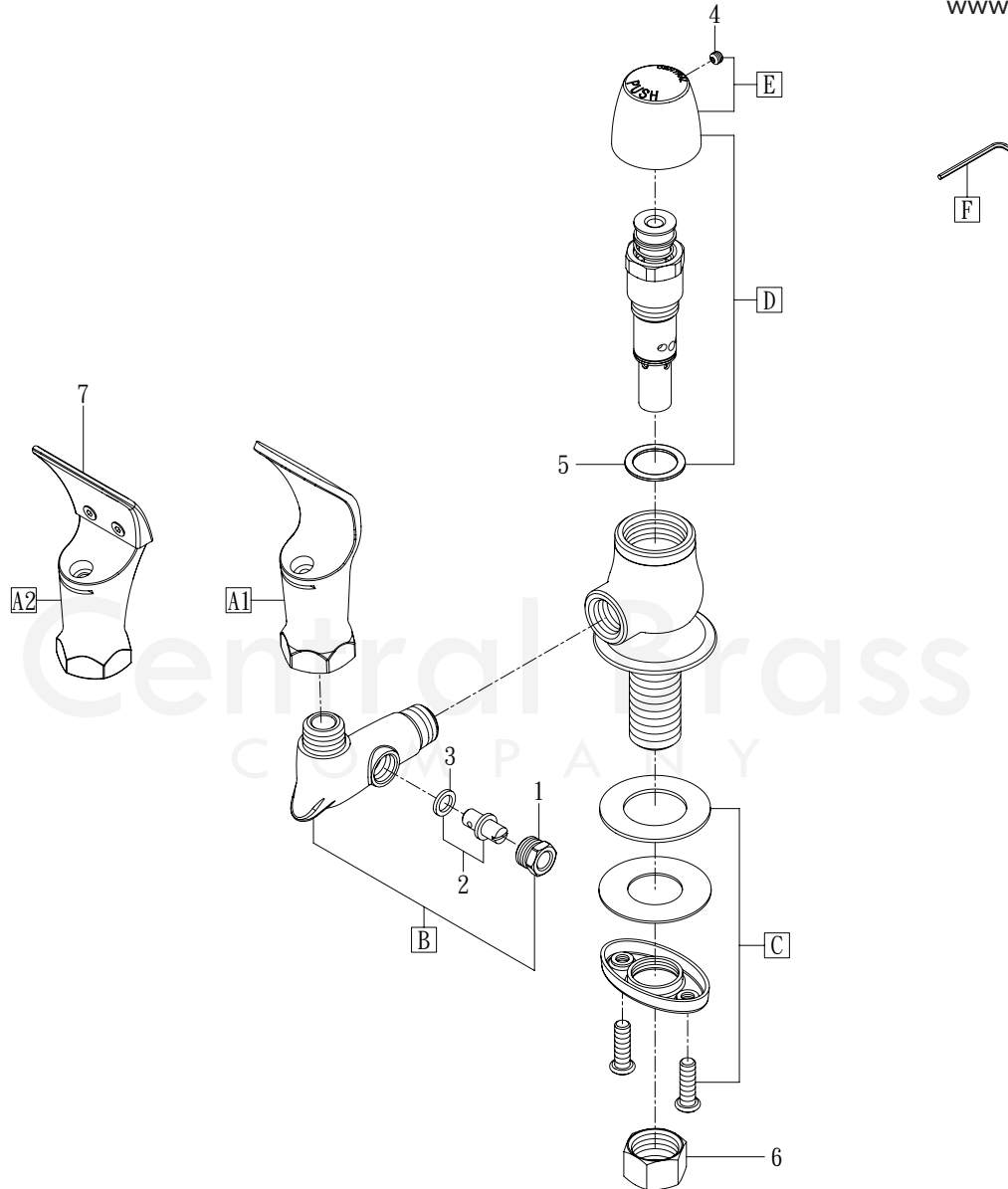


MODEL# 0364-N2, 10364-N2

Commerce, CA 90040
 Fax: 323.888.9515
 Email: sales@centralbrass.com
 www.centralbrass.com



ITEM#	DESCRIPTION	ITEM#	DESCRIPTION
A1	0376 Drinking Faucet Head (For 0364-N2)	1	PF-1090-J Regulator Cap
A2	10376 Drinking Faucet Head (For 10364-N2)	2	G-756-E Regulator Stem with Washer
B	SU-6965 Connector Body w/ Regulator Stem& Cap	3	X1090-HN Regulator Washer (10 pcs per pack)
C	CS-59001 Mounting Kit	4	X-103-HS Set Screw (6 Pcs Per Pack)
D	CS-49016P Plain Handle Repair Kit	5	X1028-Y Washer (2 Pcs Per Pack)
E	CS-13003P Plain Push Handle	6	X4015 Brass Coupling Nut-4/pk
F	170-WA 3/32" Allen Wrench	7	CS-48008 Antimicrobial Flexible Mouth Guard