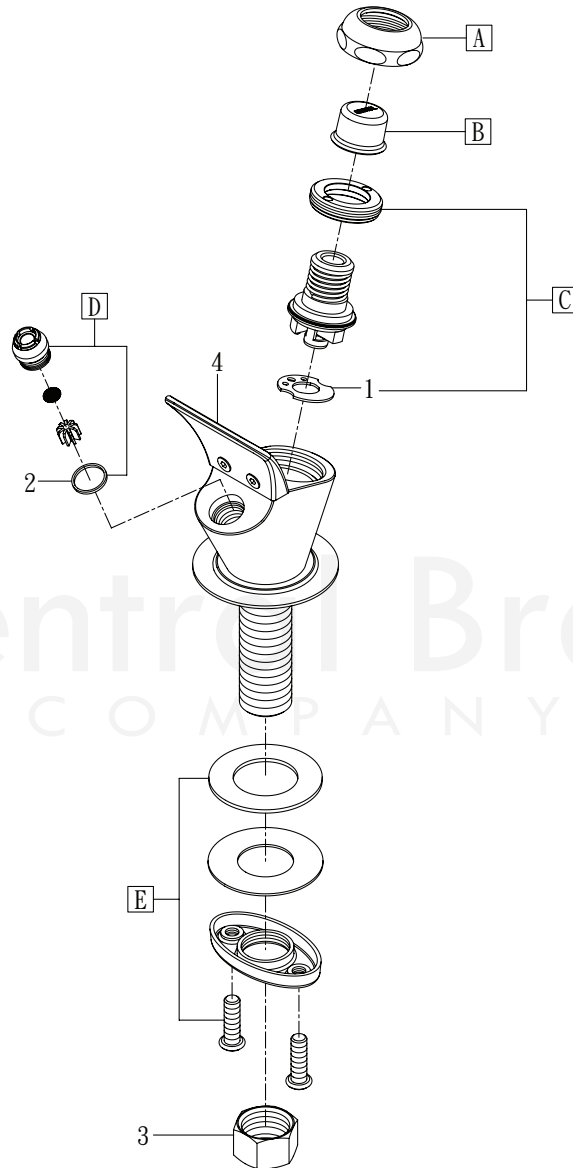


MODEL# 10360

Commerce, CA 90040  
 Fax: 323.888.9515  
 Email: sales@centralbrass.com  
 www.centralbrass.com



ITEM#	DESCRIPTION	ITEM#	DESCRIPTION
A	PF-358-RS Cap Nut for Bubbler Head	1	X358-APGCN Gasket for Bubbler Head Cartridge-6/pk
B	PF-358-Q Cap Button for Bubbler Head	2	X358-U Fiber Washer-10/pk
C	K-361 Stem Assembly For Drinking Faucets	3	X4015 Brass Coupling Nut-4/pk
D	SU-358-SA Jet Assembly for Bubbler Head	4	CS-48008 Antimicrobial Flexible Mouth Guard
E	CS-59001 Mounting Kit		