

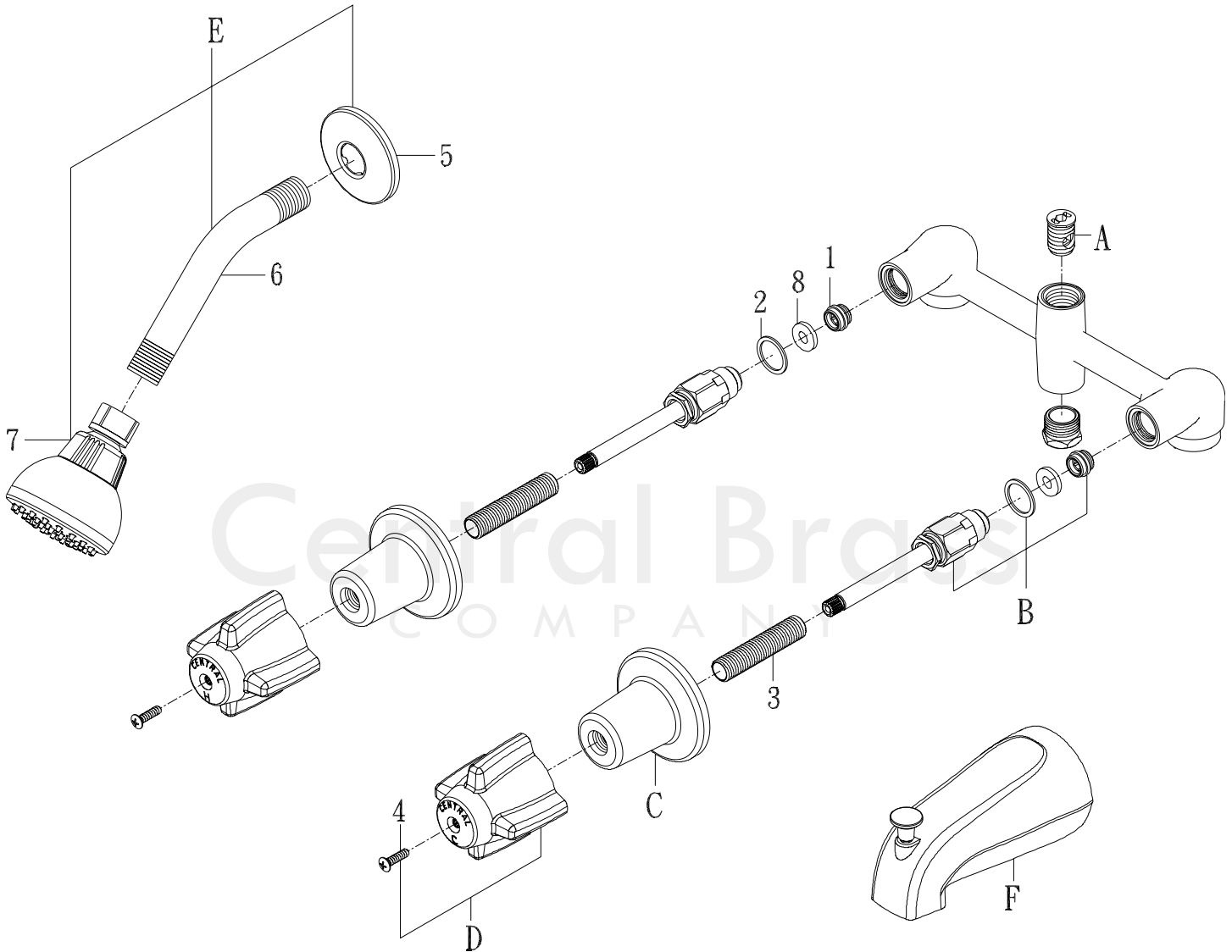
MODEL# 0897

Commerce, CA 90040

Fax: 323.888.9515

Email: sales@centralbrass.com

www.centralbrass.com



ITEM#	DESCRIPTION	ITEM#	DESCRIPTION
A	268-TVR Set-Diverter Piston	2	X1028-Y Nylon Gasket-25/pk
B	K-3-CT Stem Assembly W/Replaceable Seat	3	X269-29/16 2-9/16" Brass Nipple-10/pk
C	521-B Escutcheon	4	X107-F Oval Head Handle Screw Phillips-25/pk
D	G-508-C,H Large Canopy Handle-Cold, Hot	5	X1035-SS Shower Arm Flange-10/pk
E	G-3113-6 Shower Head, Arm (6") & Flanges	6	714-WT-02 Shower Arm 6"
F	3061-AZ1/2 1/2" IPS & Slip-on Combo Diverter Spout	7	OP-640053 Shower Head 1.5GPM
1	X263-BC Brass Seat CP-4/pk	8	X901-WNN Seat Washer 25/pk