

The STAS is a replaceable core Filter Drier for CFC, HCFC, and HFC refrigerants for use in large commercial air conditioning and refrigeration systems.

### Features

- Slotted cover/unique internal hardware for hassle-free installation
- Full flow fittings for low pressure drop
- Corrosion resistant epoxy powder paint finish
- Sturdy steel shells for long life
- Solid copper connections
- 100 mesh outlet screen



### Nomenclature example: STAS 489T

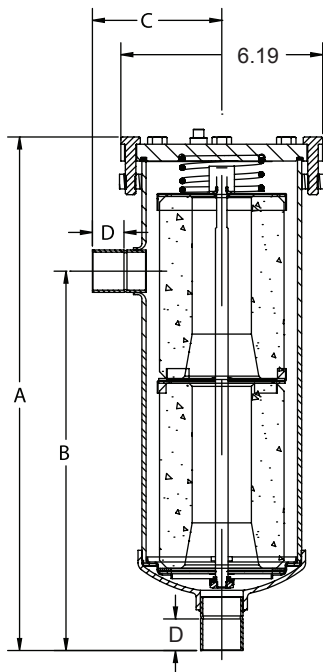
<b>STAS</b>	<b>48</b>	<b>9</b>	<b>T</b>
Steel Take-Apart Series	Unit Size (in cu. in.)	Connection Size (in 1/8")	System Service T = Liquid Line Service SV = Suction Line Service

### Specifications

- Filtration (with core): 40 microns
- Maximum working pressure: SV version = 500 psig  
T version = 680 psig
- UL/CUL file number: SA7175

STAS Models are shipped without filter or filter drier cores.  
See filter or filter drier cores for availability.

### Dimensional Data



### Ordering Information

PCN	Description	Connection Size	Number Of 48 in <sup>3</sup> Cores	Desiccant Volume (Cu. In.)	Dimensions (in)					
					A	B	C	D		
053001	STAS-485T	5/8 ODF	1	48	9.94	6.00	3.78	0.63		
053003	STAS-487T	7/8 ODF			9.69	6.25	3.75	0.78		
053005	STAS-489T	1 1/8 ODF			9.75	6.31	3.84	0.94		
053007	STAS-4811T	1 3/8 ODF			9.84	6.44	3.97	0.94		
053043	STAS-4813S-V <sup>1</sup>	1 5/8 ODF			9.88	6.02	4.03	1.13		
053044	STAS-4817S-V <sup>1</sup>	2 1/8 ODF			10.06	6.56	4.56	1.34		
053045	STAS-4821S-V <sup>1</sup>	2 5/8 ODF			10.44	7.03	4.75	1.04		
053375	STAS-4813T	1 5/8 ODF			9.88	6.50	4.03	1.13		
053938	STAS-4811SV	1 3/8 ODF			9.84	6.44	3.97	0.94		
053010	STAS-967T	7/8 ODF			2	96	15.19	11.72	3.75	0.78
053012	STAS-969T	1 1/8 ODF	15.22	11.78			3.84	0.94		
053014	STAS-9611T	1 3/8 ODF	15.31	11.91			3.97	1.03		
053017	STAS-9613T	1 5/8 ODF	15.38	11.97			4.03	1.13		
053018	STAS-9617T	2 1/8 ODF	15.56	12.03			4.56	1.34		
053047	STAS-9617S-V <sup>1</sup>	2 1/8 ODF	15.56	12.03			4.56	1.34		
053048	STAS-9621S-V <sup>1</sup>	2 5/8 ODF	15.94	12.50			4.75	1.50		
059739	STAS-9625 SV <sup>1</sup>	3 1/8 ODF	16.54	12.63			5.44	1.66		
053020	STAS-1449T	1 1/8 ODF	3	144			21.25	17.38	3.84	0.94
053022	STAS-14411T	1 3/8 ODF					21.34	17.53	3.97	1.03
053024	STAS-14413T	1 5/8 ODF			21.38	17.59	4.03	1.13		
053025	STAS-14417T	2 1/8 ODF			21.56	17.63	4.56	1.34		
053028	STAS-19211T	1 3/8 ODF	4	192	26.91	23.00	3.97	1.03		
053030	STAS-19213T	1 5/8 ODF			26.94	23.17	4.03	1.13		
053031	STAS-19217T	2 1/8 ODF			27.13	23.13	4.56	1.34		
056213	STAS-19275T	7/8 X 5/8			26.50	6.00	3.69	0.78/0.63		

<sup>1</sup>"SV" style include stainless steel bolts and access valve.

NOTE: "T" style can be used for suction by removing pipe plug and installing X-11562-2.

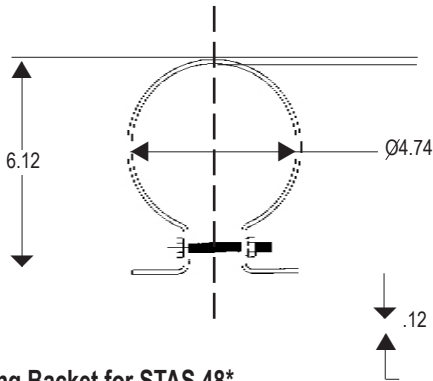
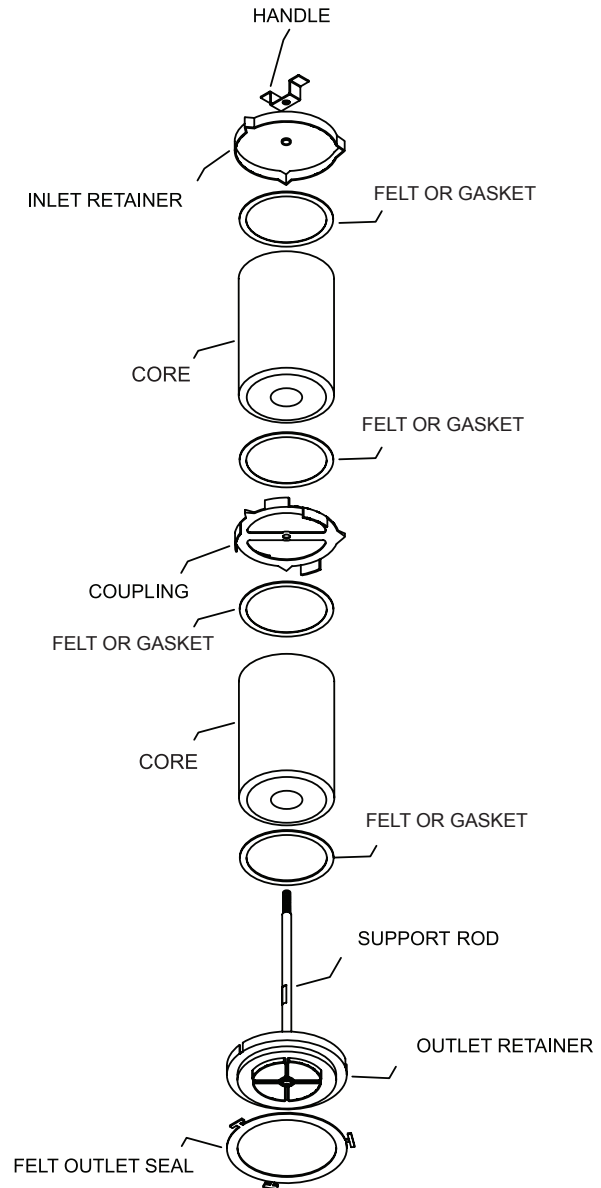
Description	Connections	Liquid Flow Capacity Tons @ 1 psi ΔP <sup>1,2,3</sup>						
		R-12	R-134a	R-22	R-407C	R-404A/507	R-502	R-410A
STAS-485T	5/8 ODF	16	21	22	21	15	14	22
STAS-487T	7/8 ODF	29	38	41	39	27	25	41
STAS-489T	1 1/8 ODF	42	53	58	56	38	36	58
STAS-4811T	1 3/8 ODF	48	75	81	78	53	41	81
STAS-4813T	1 5/8 ODF	67	81	89	85	58	58	89
STAS-967T	7/8 ODF	33	42	45	43	30	27	45
STAS-969T	1 1/8 ODF	49	65	71	68	47	42	71
STAS-9611T	1 3/8 ODF	62	80	87	83	57	54	87
STAS-9613T	1 5/8 ODF	67	92	100	95	65	58	100
STAS-1449T	1 1/8 ODF	48	66	72	69	47	41	72
STAS-14411T	1 3/8 ODF	69	92	100	96	65	60	100
STAS-14413T	1 5/8 ODF	77	93	101	97	66	66	101
STAS-14417T	2 1/8 ODF	88	110	120	115	78	76	120
STAS-19211T	1 3/8 ODF	75	94	102	98	67	64	102
STAS-19213T	1 5/8 ODF	81	103	113	108	74	69	113
STAS-19217T	2 1/8 ODF	91	113	123	117	80	78	123

<sup>1</sup> All ratings in accordance with ARI Standard 710-04. 86°F liquid refrigerant temperature  
 • 5°F saturated vapor temperature  
 • 3.1 lbs./min./ton for R-134a  
 • 2.9 lbs./min./ton for R-22 and R-407C  
 • 4.0 lbs./min./ton for R-404A/507 and R-12  
<sup>2</sup> For 2 PSI ΔP, Multiply values by 1.4  
<sup>3</sup> For kW, multiply by 3.5

### Replacement Parts For STAS

Flange Cover Assembly	Description	PCN
All STAS Driers - Include Flange Cover, Compression Spring, Pipe Plug, and Grade 5 Bolts	X12176-3	054046
Shell Strainer Assembly		
STAS-48	X27458-1	060274
STAS-96	X27458-2	060275
STAS-144	X27458-3	060276
STAS-192	X27458-4	060277
Miscellaneous Parts		
Cover Bolts (Stainless Steel - suction line service)	X25787-7	053121
Access Valve (V Option)	X11562-2	037409
Gasket Set (Includes cover gasket)	X11983-1	027453
Handle	26446-1	053812
Inlet Retainer	26477-1	053813
Spring	26439-1	060258
Mounting Bracket	X28747-1	061715

### Exploded View



**Mounting Bracket for STAS 48\***

\*More than one mounting bracket may be required for shell sizes 96 and above.