

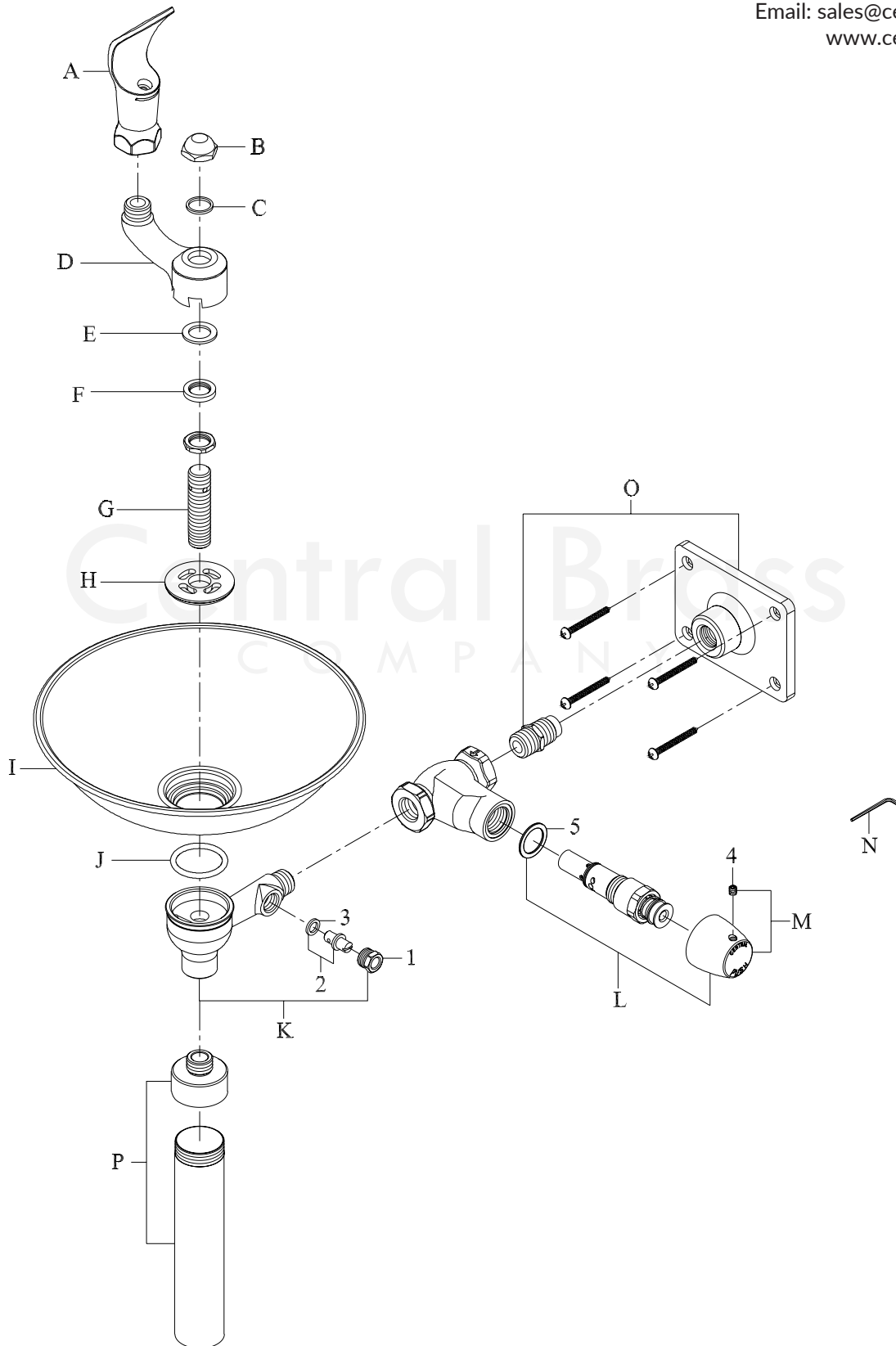
MODEL# 0366-N2HX8WB

Commerce, CA 90040

Fax: 323.888.9515

Email: sales@centralbrass.com

www.centralbrass.com



MODEL# 0366-N2HX8WB

Commerce, CA 90040
 Fax: 323.888.9515
 Email: sales@centralbrass.com
 www.centralbrass.com

	ITEM#	DESCRIPTION
A	0376	Drinking Faucet Head
B	PF-768-D	Bubbler Cap
C	X1043-FN	Washer (2 pcs per pack)
D	7077	Bubbler Guard Arm
E	X944-N	Washer (2 pcs per pack)
F	766-B	Lock Ring
G	PF-776-D	Bubbler Shank
H	7074-L	Drain Plate
I	PF-398-B8	Brass Bowl
J	X1038-S	O-Ring (2 pcs per pack)
K	SU-7071	Bubbler body With regulator Stem
L	CS-49016P	Plain Handle Repair Kit
M	CS-13003P	Plain Push Handle
N	170-WA	3/32" Allen Wrench
O	G-2887	Wall bracket group with nipple
P	CS-48001	Drain Adapter 3/8" to 1-1/4"
1	PF-1090-J	Regulator Cap
2	G-756-E	Regulator Stem with Washer
3	X1090-HN	Regulator Washer (10 pcs per pack)
4	X-103-HS	Set Screw (6 Pcs Per Pack)
5	X1028-Y	Washer (2 Pcs Per Pack)