

The 204CD is a direct-acting unidirectional, normally closed valve for air, water and steam applications.

### Features

- Superior life with stainless steel enclosing tubes
- Repair kits available



### Options

- Brass or stainless steel bodies
- Optional Voltages: 12 or 24 VDC & 120-240, 480 & 240-480/50-60 Hz

### Specifications

- 1/4" NPT Solenoid Valve
- Watts: 12 A.C., 15 D.C.
- VA Inrush: 31
- VA Holding: 19
- Maximum working pressure: 500 psi
- Weight: 1 lb. 3 oz.
- Standard Voltages: 24, 120, 208-240/50-60 Hz
- UL/CUL file number: MP604

### Ordering Information\*

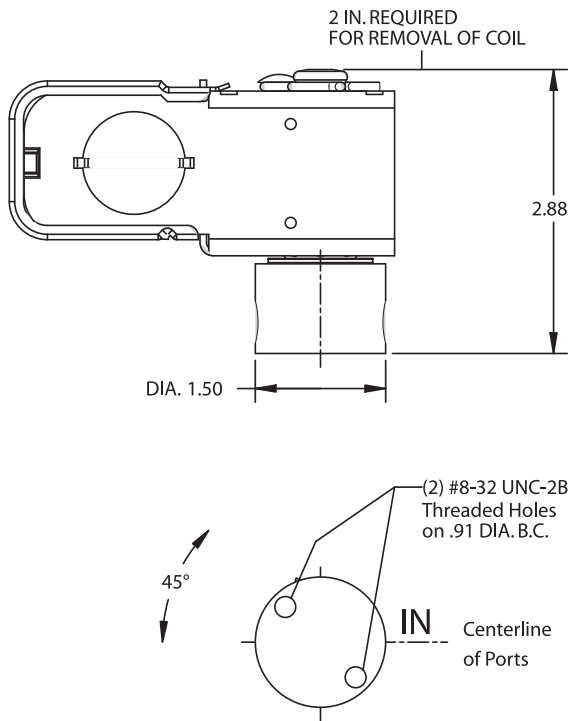
Pipe Size	Orifice Size	M.O.P.D <sup>2</sup>		Cv	Max. AC Fluid Temp. <sup>1</sup>	Recommended Coils			Description	PCN	Elastomer
		AC	DC			Size	Insulation	Enclosure			
<b>Brass General Purpose</b>											
1/4	3/64	500	500	0.05	180°F	A 12 Watts AC 15 Watts DC	M Class F Molded	G Junction Box	204CD1/4B3/64B	030731	BUNA-N
	1/16	500	500	0.12					204CD1/4B1/16B		
	3/32	300	125	0.22					204CD1/4B3/32B	030733	
	1/8	150	75	0.34					204CD1/4B1/8B	056110	
	5/32	100	40	0.48					204CD1/4B5/32B	030735	
	3/16	60	30	0.56					204CD1/4B3/16B	030736	
	1/4	20	10	0.70					204CD1/4B1/4B	030737	
<b>Stainless Steel General Purpose</b>											
1/4	3/64	500	500	0.05	180°F	A 12 Watts AC 15 Watts DC	M Class F Molded	G Junction Box	204CD1/4S3/64B		BUNA-N
	1/16	500	500	0.12					204CD1/4S1/16B		
	3/32	300	125	0.22					204CD1/4S3/32B	030870	
	1/8	150	75	0.34					204CD1/4S1/8B	030871	
	5/32	100	40	0.48					204CD1/4S5/32B		
	3/16	60	30	0.56					204CD1/4S3/16B		
	1/4	20	10	0.70					204CD1/4S1/4B	030874	
<b>Brass Steam</b>											
1/4	3/64	150	-	0.05	400°F	A 12 Watts AC A	H Class H Molded M	G Junction Box G	204CD1/4B3/64T		PTFE w/Ethylene Propylene Gaskets
	1/16	150	-	0.12					204CD1/4B1/16T		
	3/32	150	-	0.22					204CD1/4B3/32T	030748	
	1/8	150	-	0.34					204CD1/4B1/8T	030749	
	5/32	100	-	0.48					204CD1/4B5/32T	030750	
	3/16	60	-	0.56					204CD1/4B3/16T		
	1/4	20	-	0.70	250°F			204CD1/4B1/4P		E.P. Seat	
<b>Stainless Steel Steam</b>											
1/4	3/64	150	-	0.05	400°F	A 12 Watts AC A	H Class H Molded M	G Junction Box G	204CD1/4S3/64T	030883	PTFE w/Ethylene Propylene Gaskets
	1/16	150	-	0.12					204CD1/4S1/16T		
	3/32	150	-	0.22					204CD1/4S3/32T		
	1/8	150	-	0.34					204CD1/4S1/8T	030886	
	5/32	100	-	0.48					204CD1/4S5/32T		
	3/16	60	-	0.56					204CD1/4S3/16T	030888	
	1/4	20	-	0.70	250°F			204CD1/4S1/4P		E.P. Seat	
<b>Stainless Steel Steam</b>											
1/4	5/32	100	-	0.48	400°F	A 12 Watts	H Class H Molded	G Junction Box	204CD1/4S5/3P	053492	E.P. Seat
<b>Brass Steam</b>											
1/4	5/32	100	-	0.48	400°F	A 12 Watts	H Class H Molded	G Junction Box	204CD 1/4 B 5/32 P	064682	E.P. Seat

<sup>1</sup>With an ambient temperature of 77°F.

<sup>2</sup>Maximum Operating Pressure Differential.

\*VLC - See coil assemblies for availability.

## Dimensional Data (in)



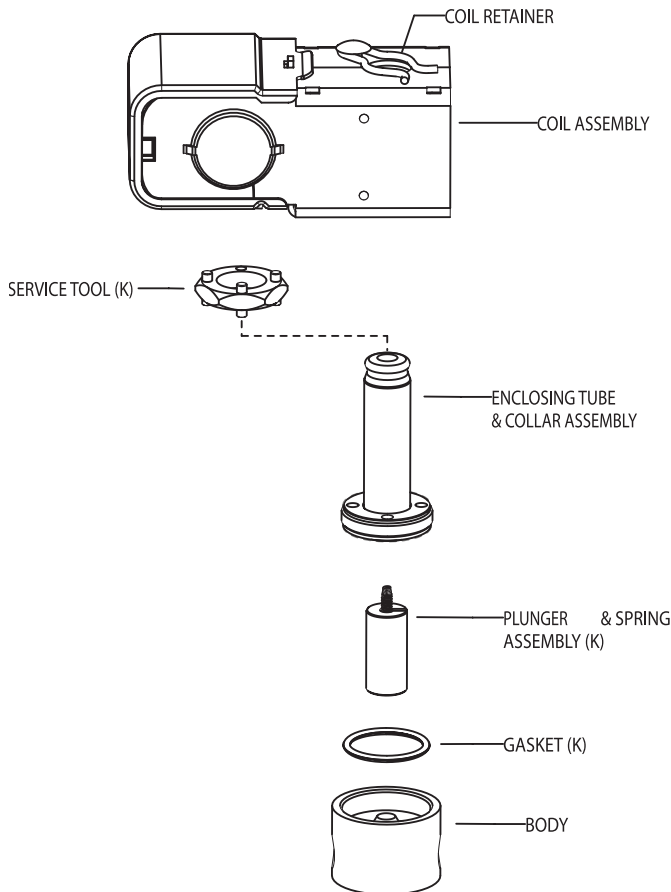
## Valve Options

Options	To Order
Manual Override (not for steam) Minimum order qty. 100	Add suffix "M" to catalog number.
Adjustable Metering (not for steam) 500 psi SWP for All orifice sizes.	Add suffix "A" to catalog number.
Silver Shading Band (on stainless steel valves)	Change body material code. Example: Change standard 204CD1/4S to non-standard 204CD1/4T (silver shading band)

## Valve Kit Repairs

Seat Material	Kit #	PCN
Buna-N	K-1072	021105
Viton	K-1074	021106
Rulon	K-1077	021107
Ethylene Propylene	K-1076	032154
Buna-N (1/4 orifice only)	K-1162	039145

## Exploded View



### Valve Repair Kit

"K" indicates part is supplied in valve repair kit.

### Coil Assembly

For available coil assemblies, see page 126.