



## Two Handle Wallmount Kitchen Faucet

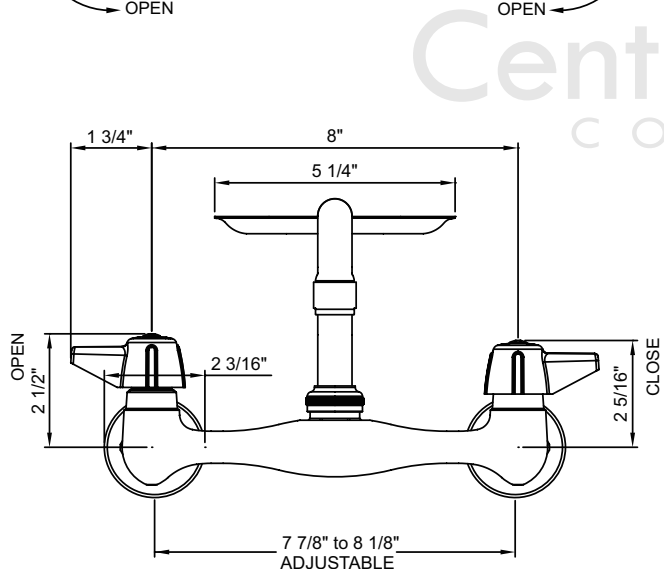
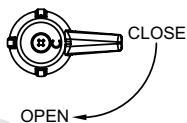
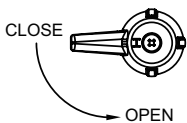
- 8" Reach Tube Swivel Spout
- Quick-Presson Quarter-Turn Stems, Replaceable Seats
- 2-Hole 7-7/8" to 8-1/8" Installation
- Brass Soap Dish
- 1.5 GPM Flow Rate

### Code and Standards

- ASME A112.18.1-2018/CSA B125.1-18
- NSF/ANSI/CAN 61
- Compliance with AB1953/S152/HB372
- NSF/ANSI 372
- ADA: Compliance to ICC/ANSI A117.1 (Lever Handle Only)



\*For other finishes and flow rates offered, please visit our website, email an inquiry to [sales@pioneerind.com](mailto:sales@pioneerind.com) or contact our sales at 800-338-9468



Central Brass  
COMPANY

