

Gutter and Downspout Tools



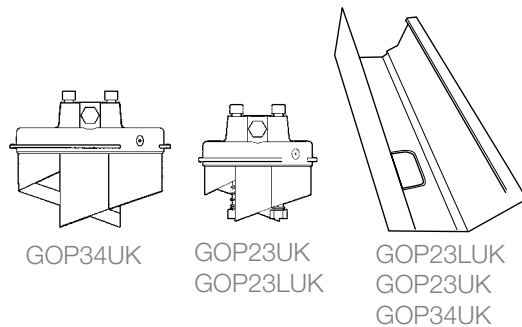
Gutter Outlet Punches



All Malco Gutter Outlet Punch and Dies make clean, accurate hole cuts in .032" (0.81 mm) aluminum gutter. Ample throat clearance allows these lightweight outlet punches to work over the front edge of gutter to quickly line up cuts. Fastener holes are provided in the tool frame base for optional bench mount application. An easy ratcheting mechanism and angled punch-blade provide smooth cutting action. High carbon steel blades on punches assure long service life and are also easily replaceable. Heat treated components and weather resistant finishes provide added tool strength and durability.



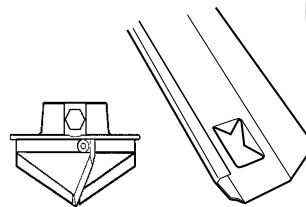
GOT
U.S. Patent No.
6,289,709



GOP34UK

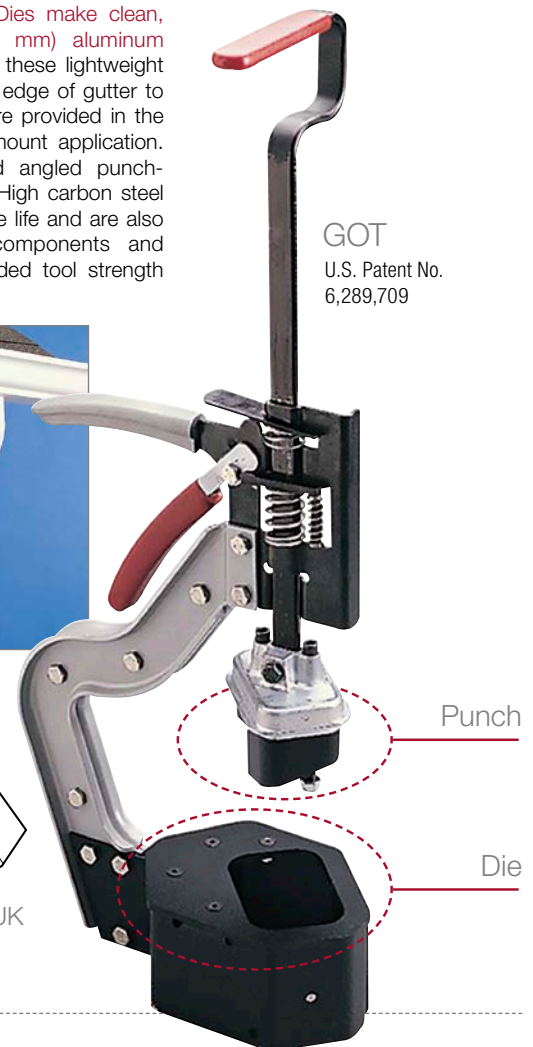
GOP23UK
GOP23LUK

GOP23LUK
GOP23UK
GOP34UK



GOP23XUK

GOP23XUK



Punch

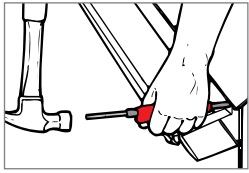
Die

Specifications

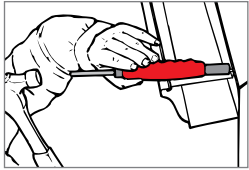
Catalog Number	Description	Frame Dimensions in. (cm.)	Net Wt. lbs. (kg)
GOT	Tool Frame	19x10 (48x25)	6.70 (3.04)
PUNCH AND DIE ASSEMBLIES			
	2.2" x 3.2" (56 x 81 mm) OVERSIZE Rectangular Hole (See descriptions above.)	—	—
GOP23LUK	Punch and Die Assy - Upgrade Kit	—	2.20 (1.00)
	2" x 3" (51 x 76 mm) Standard Rectangular Hole	—	—
GOP23UK	Punch and Die Assy - Upgrade Kit	—	2.20 (1.00)
	3" x 4" (76 x 102 mm) Standard Rectangular Hole	—	—
GOP34UK	Punch and Die Assy - Upgrade Kit	—	2.50 (1.13)
	2" x 3" (51 x 76 mm) X-Style (No drop required. Fasten downspout securely to ears created by X.)	—	—
GOP23XUK	Punch and Die Assy - Upgrade Kit	—	1.90 (0.86)
REPLACEMENT BLADES AND CHOCKS			
GOTRC	Replacement Chocks for (GOT)	—	—
GOP23LRB	Replacement Blade for (GOP23LUK)	—	1.30 (0.60)
GOPRB	Replacement Blade for (GOP23UK)	—	1.30 (0.60)
GOP34RB	Replacement Blade for (GOP34UK)	—	1.80 (0.82)
GOP23XRB	Replacement Blade for (GOP23XUK)	—	—

OVERSIZED DROPS Larger nominal 2" x 3" (56x81 mm) drops compatible with the GOP23LUK include: Amerimax | Berger Brothers | Buchner Mfg. | Clendenon | Gutter Suppliers | Lynch Aluminum | MetaTech | Matteo luminum | Petit | Raytec | US Aluminum

Gutter Nail Driver



Working from Above



Working from Below



GND

Works anywhere to attach gutter to fascia with ease.

Use the Malco Gutter Nail Driver with hidden hangers and 8D galvanized nails to hang aluminum or steel gutters. A non-slip ergonomic grip provides multiple positions for grasping tool and working from above or below roof overhang. Durable 2-piece steel construction plus weather resistant zinc and nickel plating assure long service life of this professional quality tool.

Snap Lock Punch

Not recommended for heavy sheet metal.



SL2R



Ideal for end caps on gutter.

Slide adjustment for throat depth allows settings from 1/4" to 5/8" (6 to 16 mm) depth. Also used to crimp end caps on gutter. Nickel plate and black oxide finish. Formed metal cutting jaws. Ergonomic Redline Handles with unique one-hand operation latch offer maximum compound leverage performance and natural fit and feel.

5 Blade Crimper



C4R

Produces a double crimp that downsizes without deforming down-spout; walls stay square for a tight fitting, leakproof connection.

Tool also features rust resistant plating. Ergonomic Redline Handles with unique one-hand operation latch offer maximum compound leverage performance and natural fit and feel.

Single Crimper



SC2

Light Duty tool without grips. Makes a single crimp for downsizing aluminum downspouts.

Specifications

Catalog Number	Description	Throat Depth in. (mm)	Variable Leverage Ratio (High / Low) throughout stroke	Jaws	Length in. (mm)	Net Wt. oz. (g)
GND	Gutter Nail Driver	—	—	—	7-5/8 (194)	7 (199)
SL2R	One-Inch Hand Notcher	1/4 to 5/8 (6.4 to 15.9)	—	—	8 (203)	16 (454)
C4R	5 Blade Crimper	1-1/4 (31.8)	7.1 to 1.0 - 9.8 to 1.0	Carbon Steel	9 (229)	16 (454)
SC2	Snap Lock Punch	1-1/8 (28.6)	—	—	8 (203)	8 (227)

CAPACITIES	Material	Aluminum	Copper	Stainless Steel 26 Gauge	Galvanized Steel 24 Gauge	Mild Steel 24 Gauge
C4R	inches (mm)	0.35 (0.89)	0.23 (0.58)	0.18 (0.46)	0.28 (0.71)	0.24 (0.61)

Replacement Spring for Hand Tools

5018	Fits C4R, SL2R
------	----------------