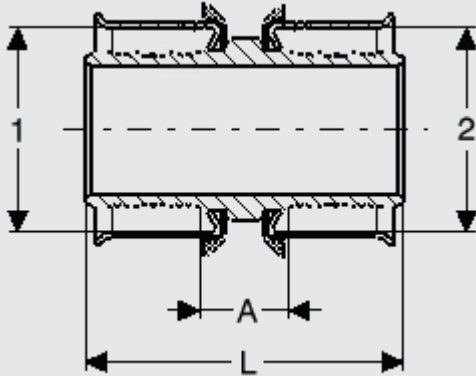
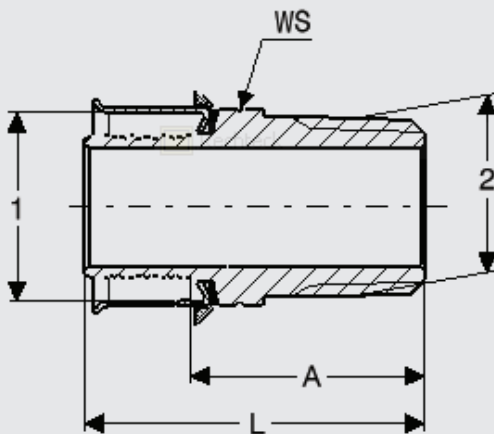


Dimensional Documentation PEX Press Fittings with Attached Sleeves



PEX Press Couplings			
Stock Code	Dimensions 1 x 2	A (in)	L (in)
83001	5/16"	0.394	1.378
83000	3/8"	0.394	1.378
83020	1/2"	0.394	1.378
83050	1/2" x 3/4"	0.394	1.378
83030	5/8"	0.394	1.378
83040	3/4"	0.394	1.378
83055	3/4" x 1"	0.472	1.575
83071	3/4" x 1-1/4"	0.512	1.870
83060	1"	0.472	1.693
83065	1" x 1-1/4"	0.551	2.028
83073	1" x 1-1/2"	0.551	2.028
83070	1-1/4"	0.669	2.402
83075	1-1/4" x 1-1/2"	0.591	2.323
83080	1-1/2"	0.669	2.402
83072	3/4" x 1-1/2"	0.512	1.870

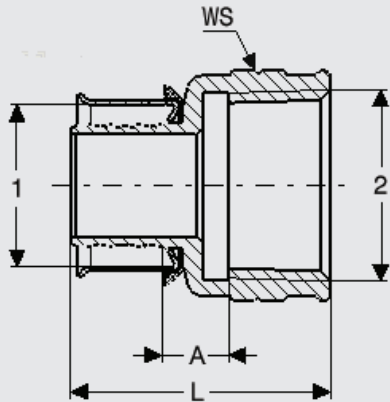


PEX Press Male NPT Adapters				
Stock Code	Dimensions 1 x 2	A (in)	L (in)	WS (in)
80506	3/8" x 1/2" M NPT	1.280	1.791	0.866
80521	1/2" x 1/2" M NPT	1.240	1.752	0.866
80526	1/2" x 3/4" M NPT	1.280	1.791	1.063
80527	5/8" x 1/2" M NPT	1.240	1.752	0.866
80531	5/8" x 3/4" M NPT	1.280	1.791	1.063
80542	3/4" x 1/2" M NPT	1.102	1.610	0.866
80541	3/4" x 3/4" M NPT	1.299	1.791	1.063
80546	3/4" x 1" M NPT	1.575	2.067	1.339
80562	3/4" x 1-1/4" M NPT	1.654	2.146	1.732
80556	1" x 3/4" M NPT	1.339	1.949	1.063
80561	1" x 1" M NPT	1.614	2.224	1.339
80566	1" x 1-1/4" M NPT	1.654	2.264	1.732
80571	1-1/4" x 1-1/4" M NPT	1.673	2.539	1.732
80581	1-1/2" x 1-1/2" M NPT	1.791	2.657	1.969

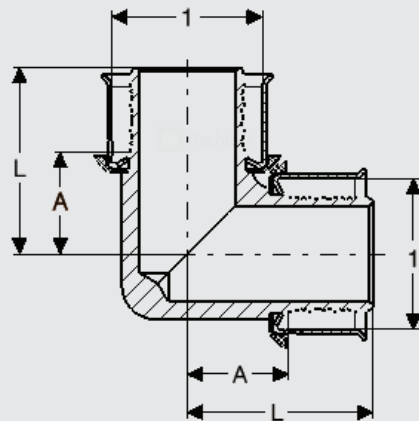
Viega... the global leader in plumbing and heating systems.

301 N. Main, 9th Floor • Wichita, KS 67202 • Ph: 800-976-9819 • Fax: 800-976-9817 • E-Mail: service@viega.com • www.viega.com

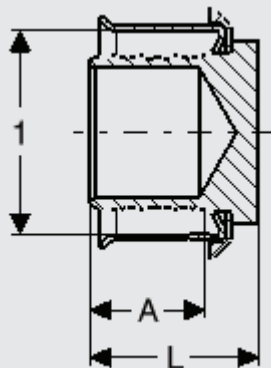
Dimensional Documentation PEX Press Fittings with Attached Sleeves



PEX Press Female NPT Adapters				
Stock Code	Dimensions 1 x 2	A (in)	L (in)	WS (in)
81520	1/2" x 1/2" F NPT	0.354	1.378	0.984
81525	1/2" x 3/4" F NPT	0.354	1.417	1.201
81541	3/4" x 1/2" F NPT	0.354	1.378	0.984
81540	3/4" x 3/4" F NPT	0.354	1.417	1.201
81545	1" x 3/4" F NPT	0.394	1.575	1.201
81560	1" x 1" F NPT	0.413	1.693	1.476



PEX Press Elbows			
Stock Code	Dimensions 1	A (in)	L (in)
83520	1/2"	0.472	0.965
83530	5/8"	0.591	1.102
83540	3/4"	0.591	1.102
83560	1"	0.886	1.496
83570	1-1/4"	0.945	1.811
83580	1-1/2"	1.083	1.949

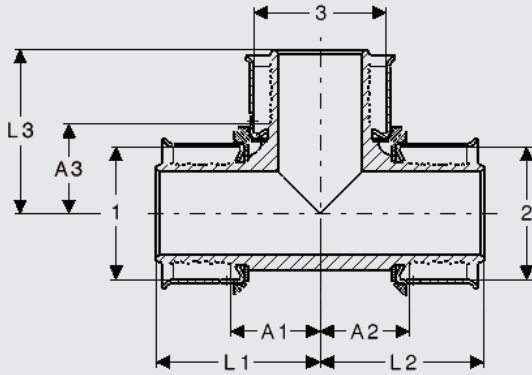


PEX Press Test Plugs			
Stock Code	Dimensions 1	A (in)	L (in)
85000	3/8"	0.472	0.728
85121	1/2"	0.472	0.728
85131	5/8"	0.472	0.728
85141	3/4"	0.472	0.728
85161	1"	0.610	0.925

Viega... the global leader in plumbing and heating systems.

301 N. Main, 9th Floor • Wichita, KS 67202 • Ph: 800-976-9819 • Fax: 800-976-9817 • E-Mail: service@viega.com • www.viega.com

Dimensional Documentation PEX Press Fittings with Attached Sleeves

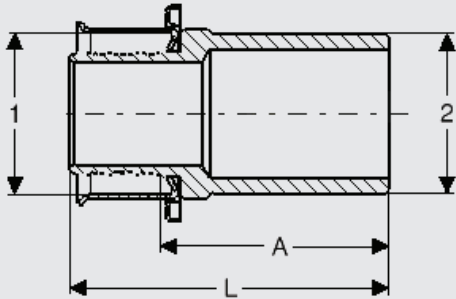


PEX Press Tees / Reducing Tees							
Stock Code	Dimensions 1 x 2 x 3	A1 (in)	A2 (in)	A3 (in)	L1 (in)	L2 (in)	L3 (in)
84020	1/2"	0.472	0.472	0.472	0.965	0.965	0.965
84021	1/2" x 3/8" x 3/8"	0.472	0.472	0.472	0.965	0.965	0.965
84022	1/2" x 1/2" x 3/4"	0.591	0.591	0.591	1.083	1.083	1.083
84030	5/8"	0.591	0.591	0.591	1.083	1.083	1.083
84040	3/4"	0.591	0.591	0.591	1.083	1.083	1.083
84032	3/4" x 1/2" x 1/2"	0.591	0.591	0.591	1.083	1.083	1.083
84034	3/4" x 1/2" x 3/4"	0.591	0.591	0.591	1.083	1.083	1.083
84036	3/4" x 3/4" x 1/2"	0.591	0.591	0.591	1.083	1.083	1.083
84060	1"	0.886	0.886	0.886	1.496	1.496	1.496
84037	1" x 1/2" x 1/2"	0.591	0.591	0.787	1.201	1.083	1.280
84039	1" x 1/2" x 1"	0.768	0.748	0.768	1.378	1.240	1.378
84038	1" x 3/4" x 1/2"	0.591	0.591	0.787	1.201	1.083	1.280
84052	1" x 3/4" x 3/4"	0.807	0.768	0.846	1.398	1.260	1.339
84053	1" x 3/4" x 1"	0.748	0.689	0.748	1.378	1.201	1.378
84050	1" x 1" x 1/2"	0.689	0.689	0.846	1.280	1.299	1.339
84056	1" x 1" x 3/4"	0.807	0.807	0.846	1.417	1.417	1.339
84070	1-1/4"	0.945	0.945	0.945	1.811	1.811	1.811
84071	1-1/4" x 1" x 3/4"	0.728	0.748	0.906	1.594	1.358	1.398
84073	1-1/4" x 1" x 1"	0.807	0.827	0.945	1.673	1.437	1.555
84072	1-1/4" x 1-1/4" x 3/4"	0.728	0.728	0.886	1.594	1.594	1.398
84074	1-1/4" x 1-1/4" x 1"	0.807	0.807	0.945	1.673	1.673	1.555
84080	1-1/2"	1.299	1.299	1.299	2.165	2.165	2.165
84081	1-1/2" x 1" x 3/4"	0.728	0.669	0.984	1.594	1.280	1.476
84082	1-1/2" x 1" x 1"	0.846	0.866	1.024	1.713	1.476	1.634
84083	1-1/2" x 1-1/2" x 3/4"	0.728	0.728	0.984	1.594	1.594	1.476
84084	1-1/2" x 1-1/2" x 1"	0.846	0.846	1.024	1.713	1.713	1.634
84085	1-1/2" x 1-1/2" x 1-1/4"	0.965	0.965	1.063	1.831	1.831	1.929

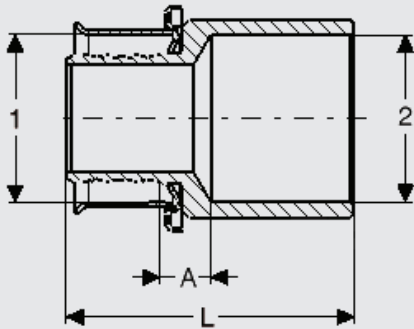
Viega... the global leader in plumbing and heating systems.

301 N. Main, 9th Floor • Wichita, KS 67202 • Ph: 800-976-9819 • Fax: 800-976-9817 • E-Mail: service@viega.com • www.viega.com

Dimensional Documentation PEX Press Fittings with Attached Sleeves



PEX Press Copper Fitting Adapters			
Stock Code	Dimensions 1 x 2	A (in)	L (in)
87520	1/2" x 1/2"	1.083	1.575
87525	1/2" x 3/4"	1.260	1.752
87530	5/8" x 1/2"	1.083	1.575
87531	5/8" x 3/4"	1.260	1.752
87535	3/4" x 1/2"	1.102	1.594
87540	3/4" x 3/4"	1.260	1.752
87545	3/4" x 1"	1.260	1.752
87560	1" x 1"	1.299	1.909
57570	1-1/4" x 1-1/4"	1.634	2.520
57580	1-1/2" x 1-1/2"	2.008	2.874

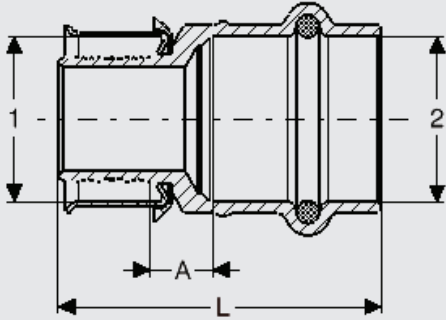


PEX Press Copper Tubing Adapters			
Stock Code	Dimensions 1 x 2	A (in)	L (in)
82006	3/8" x 1/2"	0.276	1.280
82021	1/2" x 1/2"	0.236	1.240
82026	1/2" x 3/4"	0.276	1.516
82027	5/8" x 1/2"	0.256	1.240
82031	5/8" x 3/4"	0.276	1.516
82036	3/4" x 1/2"	0.197	1.181
82041	3/4" x 3/4"	0.276	1.516
82045	3/4" x 1"	0.354	1.772
82060	1" x 1"	0.335	1.890
82070	1-1/4" x 1-1/4"	0.433	2.264
82080	1-1/2" x 1-1/2"	0.453	2.441

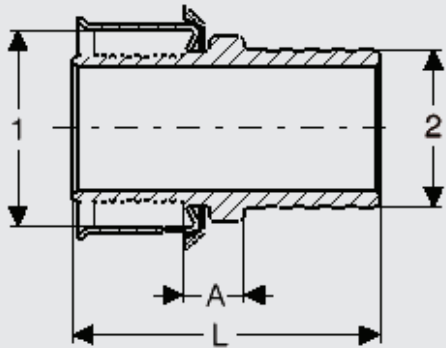
Viega... the global leader in plumbing and heating systems.

301 N. Main, 9th Floor • Wichita, KS 67202 • Ph: 800-976-9819 • Fax: 800-976-9817 • E-Mail: service@viega.com • www.viega.com

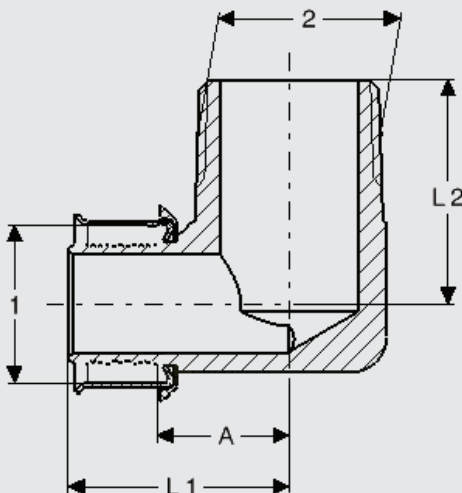
Dimensional Documentation PEX Press Fittings with Attached Sleeves



PEX Press ProPress Adapters			
Stock Code	Dimensions 1 x 2	A (in)	L (in)
69620	1/2" x 1/2"	0.295	1.535
69626	1/2" x 3/4"	0.433	1.831
69627	5/8" x 1/2"	0.256	1.496
69628	5/8" x 3/4"	0.413	1.811
69630	3/4" x 1/2"	0.217	1.457
69640	3/4" x 3/4"	0.335	1.732
69660	1" x 1"	0.453	1.969
69670	1-1/4" x 1-1/4"	0.492	2.382
69680	1-1/2" x 1-1/2"	0.591	2.874



PEX Press PB Adapters			
Stock Code	Dimensions 1 x 2	A (in)	L (in)
87820	1/2" x 1/2"	0.276	1.378
87840	3/4" x 3/4"	0.276	1.378



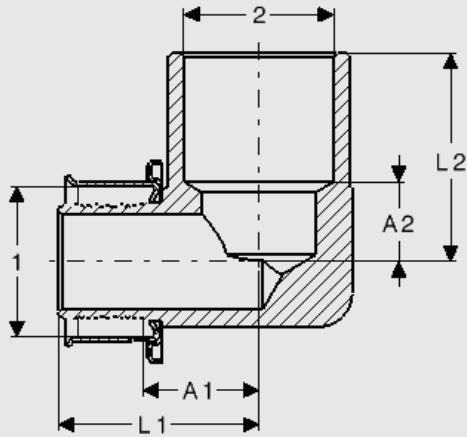
PEX Press Male NPT Elbows				
Stock Code	Dimensions 1 x 2	A (in)	L1 (in)	L2 (in)
82520	1/2" x 1/2" M NPT	0.630	1.142	1.181
82525	1/2" x 3/4" M NPT	0.748	1.220	1.260
82540	3/4" x 3/4" M NPT	0.748	1.240	1.260
82545	3/4" x 1" M NPT	0.984	1.476	1.811
82565	3/4" x 1-1/4" M NPT	1.319	1.811	1.673
82560	1" x 1" M NPT	0.984	1.594	1.811
82570	1" x 1-1/4" M NPT	1.319	1.929	1.673
82575	1-1/4" x 1-1/4" M NPT	1.319	2.185	1.673

Viega... the global leader in plumbing and heating systems.

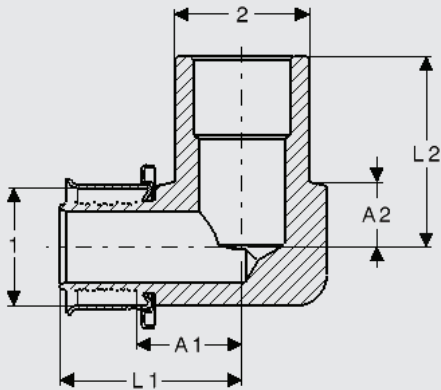
301 N. Main, 9th Floor • Wichita, KS 67202 • Ph: 800-976-9819 • Fax: 800-976-9817 • E-Mail: service@viega.com • www.viega.com

Dimensional Documentation

PEX Press Fittings with Attached Sleeves



PEX Press Copper Tubing Elbows					
Stock Code	Dimensions 1 x 2	A1 (in)	A2 (in)	L1 (in)	L2 (in)
89307	1/2" x 1/2"	0.709	0.413	1.201	1.240
89308	1/2" x 3/4"	0.689	0.472	1.181	1.220
89313	5/8" x 1/2"	0.689	0.728	1.181	1.240
89312	5/8" x 3/4"	0.689	0.472	1.181	1.240
89311	3/4" x 1/2"	0.689	0.728	1.181	1.240
89309	3/4" x 3/4"	0.689	0.472	1.181	1.220

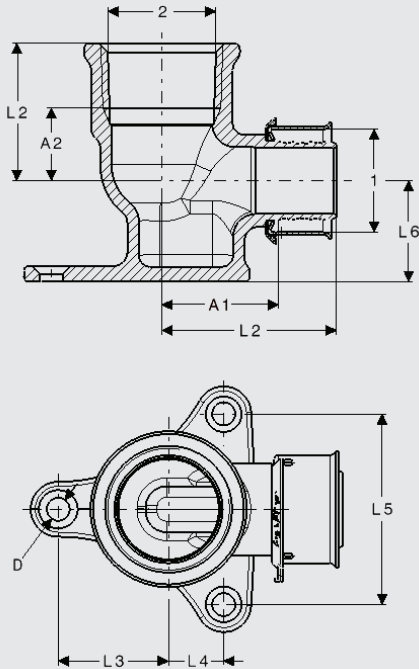


PEX Press Copper Fitting Elbows					
Stock Code	Dimensions 1 x 2	A1 (in)	A2 (in)	L1 (in)	L2 (in)
89310	1/2" x 1/2"	0.571	0.472	1.063	1.063
89307	1/2" x 3/4"	0.709	0.413	1.201	1.240
89313	5/8" x 3/4"	0.689	0.413	1.181	1.240
89311	3/4" x 3/4"	0.689	0.413	1.181	1.240

Viega... the global leader in plumbing and heating systems.

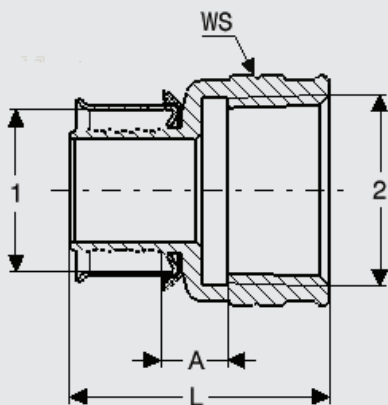
301 N. Main, 9th Floor • Wichita, KS 67202 • Ph: 800-976-9819 • Fax: 800-976-9817 • E-Mail: service@viega.com • www.viega.com

Dimensional Documentation PEX Press Fittings with Attached Sleeves



PEX Press Drop Ear Elbows

Stock Code	Dimensions 1 x 2	A1 (in)	A2 (in)	L1 (in)	L2 (in)	L3 (in)	L4 (in)	L5 (in)	L6 (in)	D (in)
84505	3/8" x 1/2" F NPT	0.886	0.453	1.378	0.984	0.787	0.394	1.358	0.866	0.197
84520	1/2" x 1/2" F NPT	0.886	0.453	1.378	0.984	0.787	0.394	1.358	0.866	0.197
84535	3/4" x 1/2" F NPT	0.886	0.531	1.378	1.063	0.787	0.394	1.358	0.866	0.197
84540	3/4" x 3/4" F NPT	1.004	0.630	1.496	1.181	0.945	0.472	1.634	0.866	0.197



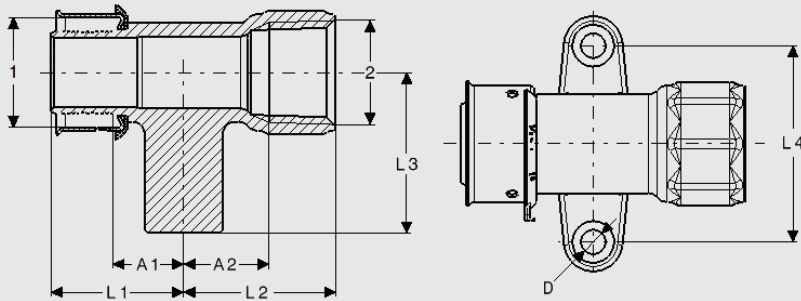
PEX Press Fire Sprinkler Female NPT Adapters

Stock Code	Dimensions 1 x 2	A (in)	L (in)	WS (in)
81541	3/4" x 1/2" F NPT	0.354	1.378	0.984

Viega... the global leader in plumbing and heating systems.

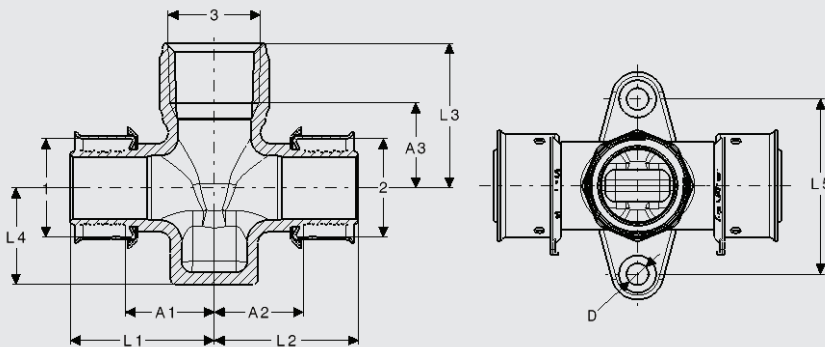
301 N. Main, 9th Floor • Wichita, KS 67202 • Ph: 800-976-9819 • Fax: 800-976-9817 • E-Mail: service@viega.com • www.viega.com

Dimensional Documentation PEX Press Fittings with Attached Sleeves



PEX Press Fire Sprinkler Adapter

Stock Code	Dimensions 1 x 2	A1 (in)	A2 (in)	L1 (in)	L2 (in)	L3 (in)	L4 (in)	D (in)
84632	3/4" x 1/2" F NPT	0.571	0.689	1.063	1.220	1.280	1.575	0.197



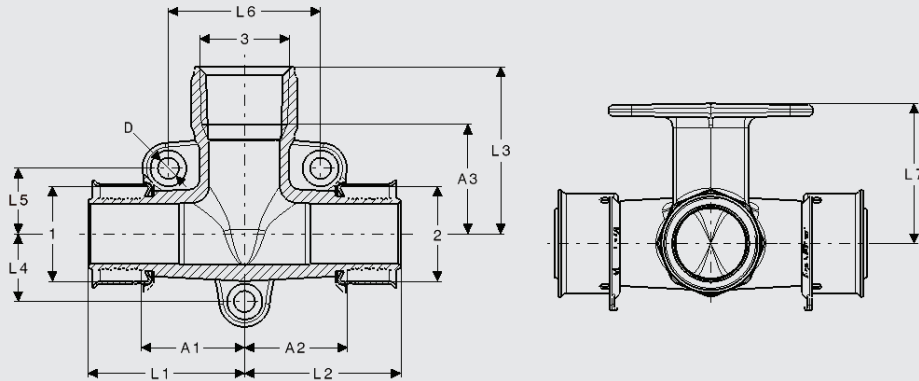
PEX Press Fire Sprinkler Horizontal Tees

Stock Code	Dimensions 1 x 2	A1 (in)	A2 (in)	L1 (in)	L2 (in)	L3 (in)	L4 (in)	L5 (in)	L6 (in)	D (in)
84636	3/4" x 3/4" x 1/2" F NPT	0.807	0.807	0.768	1.299	1.299	1.299	0.866	1.575	0.197
84638	1" x 3/4" x 1/2" F NPT	0.787	1.063	0.906	1.280	1.673	1.457	0.866	1.575	0.197
84639	1" x 1" x 1/2" F NPT	1.063	1.063	0.906	1.673	1.673	1.437	0.866	1.575	0.197

Viega... the global leader in plumbing and heating systems.

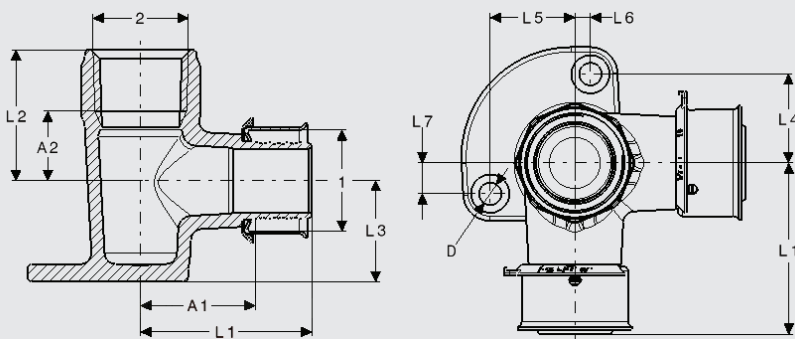
301 N. Main, 9th Floor • Wichita, KS 67202 • Ph: 800-976-9819 • Fax: 800-976-9817 • E-Mail: service@viega.com • www.viega.com

Dimensional Documentation PEX Press Fittings with Attached Sleeves



PEX Press Fire Sprinkler Vertical Tees							
Stock Code	Dimensions 1 x 2	A1 (in)	A2 (in)	A3 (in)	L1 (in)	L2 (in)	L3 (in)
84736	3/4" x 3/4" x 1/2" F NPT	0.965	0.965	1.024	1.457	1.457	1.555
84738	1" x 3/4" x 1/2" F NPT	1.142	1.024	1.083	1.634	1.634	1.614
84739	1" x 1" x 1/2" F NPT	1.024	1.024	1.083	1.634	1.634	1.614

L4 (in)	L5 (in)	L6 (in)	L7 (in)	D (in)
0.630	0.610	1.417	1.299	0.197
0.748	0.689	1.654	1.417	0.197
0.748	0.689	1.654	1.417	0.197



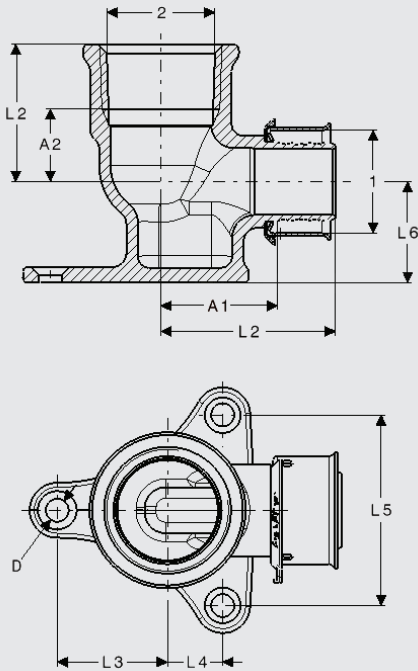
PEX Press Fire Sprinkler Elbow (Double)							
Stock Code	Dimensions 1 x 2	A1 (in)	A2 (in)	L1 (in)	L2 (in)	L3 (in)	L4 (in)
84646	3/4" x 3/4" x 1/2" F NPT	1.004	0.610	1.496	1.142	0.886	0.787

L5 (in)	L6 (in)	L7 (in)	D (in)
0.748	0.138	0.276	0.197

Viega... the global leader in plumbing and heating systems.

301 N. Main, 9th Floor • Wichita, KS 67202 • Ph: 800-976-9819 • Fax: 800-976-9817 • E-Mail: service@viega.com • www.viega.com

Dimensional Documentation PEX Press Fittings with Attached Sleeves



PEX Press Fire Sprinkler Elbows

Stock Code	Dimensions 1 x 2	A1 (in)	A2 (in)	L1 (in)	L2 (in)	L3 (in)	L4 (in)	L5 (in)	L6 (in)	D (in)
84635	3/4" x 1/2" F NPT	0.886	0.768	1.378	1.299	0.787	0.394	1.358	0.866	0.197
84640	1" x 1/2" F NPT	0.965	0.925	1.575	1.457	0.787	0.394	1.358	0.866	0.197

Viega... the global leader in plumbing and heating systems.

301 N. Main, 9th Floor • Wichita, KS 67202 • Ph: 800-976-9819 • Fax: 800-976-9817 • E-Mail: service@viega.com • www.viega.com