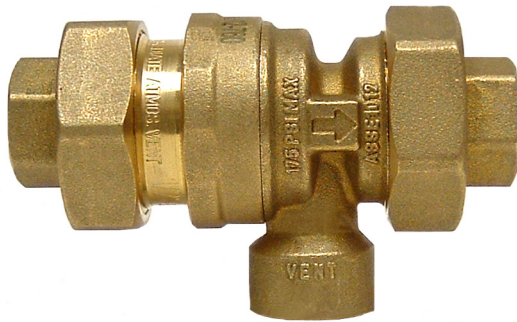


SPECIFICATION SUBMITTAL SHEET



FEATURES

Sizes: 1/2" 3/4"

Maximum working water pressure 175 PSI
 Maximum working water temperature 210°F
 Threaded connections ANSI B1.20.1
 Copper connections ANSI B16.22
 Internationally Manufactured

OPTIONS

- with FNPT (female) threaded union inlet and outlet connection (standard)
- C - with FC (female) copper sweat union inlet and outlet connection
- DR - with dezincification resistant brass, unthreaded vent
- BS - with British straight thread tailpieces

ACCESSORIES

- 80CI - Fast fill regulator
- HXT - Hydronic Expansion Tank
- TP1100AC - Temperature and pressure relief valve
- P1000AC - Pressure relief valve
- 876CI - Combination 80CI and 760

DIMENSIONS & WEIGHTS (do not include pkg.)

MODEL SIZE		DIMENSIONS (approximate)										WEIGHT			
		A		B		C		D		E				F	
in.	mm	in.	mm	in.	mm	in.	mm	in.	mm	in.	mm	F			
1/2	10	1 7/8	48	4 1/8	105	2 1/2	64	1 9/16	40	1 11/16	43	1/2" FNPT		1.3	0.6
3/4	15	1 7/8	48	4 1/8	105	2 1/2	64	1 9/16	40	1 11/16	43	1/2" FNPT		1.3	0.6

APPLICATION

Designed for installation on boiler fill water lines to protect against both backsiphonage and backpressure of polluted water into the potable water supply. Assembly shall provide protection where a potential health hazard does not exist.

STANDARDS COMPLIANCE

- CSA® Certified
- ASSE® Listed 1012
- SAI Global Watermark (DR)



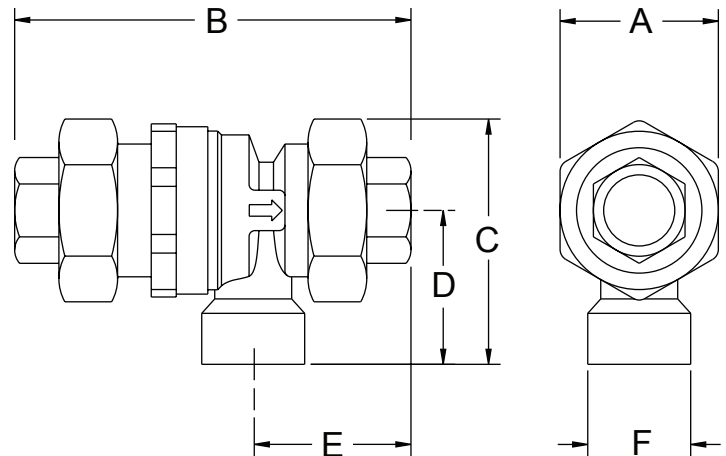
WATERMARK
AS/NZS 2845.1
LIC. 1379

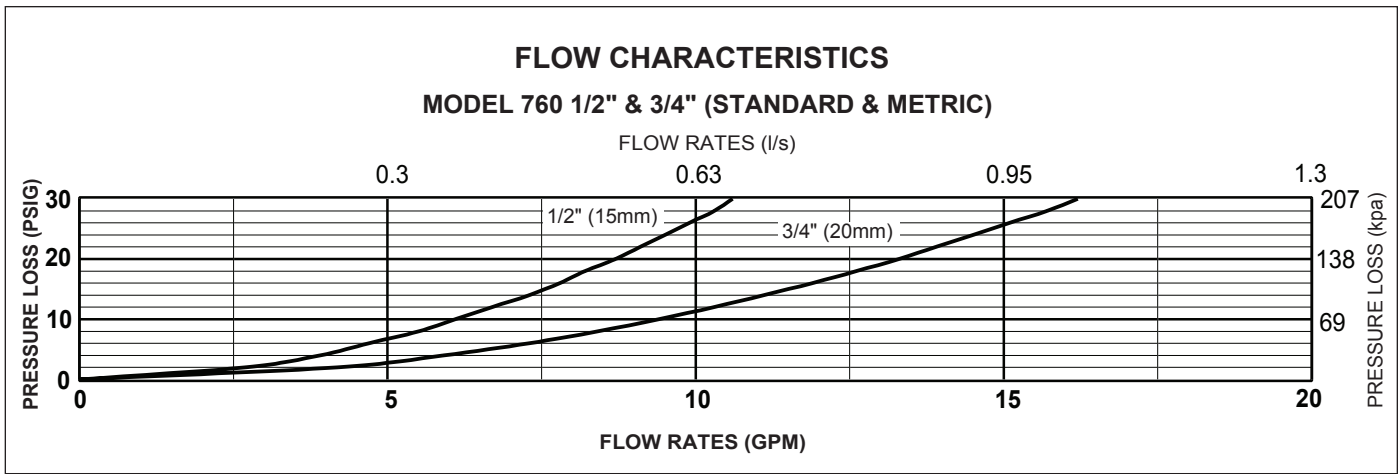


TYPE TESTED
AS/NZS 4020
LIC. 20111

MATERIALS

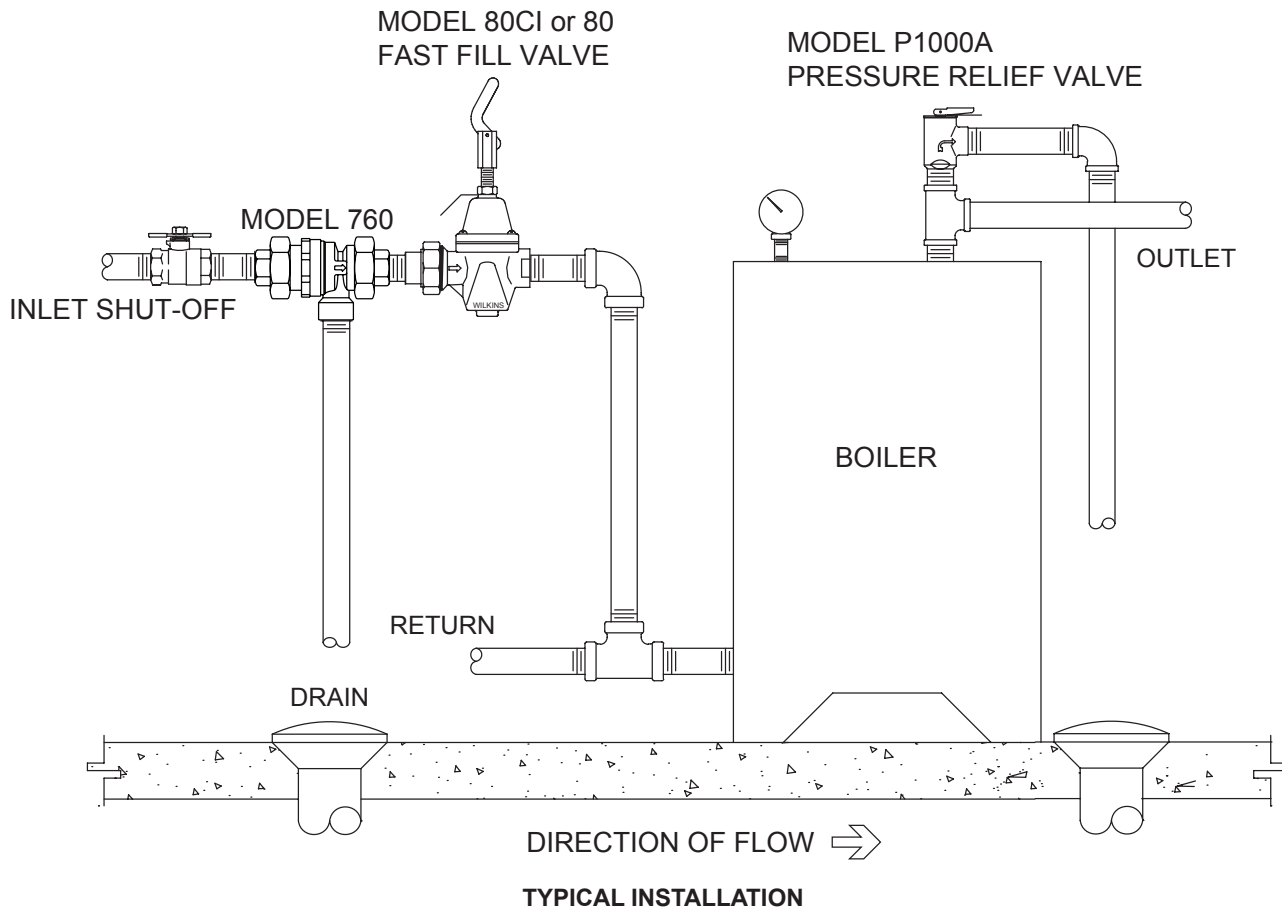
Main valve body Forged Brass
 Elastomers EPDM (FDA approved)
 Buna Nitrile (FDA approved)
 Springs Stainless Steel, 300 Series





TYPICAL INSTALLATION

Under certain conditions, the Model 760 will spill water from the vent port. **WARNING:** Provisions must be made to collect this spillage through an air gap or other means. The vent port should never be directly piped into a drainage ditch, sewer or pump. Under no circumstances should the vent port or drain line be plugged. Local codes shall govern installation requirements. To be installed in accordance with the manufacturers' installation instructions and the latest edition of the Uniform Plumbing Code. The installation shall be made so that no part of the unit can be submerged.



SPECIFICATIONS

The Dual Check Valve Assembly with Intermediate Atmospheric Vent shall be ASSE® 1012 Listed, and supplied with two matching union tailpiece assemblies. The main body shall be forged brass and the springs shall be stainless steel (300 series). The Dual Check Valve Assembly with Intermediate Atmospheric Vent shall be a WILKINS Model 760.