

# 771 CPVC Ball Valve • Spec Sheet



## FEATURES & BENEFITS

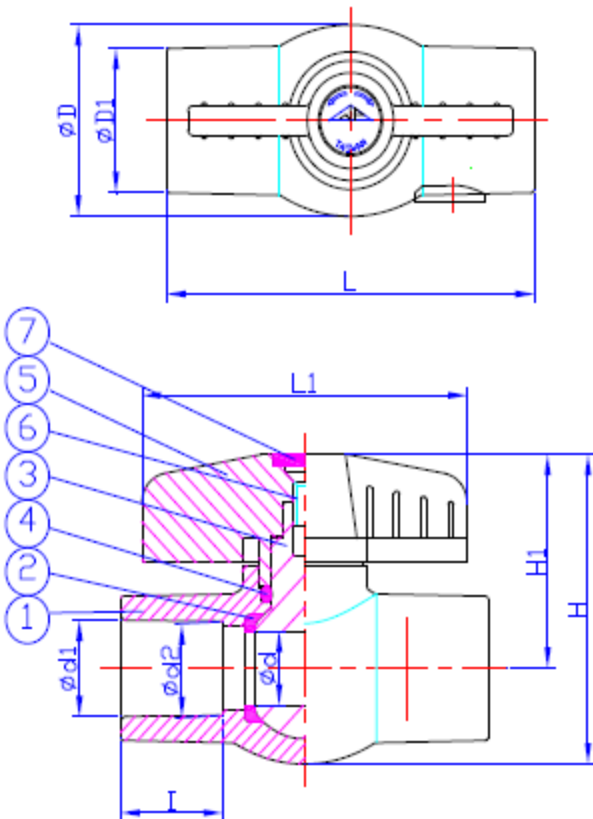
- ISO-9002
- 100 PSI @ 180 Deg. F.
- Solvent Ends Comply with ASTM D2846
- CPVC
- PTFE Seat Seals
- NSF Approved
- Sizes 1/2" – 2"

## MATERIAL SPECIFICATIONS

No.	Part	Material
1	Body	CPVC
2	Seat Seal	PTFE
3	Ball	CPVC
4	O – Ring	EPDM
5	Handle	ABS
6	Bolt	Zinc- Plated Steel
7	Cap	ABS

## DIMENSIONS

Size	1/2"	3/4"	1"	1-1/4"	1-1/2"	2"
D	1.26	1.58	2.05	2.25	2.48	3.11
D1	0.95	1.18	1.50	1.77	2.13	2.60
d	0.49	0.72	0.93	0.99	1.18	1.42
d1	0.63	0.88	1.14	1.39	1.64	2.14
d2	0.62	0.87	1.12	1.37	1.63	2.12
L	2.68	3.27	3.78	4.18	4.49	5.69
L1	2.36	2.76	3.47	3.94	3.94	4.29
H	2.05	2.56	3.23	3.66	3.86	4.53
H1	1.42	1.77	2.21	2.56	2.64	3.07
I	0.75	0.87	1.00	1.11	1.26	1.69




**MATCO-NORCA**  
 Global sourcing. National compliance. Local service.

**CALIFORNIA** 5593 Fresca Dr., La Palma CA 90623 • Toll Free: 866-532-8306 • Fax: 866-532-8307  
**TEXAS** 1150 Silber Rd., Houston TX 77055 • Toll Free: 800-935-5456 • Fax: 713-680-2999  
**NEW YORK** PO Box 27, Rt. 22, Brewster NY 10509 • Toll Free: 800-431-2082 • Fax: 845-278-9056  
 WEB: [www.matco-norca.com](http://www.matco-norca.com) EMAIL: [mail@matco-norca.com](mailto:mail@matco-norca.com)