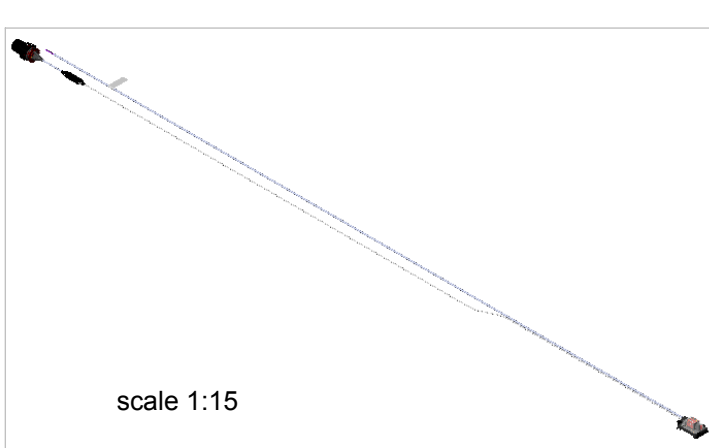
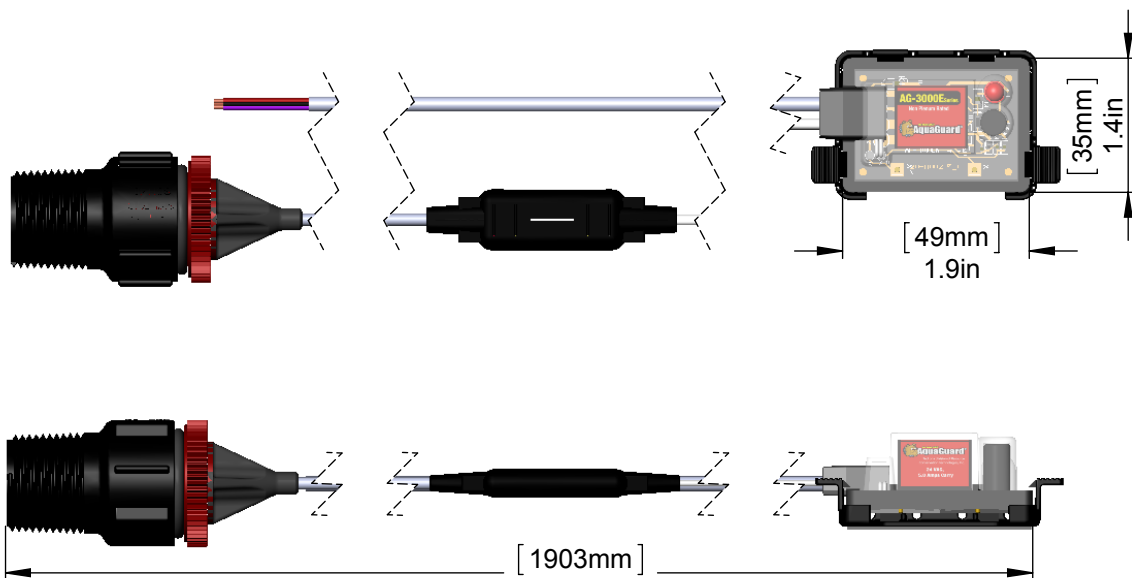
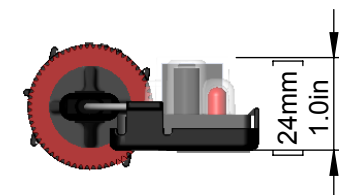
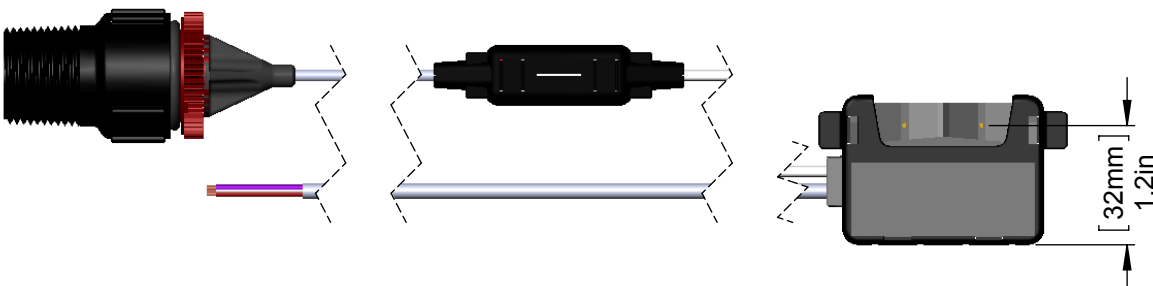


C



C

B



B

ENGINEERING	NAME	DATE
DRAWN BY ENG.	JK	3/1/12
CHECKED BY ENG.	DS	3/1/12
ENG APPR.	CC	3/1/12
MFG APPR.	CC	3/1/12

RESOURCE
 CONSERVATION TECHNOLOGIES
 64208 PARKLAND DRIVE SUITE 102
 SARASOTA, FL 34243 888-708-6622

A

NOTES:
 24 VAC 5.0 AMPS
 BREAKING/ CARRYING
 PLENUM RATED
 3/4 MPT

UNLESS OTHERWISE SPECIFIED:
 DIMENSIONS ARE IN INCHES
 TOLERANCES:
 FRACTIONAL ±.032
 ANGULAR: MACH ± .5° BEND ±2°
 TWO PLACE DECIMAL ± .010
 THREE PLACE DECIMAL ± .005
 INTERPRET GEOMETRIC
 TOLERANCING PER: ANSI Y14.5, 1994

PROPRIETARY AND CONFIDENTIAL
 THE INFORMATION CONTAINED IN THIS
 DRAWING IS THE SOLE PROPERTY OF
 RESOURCE CONSERVATION
 TECHNOLOGIES, INC. ANY
 REPRODUCTION IN PART OR AS A
 WHOLE WITHOUT THE WRITTEN
 PERMISSION OF RESOURCE
 CONSERVATION TECHNOLOGIES IS
 PROHIBITED.

TITLE: AG-3175E SPECIFICATION SHEET		
SIZE A	SCALE: 1:2	SHEET 1 OF 1