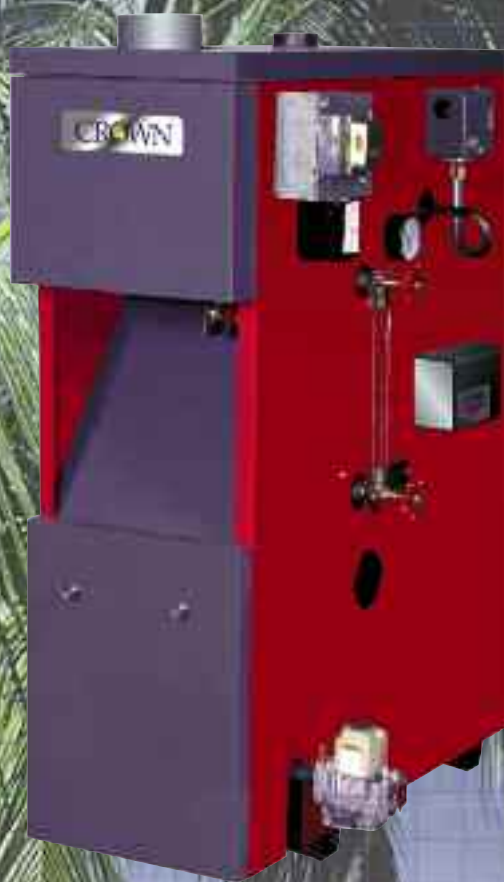


BERMUDA

Gas-fired steam boiler

*Sets the standard
for single and multi-family
residential and small
commercial applications*



CROWN

- Time-tested design
- Latest in controls and safety features
- Built-in draft diverter to fit low spaces
- Attractive rugged jacket
- Insulated to save energy
- Fully assembled and tested before shipment
- Ten sizes from 69,000 to 379,000 BTU input



BERMUDA

Bermuda gas-fired steam boilers provide a wide range of sizes that can efficiently service single family homes, multi-family residences and small businesses. An approved chimney is required.



Crafted with rugged, cast iron heat exchangers and stainless steel burners, the Bermuda offers proven-in-service reliability, simplicity of design and economy in its purchase price and consumption of fuel.

The heat exchangers are built with steel push nipples below the water line where superior strength and resistance to expansion and contraction is important, and cast iron push nipples above the water line where corrosion resistance is key. The cast iron push nipples are larger than usually found on such units to provide optimum steam quality.

Attractive and durable, the powder-coated jacket resists scratching. Plus, it's insulated to retain heat.

The Bermuda meets all national standards, and the heat exchanger meets the specifications of the American Society of Mechanical Engineers.

Bermuda is the latest in a series of designs that CROWN engineers have created for ease of use, constructed for long life, convenient to install and service, and engineered to provide the most value for each energy dollar.



**CROWN's
Commitment
to Quality**

For Safety:

- ✓ Fully assembled – ready for installation or available as a knock-down package
- ✓ Factory tested for flame quality, leaks, control system operation and overall performance
- ✓ Probe or float low-water cut-off or optional low-water cut-off/feeder combination
- ✓ “Redundant” gas valve
- ✓ Spill switch detects venting problems
- ✓ Rollout switch detects heat exchanger blockage
- ✓ Gauge glass
- ✓ ASME pop safety valve (set at 15 psi.)
- ✓ Can be installed on combustible floors

BERMUDA

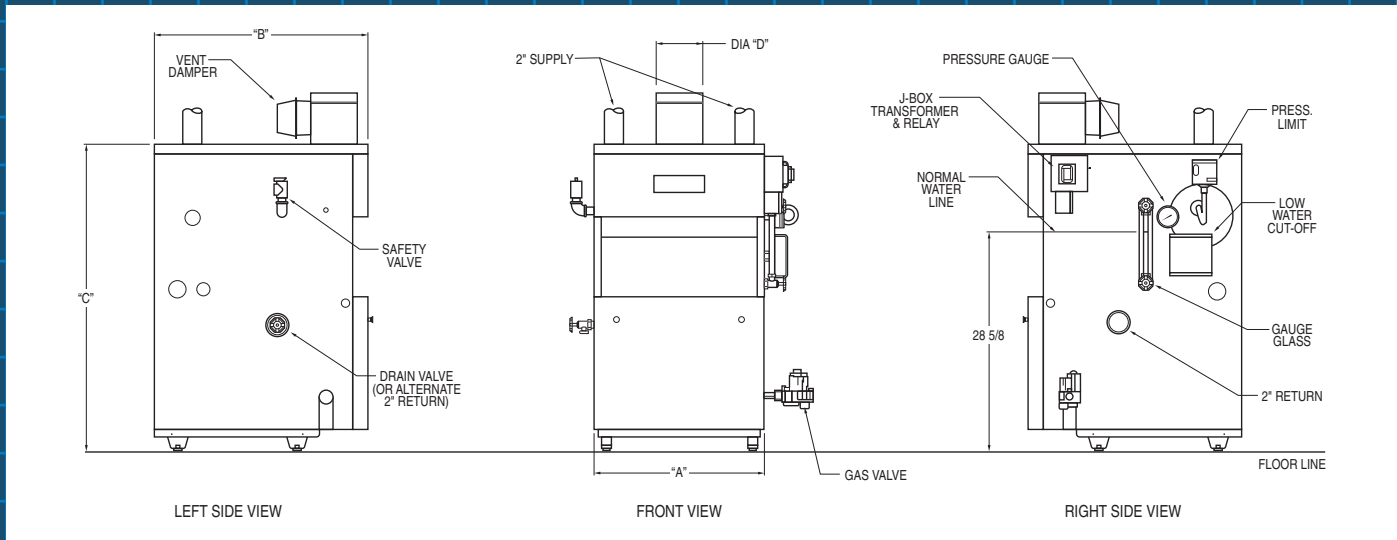
has all these features for optimum **safety** and **performance**

For Performance:

- ✓ Cast iron heat exchanger with a 12-year limited warranty
- ✓ Stainless steel burners with a lifetime limited warranty
- ✓ Tappings permit installation of Mega-Stor indirect water heater
- ✓ Isolation relay simplifies thermostat wiring
- ✓ Standing pilot or electronic ignition available
- ✓ Appliance quality, powder-coated jacket
- ✓ Automatic vent damper*
- ✓ Fiber-glass insulation to minimize wasteful heat loss
- ✓ Base and flue constructed of aluminized steel for corrosion resistance
- ✓ Drain valve
- ✓ Built-in draft diverter allows boiler to fit into low spaces
- ✓ Ten sizes from 69,000 to 379,000 BTU input to serve a range of applications from small residential to commercial
- ✓ Optional 5 or 10 year extended parts and labor warranty coverage

*BSI069 thru BSI276

BERMUDA CROWN value built in...



Satisfied customers are our goal. So CROWN boilers are factory assembled, pretested, and wired for reliable and quick installation. Servicing is easy, with features like convenient access doors and a jacket top knock-out that permits removal around supply piping.

A wide range of products and capacities serves most residential and commercial heating needs. Pricing is competitive, backed by attractive warranties and optional extended coverage.

SPECIFICATIONS

| Basic Boiler Model | No. of Sections | Natural or LP Gas* | | | | | | Dimensions (in.) | | | | Water Vol.*** (Gal.) |
|--------------------|-----------------|--------------------|------------------------|-----------------------|-------|----------------|------------|------------------|-----|---------|-----|----------------------|
| | | Input (MBH) | Heating Capacity (MBH) | IBR Net Rating, Steam | | AFUE (%) | | "A" | "B" | "C" | "D" | |
| | | | | (Sq. Ft.) | (MBH) | Standing Pilot | Int. Pilot | | | | | |
| BSI069 | 3 | 69 | 57 | 179 | 43 | 80.0 | 81.9 | 12-3/4 | 28 | 40-7/16 | 4 | 5.1 |
| BSI103 | 4 | 103 | 85 | 267 | 64 | 80.0 | 82.0 | 16 | 28 | 40-7/16 | 5 | 6.5 |
| BSI138 | 5 | 138 | 113 | 354 | 85 | 80.3 | 82.0 | 19-1/4 | 28 | 40-7/16 | 6 | 7.9 |
| BSI172 | 6 | 172 | 142 | 446 | 107 | 80.6 | 82.1 | 22-1/2 | 28 | 40-7/16 | 6 | 9.3 |
| BSI207 | 7 | 207 | 171 | 533 | 128 | 80.9 | 82.1 | 25-3/4 | 30 | 40-7/16 | 7 | 10.7 |
| BSI241 | 8 | 241 | 199 | 621 | 149 | 80.0 | 82.2 | 29 | 30 | 40-7/16 | 7 | 12.1 |
| BSI276 | 9 | 276 | 227 | 708 | 170 | 80.3 | 82.2 | 32-1/4 | 30 | 40-7/16 | 8 | 13.5 |
| BSI310 | 10 | 310 | 253 | 792 | 190 | 81.5** | | 35-1/2 | 30 | 45-7/16 | 8 | 14.9 |
| BSI345 | 11 | 345 | 282 | 883 | 212 | 81.6** | | 38-3/4 | 30 | 45-7/16 | 9 | 16.3 |
| BSI379 | 12 | 379 | 309 | 967 | 232 | 81.6** | | 42 | 30 | 45-7/16 | 9 | 17.7 |

* BSI345 and BSI379 not available for elevations above 2000 ft.

** BSI345 and BSI379 not available for use with LP gas

** Combustion efficiency

*** Volume to normal water line

- Altitudes above 2,000 ft.— ratings should be reduced at a rate of 4% for each 1,000 feet above sea level (U.S.A. only), in Canada, boilers are certified for altitudes up to 2,000 feet only.
- Please specify fuel (natural gas or LPG) and ignition system type (standing pilot or electronic ignition) when ordering.
- Specifications and dimensions are subject to change without notice.

MASS. APPROVED APPROVED
298-02-E



Heat Exchanger constructed and tested in accordance with ASME Section IV standard.

AVAILABLE FROM

CROWN Boiler Co.

Since 1949, homeowners have depended on us for quality, value and service

3633 I Street, P. O. Box 14818
Philadelphia, PA 19134

Phone: (215) 535-8900 Fax: (215) 535-9736
Visit us on the web: www.crownboiler.com

