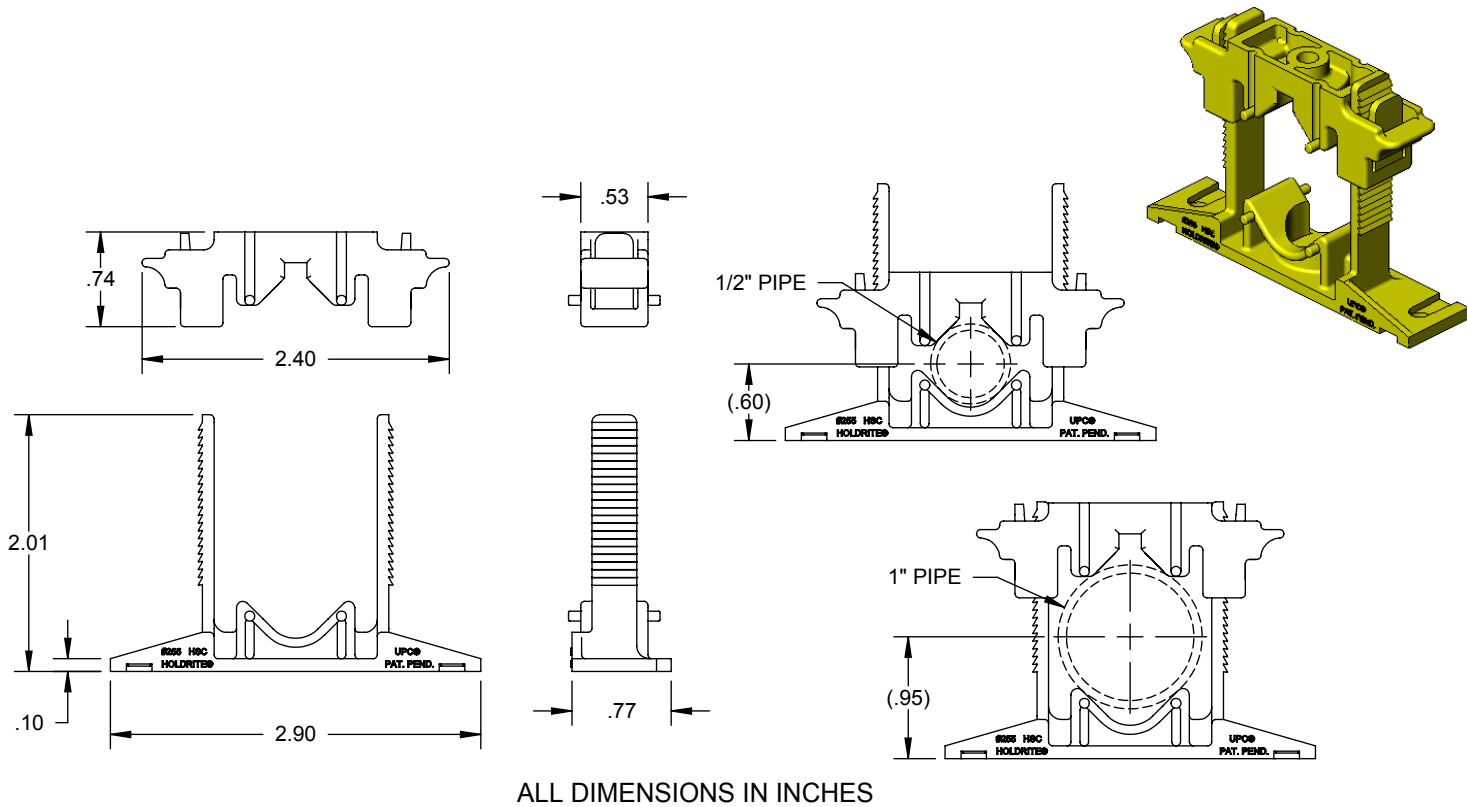


# PRODUCT SPECIFICATION DRAWING

## HOLDRITE® FLAME FIGHTER™ #255-S

### (25/50 Plenum rated)



ALL DIMENSIONS IN INCHES

The HOLDRITE® Flame Fighter™ #255-S is a flame and smoke rated variable closure clamp that installs as a standard two hole pipe clamp with one or two screws. Clamp supports up to 1" CTS tubing sizes. Supports Copper, PEX, CPVC tubing, conduit, etc. Material meets ASTM E-84 25/50 and UL94V-0 fire rating.

### Product information:

- Material: Kynar Flex, yellow, UL94V-0
- Temperature range: -20°F to +200°F
- Load rating: 25 lbs in suspended mode, 200 lbs maximum in top mount
- Meets ASTM E-84 25/50 and UL94V-0
- UPC / IPC / IAPMO listed



THIS INFORMATION IS PROPRIETARY TO HUBBARD ENTERPRISES AND IS SUBJECT TO CHANGE WITHOUT NOTICE. ANY REPRODUCTION IN PART OR WHOLE WITHOUT THE WRITTEN PERMISSION OF HUBBARD ENTERPRISES IS PROHIBITED.

**••••HUBBARD ENTERPRISES••••**  
**HOLDRITE®**  
*"Converting Makeshift Methods into Engineered Solutions"*

Product Submittal	
Job Name:	
Date:	
Part Number:	Qty:
Architect / Owner:	
Contractor:	
Notes:	