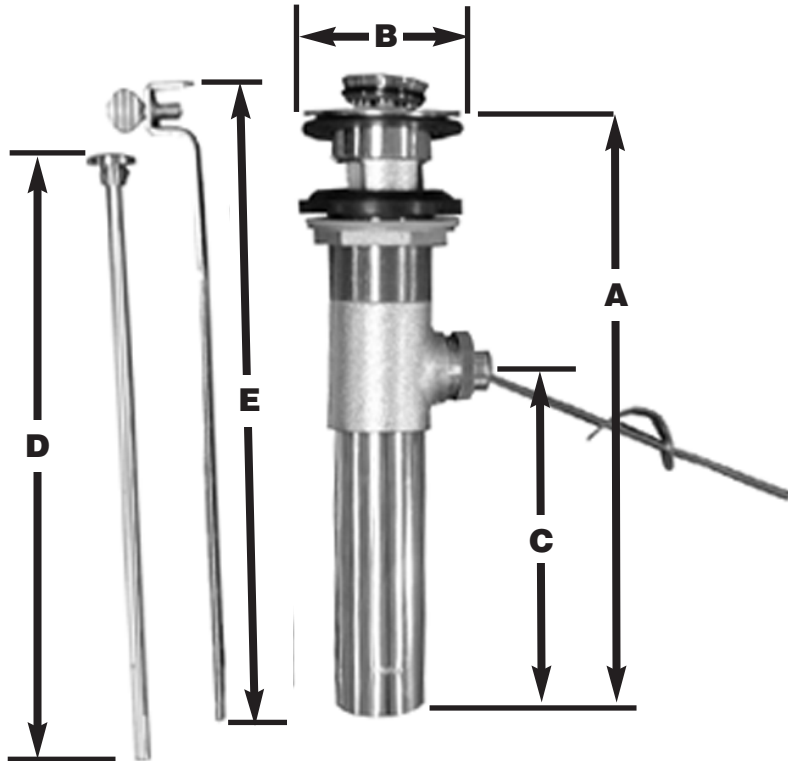


# SPECIFICATION SUBMITTAL SHEET

j o n e s   s t e p h e n s   c o r p o r a t i o n

## CHROME PLATED BRASS POP-UP ASSEMBLY



**PART NO: P35-001**

### features and benefits:

- All metal construction
- Tool free locknut and ballrod nut

This product and others like it can be found in the Jones Stephens catalog. Call today to order your catalog or download it from our website: [www.plumbest.com](http://www.plumbest.com)

PART NO.	DESCRIPTION	A	B	C	D	E
□ P35-001	CP Pop-Up Assembly	8"	2 1/8"	4 5/8"	8 3/16"	8 9/16"

jones stephens corporation  
 3249 moody parkway • moody, alabama 35004  
 toll free phone: 1-800-355-6637 • toll free fax: 1-800-462-6991  
[www.plumbest.com](http://www.plumbest.com)