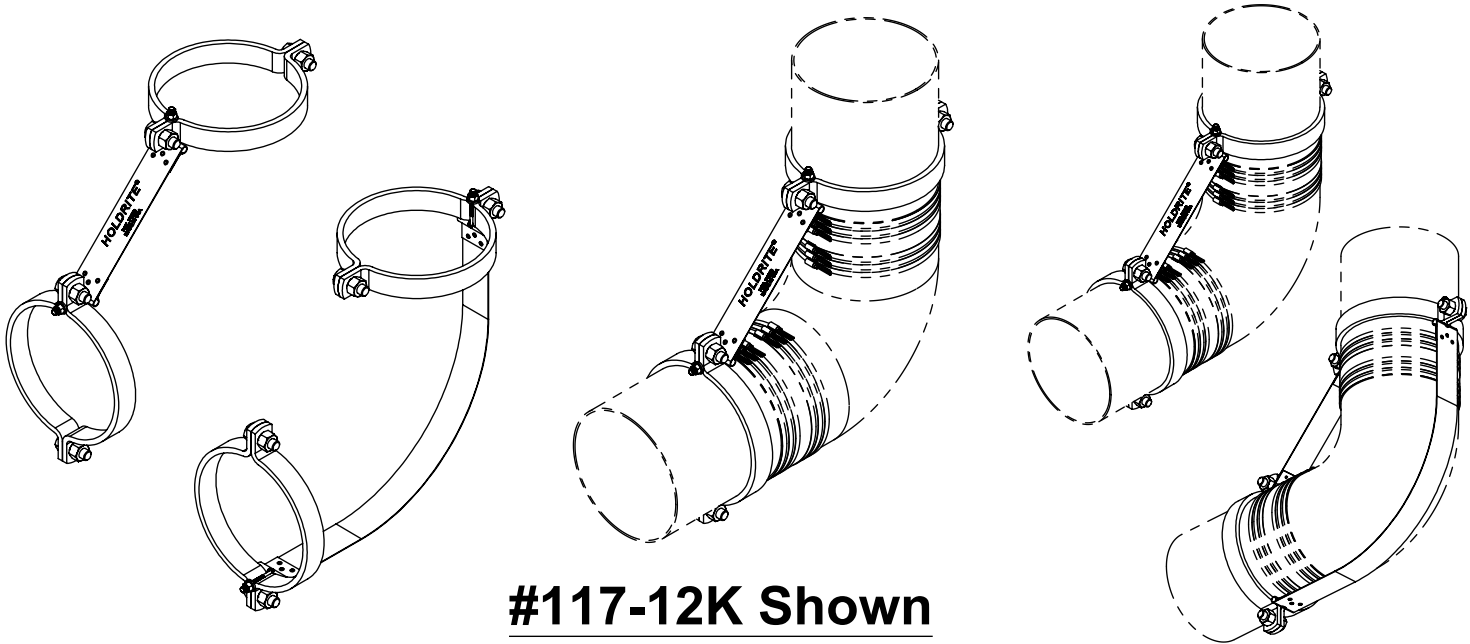


**PRODUCT SPECIFICATION DRAWING**  
**HOLDRITE® #117-10K, -12K & -15K Series Retention Strap Kits**



**THE HOLDRITE® #117 Series Retention Strap Kits are designed to reinforce no-hub cast iron installations at 90° changes of direction in accordance with the installation instructions of U.S. cast iron soil pipe manufacturers and the 2006 CISPI Installation Handbook. The #117-10K (10" size), #117-12K (12" size) & #117-15K (15" size) retain the 90° elbow onto the adjoining piping. When installed correctly, these restraint brackets achieve a safe thrust pressure rating equal to 50' head of water pressure.**

**NOTE:**  
**While these restraint kits aid in compliance with the 2006 CISPI Handbook, they are not intended to suggest that no-hub pipe and fittings should be subjected to pressures in excess of the pipe manufacturers' recommendations.**

**Product Information:**

- Material:  
     Strap: 16GA, CRS, Galvanized Steel  
     Clamp: 12" Heavy Duty Steel Pipe Clamp
- Patent pending
- Thrust force restraint test data available upon request

Product Submittal	
Job Name:	
Date:	
Part Number:	Qty:
Architect / Owner:	
Contractor:	
Notes:	

