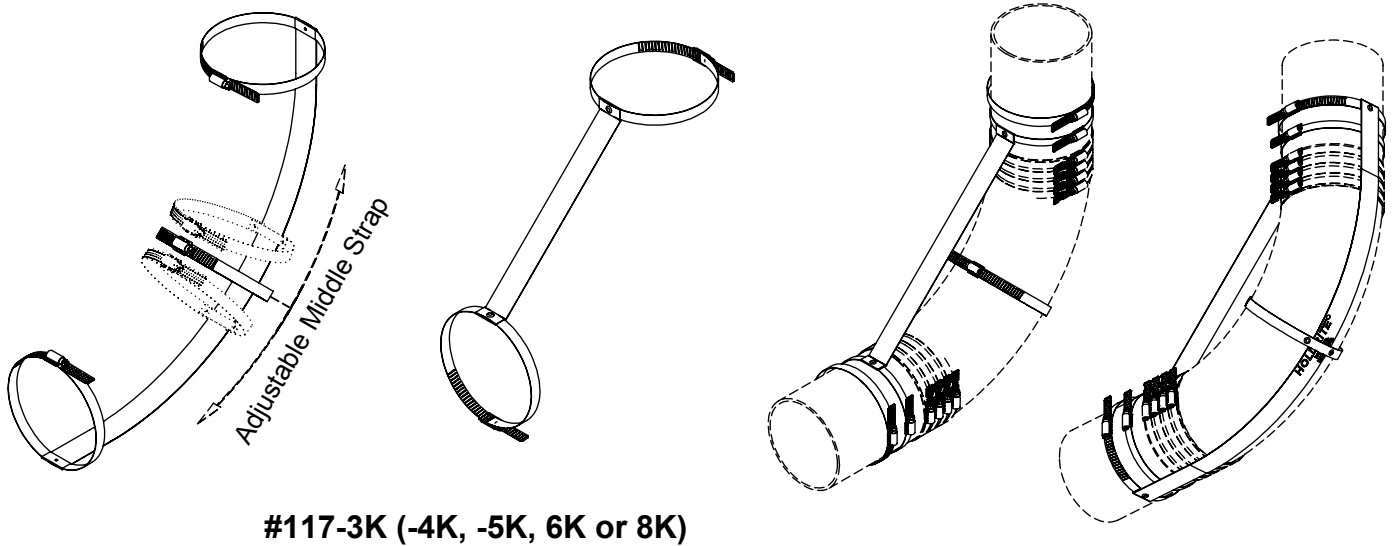


**PRODUCT SPECIFICATION DRAWING**  
**HOLDRITE® #117-3K, -4K, -5K, -6K & -8K Series Retention Strap Kits**



THE HOLDRITE® #117 Series Retention Strap Kits are designed to reinforce no-hub cast iron installations at 90° changes of direction in accordance with the installation instructions of U.S. cast iron soil pipe manufacturers and the 2006 CISPI Installation Handbook. The #117-3K (2" & 3" size), #117-4K (4" size), #117-5K (5" size), #117-6K (6" size) and #117-8K (8" size) retain the 90° elbow onto the adjoining piping. All five stainless steel bands must be tightened to 60 in/lbs minimum. When installed correctly, these restraint brackets achieve a safe thrust pressure rating equal to 50' head of water pressure.

**NOTE:**

While these restraint kits aid in compliance with the 2006 CISPI Handbook, they are not intended to suggest that no-hub pipe and fittings should be subjected to excess of the pipe manufacturers' recommendation.

**Product Information:**

- Material:
  - Strap: 24GA, CRS, galvanized
  - Bands: Stainless steel body, band & screw
- Torque: 60 in/lbs. minimum on band
- Patent pending
- Thrust force restraint test data available upon request

Product Submittal	
Job Name:	
Date:	
Part Number:	Qty:
Architect / Owner:	
Contractor:	
Notes:	

