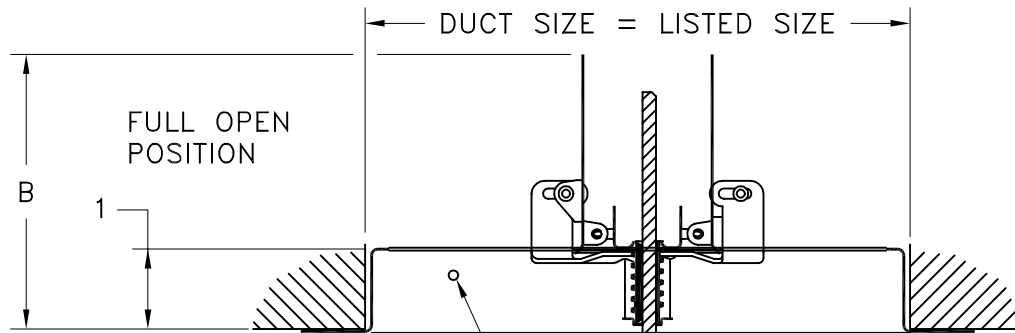
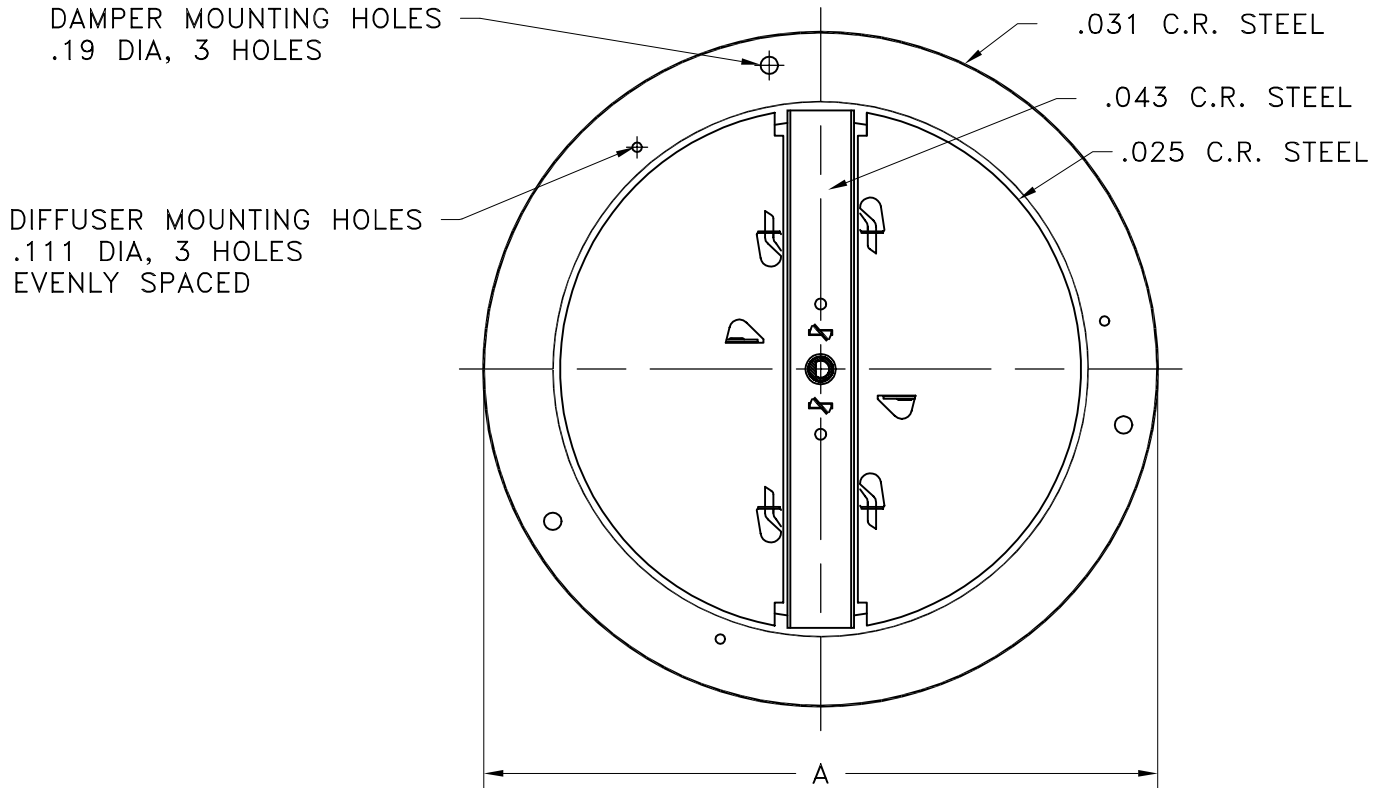


- ALL STEEL CONSTRUCTION
- DAMPER CONTROLS AIR EVENLY OVER ENTIRE DIFFUSER
- FINISH: GOLDEN SAND (GS) ENAMEL FINISH



SIZE	A	B
6	7-1/2	3-11/16
8	9-1/2	4-11/16
10	10-7/8	5-11/16
12	12-7/8	6-11/16
14	14-7/8	7-11/16
18	18-13/16	9-11/16

REMOVABLE CONTROL KNOB

DUCT MOUNTING HOLE

JOB NAME: _____	SUBMITTED BY: _____	DATE: 1/11/99	SD-2201
LOCATION: _____	<p><b>NO. 12</b> Butterfly Damper</p>		
ARCHITECT: _____			
ENGINEER: _____			
CONTRACTOR: _____			