

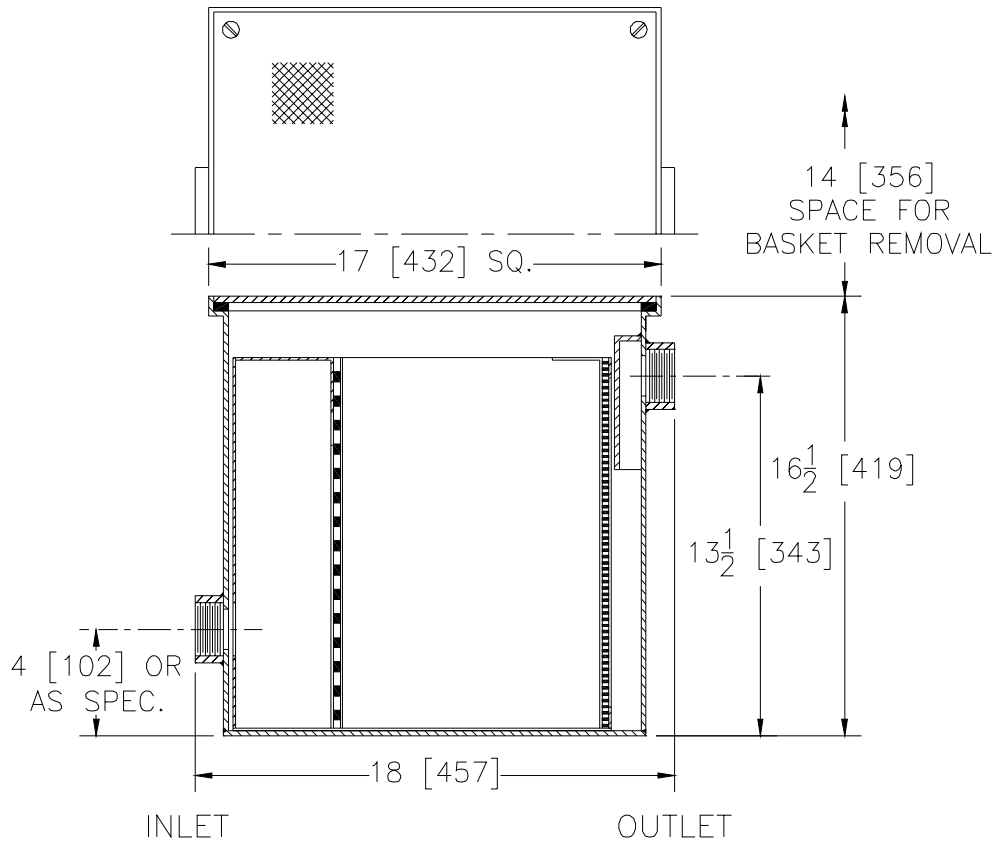


Z1181 SOLIDS INTERCEPTOR

SPECIFICATION SHEET

TAG _____

Dimensional Data (inches and [mm]) are Subject to Manufacturing Tolerances and Change Without Notice



Inlet/Outlet Inches	Flow Rate GPM [L]	Approx. Wt. Lbs. [kg]
1-1/2, 2**, 3 [38, 50, 75]	30 [113]	40 [18]

ENGINEERING SPECIFICATION: ZURN Z1181 Large capacity Acid Resistant Coated interior and exterior fabricated steel solids interceptor, in lieu of fixture 'P' trap, for on-floor or flush with floor installation. Furnished with a removable Acid Resistant Coated fabricated steel bucket having removable primary (3/8 [10] dia. holes) and secondary (3/32 [2] dia. holes) flow diffusing/intercepting brass screens, and complete with a top access gasketed secured cover. Regularly furnished with 2 [50] low inlet and high outlet**.

OPTIONS (Check/Specify appropriate options)

PREFIXES

___ Z Standard Assembly* (See Engineering Specification)

SUFFIXES

- ___ -CS Custom Screens (Specify material & perforation size required)
- ___ -R Acid Resistant Coated Interior and Exterior Fabricated Steel Recessing Receiver for Recessed Installation is Equipped with Adjustable Support Brackets and Gasketed Non-Skid secured cover with Covered Recessed Lift Handle
- ___ -SS Stainless Steel Perforated Screens for Bucket (Specify perforation size)
- ___ -YR Replacement Basket Assembly with Perforated Screens

REV. D	DATE: 9/17/03	C.N. NO. 91281
DWG. NO. 58913	PRODUCT NO. Z1181	

*REGULARLY FURNISHED UNLESS OTHERWISE SPECIFIED