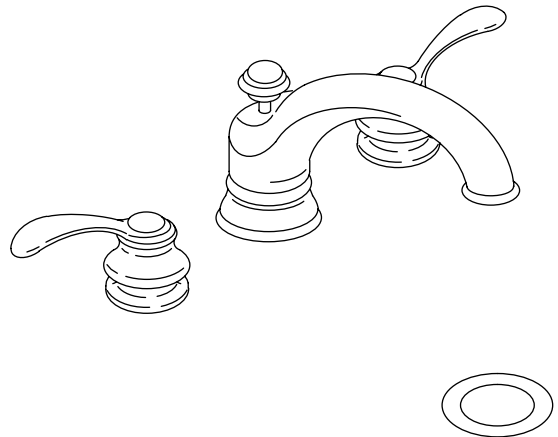


### WIDESPREAD LAVATORY FAUCET K-12265

#### Features

- Metal construction
- Brass valve bodies
- Quarter-turn washerless ceramic disc valves
- Flexible connections for easy installation
- Pop-up drain with lift rod and tailpiece
- 5" (12.7 cm) spout reach
- For 8" (20.3 cm) or 16" (40.6 cm) centers
- ADA compliant lever handles
- Stationary spout
- 1.5 gallons (5.7 liters) per minute maximum flow rate



#### Codes/Standards Applicable

Specified model meets or exceeds the following at date of manufacture:

- ADA
- ASME A112.18.1/CSA B125.1
- ICC/ANSI A117.1
- NSF 61
- EPA WaterSense®
- All applicable US Federal and State material regulations

#### Colors/Finishes

- CP: Polished Chrome
- PB: Vibrant® Polished Brass
- Other: Refer to Price Book for additional colors/finishes

#### Accessories

- NA: None applicable
- Other: Refer to Price Book for additional colors/finishes

#### Specified Model

Model	Description	Color/Finish		
K-12265-4	Widespread lavatory faucet	<input type="checkbox"/> CP	<input type="checkbox"/> PB	<input type="checkbox"/> Other ____
<b>Optional Accessories</b>				
K-12003	Two-handle plug button set			<input type="checkbox"/> Other ____
_____	Additional flow options are available (refer to the Kohler Price Book)	<input type="checkbox"/> NA		

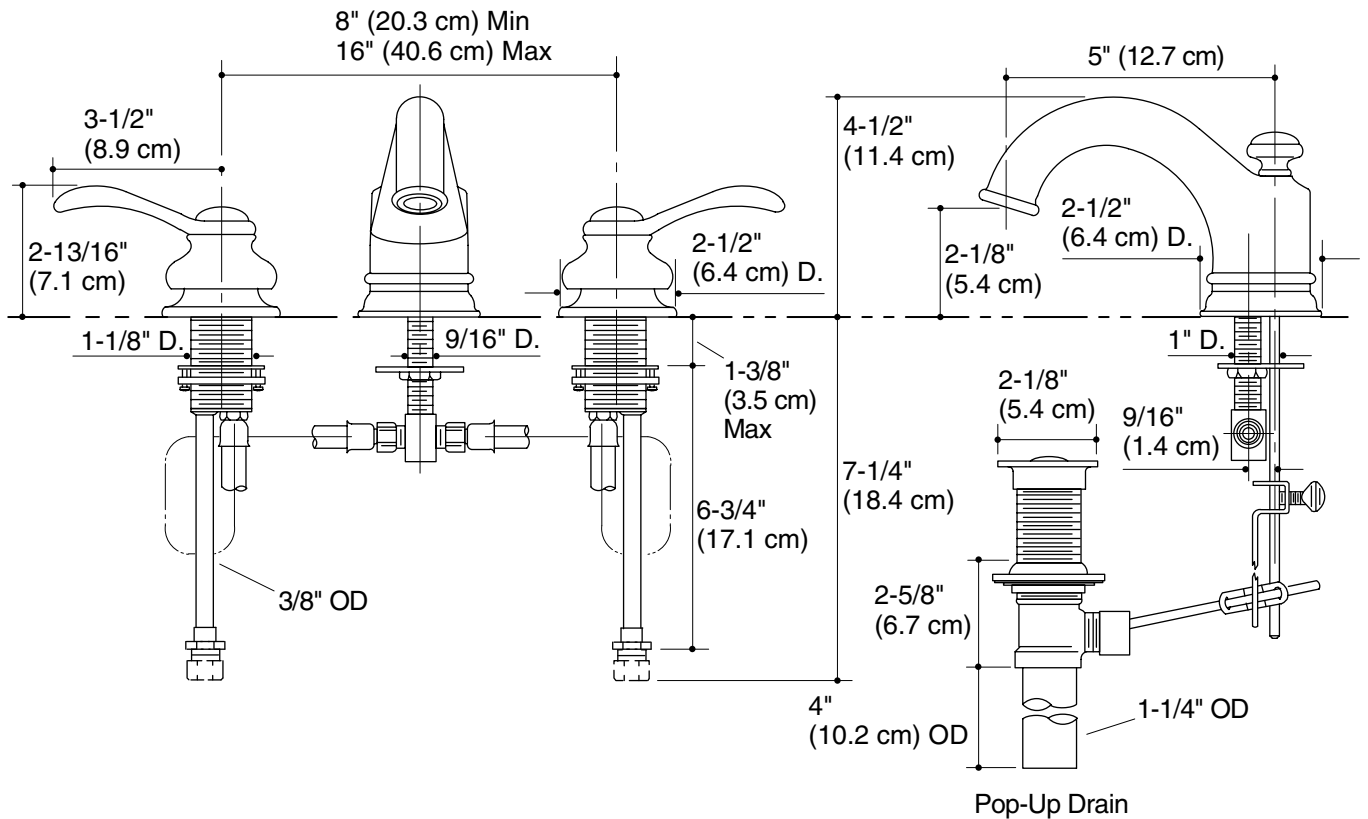
#### Product Specification

The two-handle widespread lavatory faucet shall be made of metal construction with brass valve bodies. Product shall have a maximum flow rate of 1.5 gallons (5.7 liters) per minute. Product shall feature quarter-turn washerless ceramic disc valves. Product shall be for 8" (20.3 cm) or 16" (40.6 cm) centers. Product shall feature flexible connections for easy installation and a pop-up drain with lift rod and tailpiece. Product shall feature a stationary spout, a 5" (12.7 cm) spout reach, and lever handles. Faucet shall be Kohler Model K-12265-4-\_\_\_\_\_.

# FAIRFAX®

## Installation Notes

Install this faucet following the installation instructions provided.



## Product Diagram