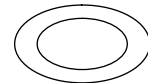
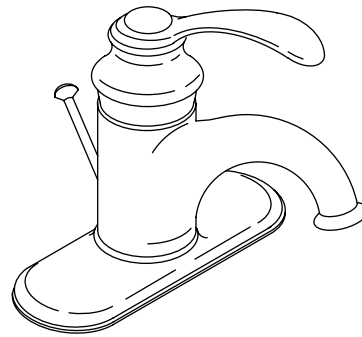


**LAVATORY FAUCET
K-12181
ALSO K-12182**

Features

- Metal construction
- One-piece, self-contained ceramic disc valve allows both volume and temperature control
- Temperature memory allows faucet to be turned on and off at any temperature setting
- High-temperature limit setting for added safety
- Lever handle
- Available with single-hole escutcheon ring or 6" (15.2 cm) escutcheon plate
- Available with metal or plastic drain
- 5" (12.7 cm) spout reach
- Pop-up drain with tailpiece
- Flexible supplies
- 1.5 gallons (5.7 liters) per minute maximum flow rate



Codes/Standards Applicable

Specified model meets or exceeds the following at date of manufacture:

- ADA
- ASME A112.18.1/CSA B125.1
- NSF 61
- ICC/ANSI A117.1
- EPA WaterSense®
- All applicable US Federal and State material regulations

Colors/Finishes

- CP: Polished Chrome
- PB: Vibrant® Polished Brass
- Other: Refer to Price Book for additional colors/finishes

Accessories

- Other: Refer to Price Book for additional colors/finishes
- NA: None applicable

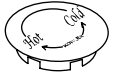
Specified Model

Model	Description	Color/Finish		
		CP	PB	Other
K-12181	Lavatory faucet – with escutcheon plate and metal drain	<input type="checkbox"/>	<input type="checkbox"/>	<input type="checkbox"/> Other _____
K-12181-D	Lavatory faucet – with escutcheon plate and plastic drain	<input type="checkbox"/>	<input type="checkbox"/>	<input type="checkbox"/> Other _____
K-12182	Lavatory faucet – with escutcheon ring and metal drain	<input type="checkbox"/>	<input type="checkbox"/>	<input type="checkbox"/> Other _____
K-12182-D	Lavatory faucet – with escutcheon ring and plastic drain	<input type="checkbox"/>	<input type="checkbox"/>	<input type="checkbox"/> Other _____

Product Specification

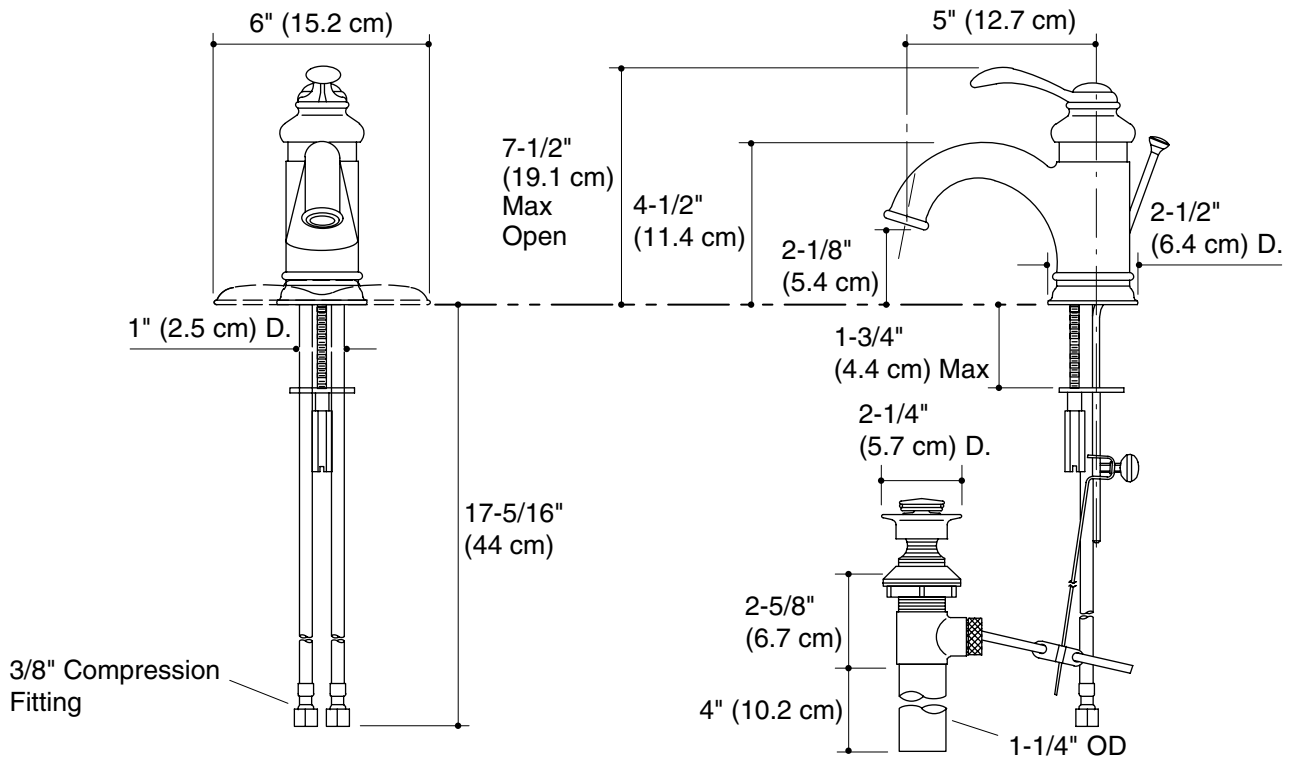
The single control lavatory faucet shall be made of metal construction. Product shall feature a maximum flow rate of 1.5 gallons (5.7 liters) per minute. Product shall feature a one-piece, self-contained ceramic disc valve, which allows both volume and temperature control, and temperature memory, which allows the faucet to be turned on and off at any temperature setting. Product shall feature a high-temperature limit setting for added safety. Product shall include a 5" (12.7 cm) spout reach, pop-up drain with tailpiece, flexible supplies, and lever handle. Product shall be available with a single-hole escutcheon ring or a 6" (15.2 cm) escutcheon plate, and metal or plastic drain. Faucet shall be Kohler Model K-_____-_____.

FAIRFAX®

Optional Accessories		
K-12001	Single-control plug button	<input type="checkbox"/> Other _____
_____	Additional flow options are available (refer to the Kohler Price Book)	<input type="checkbox"/> NA

Installation Notes

Install this faucet following the installation instructions provided.



Product Diagram