

Specification Data

Panasonic Ventilation Fan



Description

Ventilating fan shall be Low Noise ceiling mount type for continuous run. Fan should be ENERGY STAR rated and certified by the Home Ventilating Institute (HVI). Evaluated by Underwriters Laboratories and conform to both UL and cUL safety standards.

Motor/Blower:

- Totally enclosed brushless DC motor technology. More energy efficient than the minimum ENERGY STAR requirements rated for continuous run.
- Power Rating shall be 120 volts and 60 Hz.
- Fan shall be UL and cUL listed for tub/shower enclosure when used with a GFCI branch circuit wiring.
- Motor equipped with thermal cut-off fuse control.
- Removable with permanently lubricated plug-in motor.

Housing:

- Rust proof paint, galvanized steel body.
- Detachable 4" diameter duct adapter.
- Built in backdraft damper.
- Expandable extension bracket up to 24".
- Double hangar bar system allowing for ideal positioning.

Grille:

- Attractive design using PP material.
- Attaches directly to housing with torsion springs.

Warranty:

- The factory warranty shall be a minimum of 6-years limited warranty on the motor & 3-years limited warranty on parts.

Typical Specifications:

Ventilating fan shall be of the ceiling mount, ENERGY STAR rated type, with variable speed of 30-80 CFM and <0.3 sone as certified by the Home Ventilating Institute (HVI) at 0.1 static pressure in inches water gauge. Power consumption shall be no greater than 10.6 watts and ENERGY STAR rated with efficiency rating of no less than 7.8 CFM/watt. The motor shall be totally enclosed with brushless DC motor engineered to run continuously. Power rating shall be 120v/60Hz. Duct diameter shall be no less than 4". Fan shall be UL and cUL listed for tub/shower enclosure when used with GFCI branch circuit wiring. Fan shall be California Title-24 compliant.

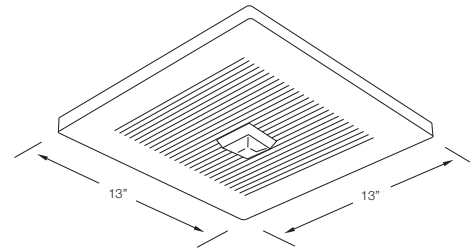
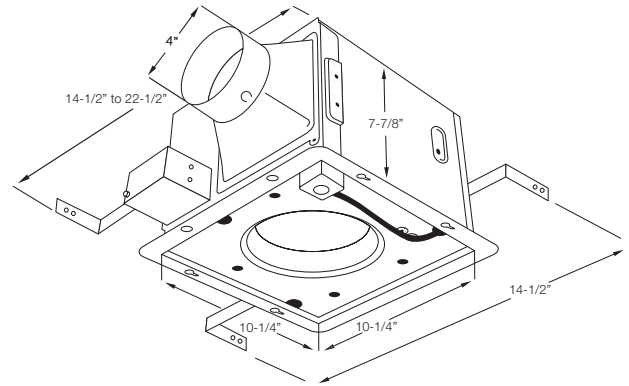
Variable speed and delayed timer controls shall be built-in. Fan high/low speed and delayed timer shall be activated by a motion sensor.

DC Motor Technology:

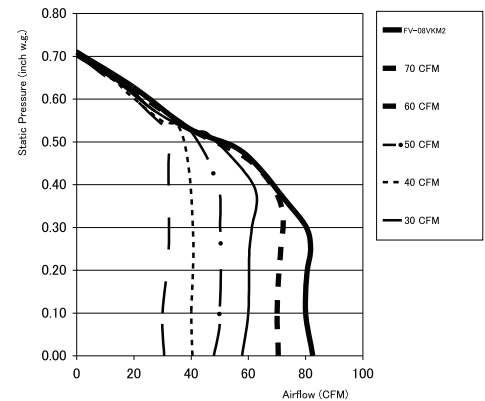
- When motion sensor is activated fan boosts to 80 CFM. After time delay period (0-60 min.), the fan turns "off" or continuous run at the preset lower speed (30-80 CFM).
- When fan faces static pressure, it's speed automatically adjusts to ensure that the desired CFM is not compromised, which allows the fan to perform as rated.
- Motion sensor automatically activates boost up when someone enters the room.
- Delayed timer can be set (0-60 minutes) and returns fan to the default low speed after the delayed period of time.

FV-08VKM2

Intermittent: 80 CFM
Continuous: off, 30-80 CFM
Duct Diameter: 4 inches



Fan Curve FV-08VKM2



Whisper Green	FV-08VKM2											
	0.1	0.25	0.1	0.25	0.1	0.25	0.1	0.25	0.1	0.25	0.1	0.25
Static Pressure in inches w.g.	0.1	0.25	0.1	0.25	0.1	0.25	0.1	0.25	0.1	0.25	0.1	0.25
Air Volume (CFM)	80	82	70	71	60	60	50	50	40	41	30	32
Noise (sones)	<0.3	N/A	<0.3	N/A	<0.3	N/A	<0.3	N/A	<0.3	N/A	<0.3	N/A
Power Consumption (watts)	10.6	16.2	8.6	14.0	7.0	11.8	6.1	10.2	5.6	9.2	4.7	8.2
Energy Efficiency (CFM/Watt)	7.8	5.0	8.7	5.1	9.1	5.1	9.0	4.9	8.4	4.4	7.9	3.9
Speed (RPM)	713	926	686	914	650	889	627	880	621	888	599	877
Current (amps)	0.07	0.11	0.06	0.10	0.05	0.08	0.04	0.07	0.04	0.06	0.03	0.06
Power Rating (V/Hz)	120/60											
Duct Diameter (Inches)	4 Inches											

For Complete Installations Visit www.panasonic.com/building



Model	Quantity	Comments	Project:
			Location:
			Architect:
			Engineer:
			Contractor:
			Submitted By:
			Date: