

NATURAL GAS TO PROPANE CONVERSION KIT ALPKT572-3 INSTALLATION INSTRUCTIONS

Table of Contents

PROPANE CONVERSION KIT SAFETY	1	Convert Furnace.....	5
INSTALLATION REQUIREMENTS	3	Make Gas Connections.....	9
Tools and Parts	3	Check the Furnace Input Rate	9
LP Gas Requirements.....	3	Adjust the Furnace Input Rate	10
INSTALLATION INSTRUCTIONS	4	Complete Installation.....	10
Remove Low NOx Inserts	4		

PROPANE CONVERSION KIT SAFETY

Your safety and the safety of others are very important.

We have provided many important safety messages in this manual and on your appliance. Always read and obey all safety messages.



This is the safety alert symbol.

This symbol alerts you to potential hazards that can kill or hurt you and others.

All safety messages will follow the safety alert symbol and either the word "DANGER" or "WARNING." These words mean:

⚠ DANGER

You can be killed or seriously injured if you don't immediately follow instructions.

⚠ WARNING

You can be killed or seriously injured if you don't follow instructions.

All safety messages will tell you what the potential hazard is, tell you how to reduce the chance of injury, and tell you what can happen if the instructions are not followed.

WARNING

This conversion kit shall be installed by a qualified service agency in accordance with the manufacturer's instructions and all applicable codes and requirements of the authority having jurisdiction. If the information in these instructions is not followed exactly, a fire, explosion, or production of carbon monoxide may result, causing property damage, personal injury, or loss of life. The qualified service agency is responsible for the proper installation of this kit. The installation is not proper and complete until the operation of the converted appliance is checked as specified in the manufacturer's instructions supplied with the kit.

Models WFAU, WFAT, WFAU, WFCU, WFLR, WFLU, WFLT
G1N80BR, G1N80BT, G1N80BU,
G1D80BR, G1D80BT, G1D90BH, G1D91BU,
CG80RB, CG80TB, CG80UB, CG90HB, CG90UB

45900A004



Caution:

The gas supply shall be shut off prior to disconnecting the electrical power, before proceeding with the conversion.

For Canadian Conversions:

The conversion shall be carried out by a manufacturer's authorized representative, in accordance with the requirements of the manufacturer, provincial, or territorial authorities having jurisdiction and in accordance with the requirements of Canadian Installation Codes CAN/CGA-B149.1 & B149.2.

ADDITIONAL SAFETY INFORMATION

In the State of Massachusetts, the following installation instructions apply:

- Installations and repairs must be performed by a qualified or licensed contractor, plumber, or gasfitter qualified or licensed by the State of Massachusetts.
- If using a ball valve, it shall be a T-handle type.
- A flexible gas connector, when used, must not exceed 3 feet.

INSTALLATION REQUIREMENTS

These instructions are intended as a general guide only and do not supersede any national or local codes in any way. Compliance with all local, state or national codes pertaining to this type of equipment should be determined prior to installation.

Read this entire instruction manual as well as instructions supplied with separate equipment before starting the installation.

This kit contains parts and instructions for converting furnaces from natural gas to propane. In these instructions, LP is an abbreviation for propane.

Depending on the specific model being converted, all of the parts in the kit may not be required. Refer to the appropriate section in these instructions to convert your particular furnace model type. The model types covered in this instruction guide include: Open Burner Box and Closed Burner Box.

IMPORTANT: It is recommended that the conversion from natural gas to propane is completed prior to making final gas connections.

Tools and Parts

Check that you have everything necessary for correct installation. Proper installation is your responsibility.

Assemble the required tools before starting installation. Read and follow the instructions provided with any tools listed here.

Tools Needed

- Screwdriver
- Pipe wrench
- Allen wrench
- Adjustable wrench
- Thread sealant
- Noncorrosive leak check solution
- 1/4" nut driver
- Test gauge with 1/8" NPT connection (for measuring gas supply pressure)

Parts Supplied

- Self-drilling, self-tapping screws (2)
- #54 size orifices (6)
- Conversion kit for gas control valve
- 3" x 6" steel LP adapter plates (2)
- 3" x 9" steel LP adapter plates (2)
- Conversion plate label
- Gas control valve conversion label
- Gas conversion manifold label
- Furnace conversion information label

Parts Needed

Read "LP Gas Requirements" and check local codes and ordinances before purchasing parts.

LP Gas Requirements

The furnace has a regulator in the gas control valve. A regulator is also required on the propane tank. Another regulator is required at the house or unit.

The minimum LP gas pressure required at the furnace is 11" W.C. The maximum LP gas pressure allowed at the furnace is 13" W.C.

INSTALLATION INSTRUCTIONS

⚠ WARNING



Explosion Hazard

Furnace must be installed and serviced by a qualified person.

Examples of a qualified person include:

licensed heating personnel,
authorized gas company personnel.

Read and follow all instructions provided for installation, adjustment, service, alteration, or maintenance.

Failure to follow these instructions can result in death, explosion, fire, or carbon monoxide poisoning.

Remove Low NOx Inserts (on some models)

This section refers only to models that contain an "L" in the full model number. If your model does not have an "L" in the full model number, please go to "Convert Furnace" section now.

IMPORTANT: The low NOx inserts must be removed from these models before converting the furnace from natural gas to LP gas.

⚠ WARNING



Electrical Shock Hazard

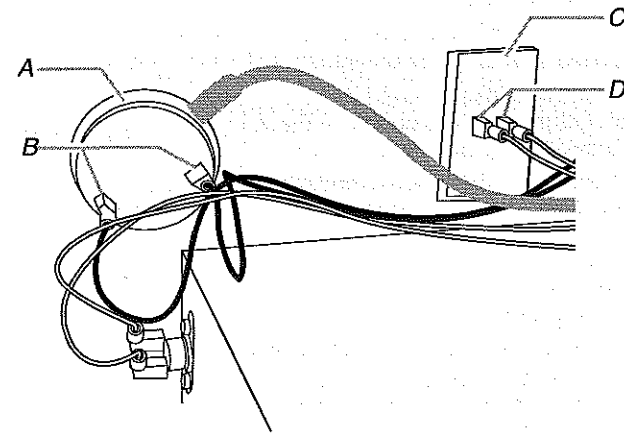
Disconnect power before servicing.

Replace all parts and panels before operating.

Failure to do so can result in death or electrical shock.

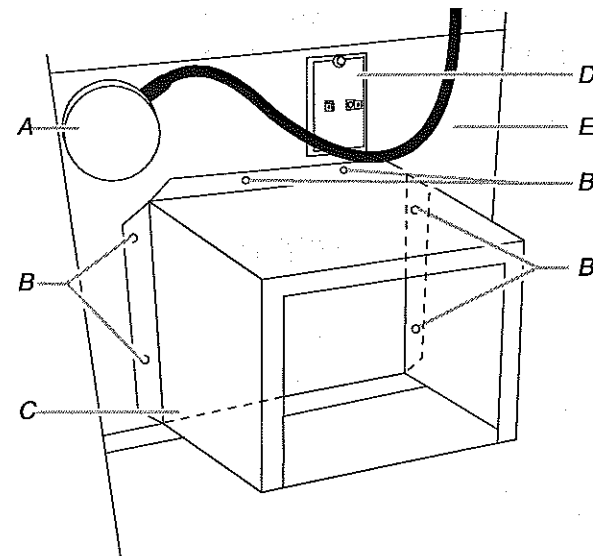
1. Disconnect power.
2. Remove the burner door.
3. Disconnect 2 wire connections at the pressure switch.

4. Disconnect 2 wire connections at the high limit switch.



A. Pressure switch C. High limit switch
B. Wire connections D. Wire connections

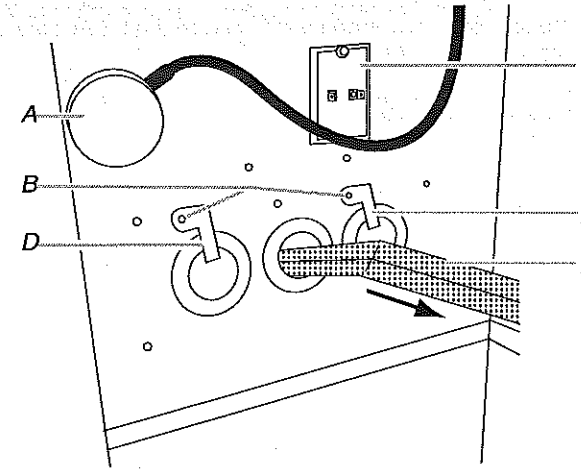
5. Remove the 6 screws attaching the burner box to the panel. First remove the 2 screws from each side, then remove the 2 screws from the top of the burner box.



A. Pressure switch D. High limit switch
B. Screws (to remove) E. Panel
C. Burner box

6. Remove the burner box.

7. Remove the screws fastening the low NOx inserts to the panel. The tabs attached to the low NOx inserts will remain on the inserts.



A. Pressure switch D. Tabs attached to
B. Screws (holding low NOx inserts) low NOx inserts
C. High limit switch E. Low NOx insert

8. Slide the low NOx inserts from the heat exchangers and discard. Repeat this removal process for all burners.
9. Replace the screws that secured the low NOx inserts into their previous holes. This will help maintain the correct air mixture to the furnace.
10. Using the 6 screws removed in Step 5, reattach the burner box to the panel. First replace the 2 top screws, then replace the 2 screws on each side.
11. Reconnect the 2 wire connections to the high limit switch, and the 2 wire connections to the pressure switch.
12. Replace the burner door.

Convert Furnace

Furnace Type

Determine the type of burner configuration that is provided on your furnace and follow the instructions for that type.

The 2 types of burner configurations are:

- Open burner box
- Closed burner box

Open Burner Box Furnace Conversion

IMPORTANT: This section refers only to models: WFAR, WFAT, WFAU, WFLR, WFLU, WFLT, G1N80BR, G1N80BT, G1N80BU, CG80RB, CG80TB, and CG80UB.

⚠ WARNING



Electrical Shock Hazard

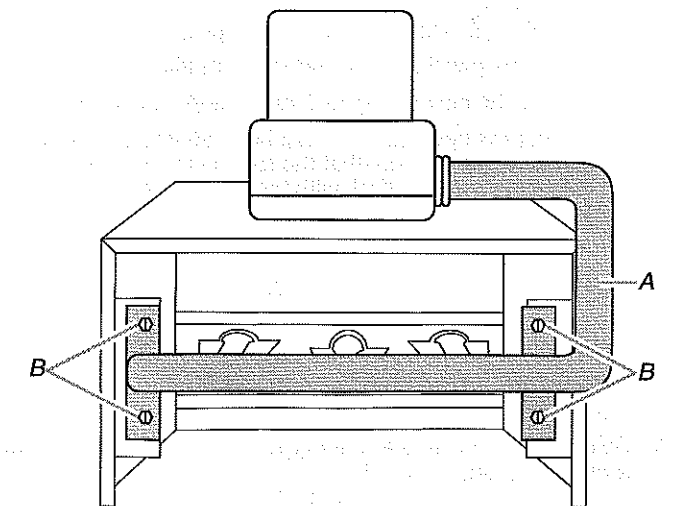
Disconnect power before servicing.

Replace all parts and panels before operating.

Failure to do so can result in death or electrical shock.

1. Turn off gas supply at manual gas shutoff valve.
2. Disconnect power.
3. Remove the burner access door.
4. Disconnect all wires from gas control valve.

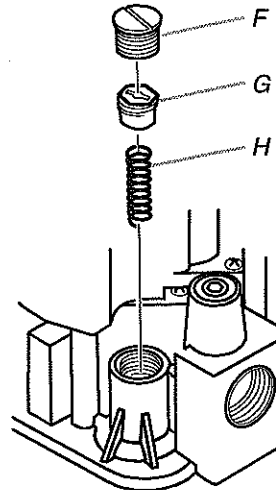
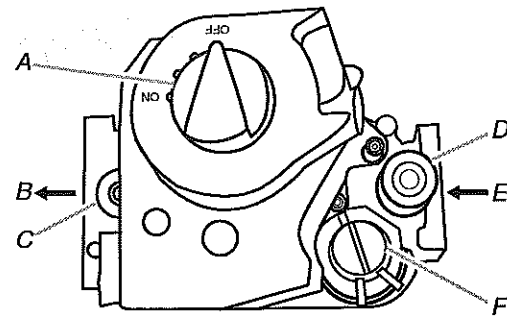
5. Remove the manifold from the burner box by removing the 4 mounting screws.



A. Manifold
B. Mounting screws

- Remove the regulator adjustment cap, pressure regulator adjusting screw, and spring from the gas control valve. See "Gas Control Valve" graphic.

Gas Control Valve

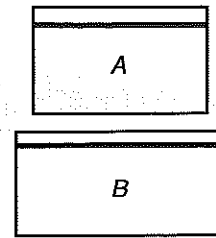


- A. Gas control switch
B. Gas outlet
C. Outlet pressure tap
D. Inlet pressure tap
E. Gas inlet
F. Regulator adjustment cap
G. Pressure regulator adjusting screw
H. Spring

- Convert the Gas Control Valve for LP gas.
 - Open the plastic bag included in this kit.
 - Locate the new spring (different color) and install.
 - Locate the new pressure regulator adjusting screw and thread in such a way that the top of the regulator adjusting screw is flush with the surface of the gas control valve.
 - Turn regulator adjusting screw clockwise 11 full turns.
 - Reinstall the new regulator adjustment cap.
 - Affix the gas control valve conversion label included in the plastic bag to the top of the gas control valve.
- Remove the orifices from the manifold. Thread in the new LP gas orifices located in the kit.
- Reinstall the manifold to the burner box using the 4 screws removed earlier.

- Affix the gas conversion manifold label "This control has been converted for use with propane gas" to the manifold in a visible location.
- Determine which LP gas adapter plate(s) are needed for the furnace being converted by referring to the LP Adapter Plate Configuration Chart.

NOTE: Steel LP gas adapter plates are used singly or in combinations of A and/or B.

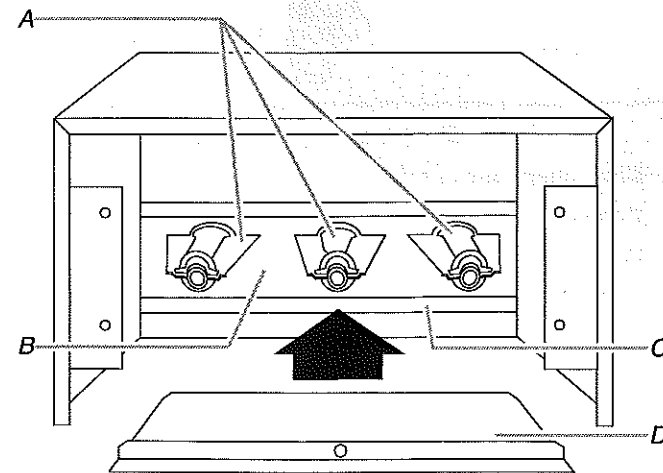


A. 3" x 6"
B. 3" x 9"

LP Adapter Plate Configuration Chart	
Rated Gas Input (Btu/Hr)	Plate(s) Used
50,000	A Plate
75,000	B Plate
100,000	(2) A Plates
125,000	A Plate + B Plate
150,000	(2) B Plates

If the installation calls for 2 plates, mount the 2 plates side by side on the bottom rail of the burner rack.

- Install the adapter plate(s) as shown. The plates mount onto the bottom rail of the burner rack. Slide the plate forward until the lip of the plate is against the vertical surface of the burner rack. Attach the adapter plate(s) to the burner rack using the self-drilling, self-tapping screw(s) supplied with the kit. If the installation calls for 2 plates, mount the plates side by side on the bottom rail of the burner rack.




A. Burners
B. Burner rack
C. Bottom rail
D. Steel LP adapter plate

- Reconnect all wires to gas control valve.
- Fill in the required information on the Furnace Conversion Information Label.
- Affix the Furnace Conversion Information Label in a visible location adjacent to the furnace.

Closed Burner Box Furnace Conversion

IMPORTANT: This section refers only to models WFCU, G1D80BR, G1D80BT, G1D91BU, and CG90UB.

⚠ WARNING



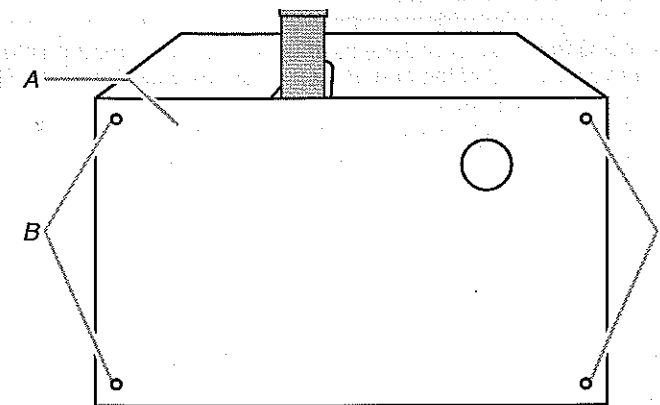
Electrical Shock Hazard

Disconnect power before servicing.

Replace all parts and panels before operating.

Failure to do so can result in death or electrical shock.

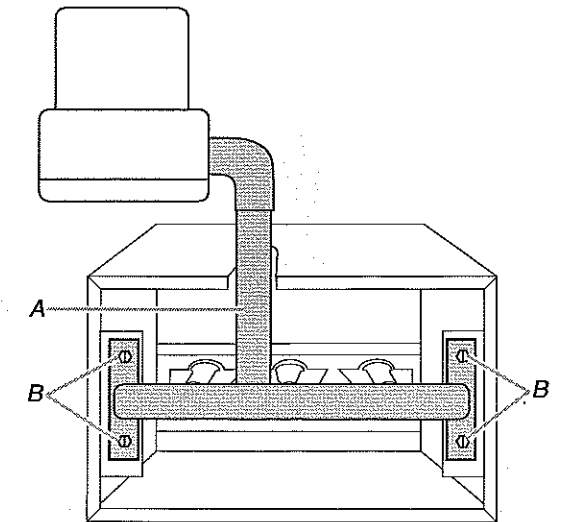
- Turn off gas supply at manual gas shutoff valve.
- Disconnect power.
- Remove the burner access door.
- Disconnect all wires from gas control valve.
- Remove the burner box cover and gasket from the burner box by removing the 4 mounting screws.



A. Burner box cover
B. Mounting screws

- Affix the Conversion Plate Label as close as possible to the existing rating plate without covering the rating plate.
- Dispose of all remaining parts.
- Go to the "Make Gas Connections" section.

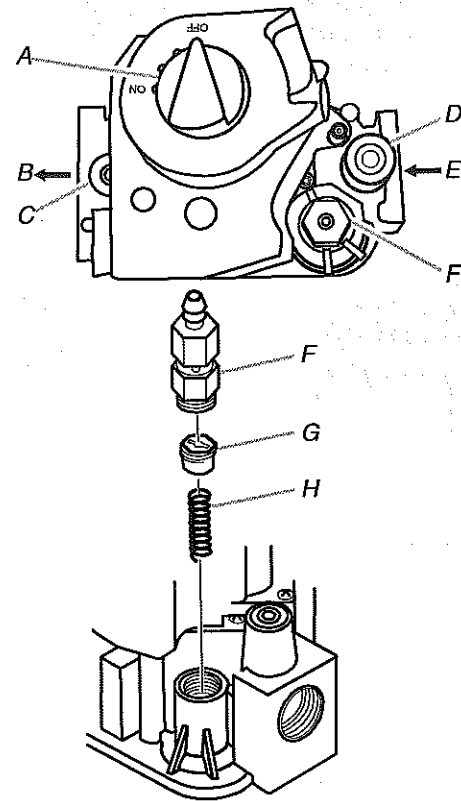
- Remove flexible tubing from the burner box and the gas control valve.
- Remove the manifold from the burner box by removing the 4 mounting screws.



A. Manifold
B. Mounting screws

- Remove the regulator adjustment cap, pressure regulator adjusting screw, and spring from the gas valve. See "Gas Control Valve."

Gas Control Valve

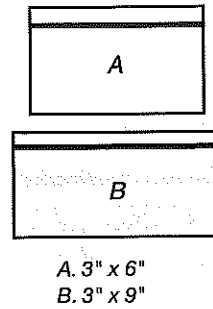


- A. Gas control switch
B. Gas outlet
C. Outlet pressure tap
D. Inlet pressure tap
E. Gas inlet
F. Regulator adjustment cap
G. Pressure regulator adjusting screw
H. Spring

9. Convert the gas control valve for LP gas.
 - Open the plastic bag included in this kit.
 - Locate the new spring (different color) and install.
 - Locate the new pressure regulator adjusting screw and thread in such a way that the top of the regulator adjusting screw is flush with the surface of the gas control valve.
 - Turn regulator adjusting screw clockwise 11 full turns.
 - Reinstall the new regulator adjustment cap.
 - Affix the gas control valve conversion label included in the plastic bag to the top of the gas control valve.
10. Remove the orifices from the manifold. Thread in the new LP gas orifices located in the kit.
11. Reinstall the manifold to the burner assembly using the 4 screws removed earlier.
12. Affix the Gas Conversion Manifold Label "This control has been converted for use with propane gas" to the manifold in a visible location.

13. Determine which LP gas adapter plate(s) are needed for the furnace being converted by referring to the LP Adapter Plate Configuration Chart.

NOTE: Steel LP gas adapter plates are used singly or in combinations of A and/or B.

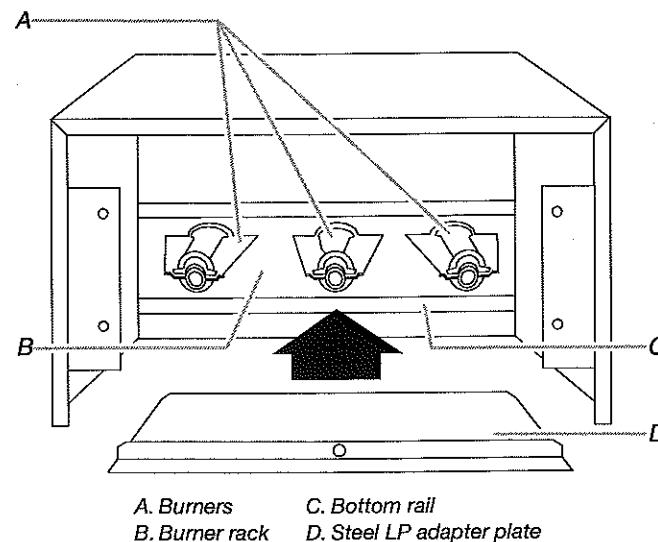


LP Adapter Plate Configuration Chart ¹	
Rated Gas Input (Btu/Hr)	Plate(s) Used
50,000	A Plate
75,000	B Plate
100,000	(2) A Plates
125,000	A Plate + B Plate
150,000	(2) B Plates

If the installation calls for 2 plates, mount the 2 plates side by side on the bottom rail of the burner rack.

¹The LP adapter plates are not required for models WFCU, CG90UB, and G1D91BU.

14. Install the adapter plate(s) as shown. The plates mount onto the bottom rail of the burner rack. Slide the plate forward until the lip of the plate is against the vertical surface of the burner rack. Attach the adapter plate(s) to the burner rack using the self-drilling, self-tapping screw(s) supplied with the kit. If the installation calls for 2 plates, mount the plates side by side on the bottom rail of the burner rack.



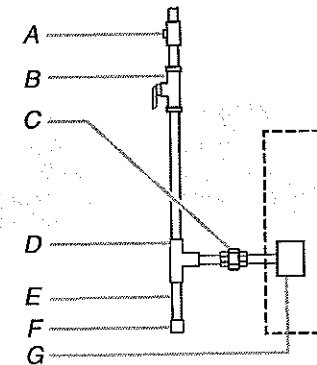
- A. Burners
B. Burner rack
C. Bottom rail
D. Steel LP adapter plate

15. Reinstall the burner box cover and gasket using the 4 screws removed earlier.
16. Reconnect all wires to gas control valve.

17. Replace the flexible tubing to the burner box and the gas control valve. Ensure that there are no kinks in the tubing.
18. Fill in the required information on the Furnace Conversion Information Label.
19. Affix the Furnace Conversion Information Label in a visible location adjacent to the furnace.
20. Affix the Conversion Plate Label as close as possible to the existing rating plate without covering the rating plate.
21. Dispose of all remaining parts.
22. Go to the "Make Gas Connections" section.

Make Gas Connections

1. Install the field gas supply as shown.
2. Provide a sediment trap on the outside of the furnace.
3. Install a manual gas shutoff valve in the gas line, outside the unit, 5 ft above the floor, or in accordance with any local codes.
4. Install a test gauge connection with a 1/8" NPT plugged tapping immediately upstream of the manual gas shutoff valve as shown.
5. Connect the gas pipe to the furnace controls providing a ground joint union as close to the controls as possible to facilitate removal of controls and manifold. Pipe-joint compounds suitable for use with natural and LP gas must be used. Do not use Teflon[®] tape.



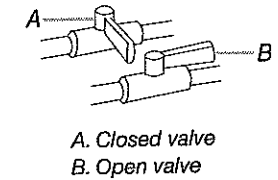
- A. 1/8" NPT plugged tapping
B. Manual gas shutoff valve
C. Ground joint union
D. Tee
E. Sediment trap
F. Cap
G. Gas control valve (inside furnace)

WARNING FIRE OR EXPLOSION HAZARD

Failure to follow the safety warnings exactly could result in serious injury, death or property damage.

Never test for gas leaks with an open flame. Use a commercially available soap solution made specifically for the detection of leaks to check all connections. A fire or explosion may result causing property damage, personal injury or loss of life.

6. Turn off the gas supply at the manual gas shutoff valve.



7. Remove the inlet pressure tap plug on the gas control valve and connect pressure gauge to the 1/8" NPT inlet pressure tap.
8. Turn on the gas supply at the manual gas shutoff valve.
9. Observe the inlet pressure.
 - The minimum inlet gas supply pressure is 5" W.C. for natural gas and 11" W.C. for propane gas.
 - The maximum inlet gas supply pressure is 10.5" W.C. for natural gas and 13" W.C. for propane gas.
10. Turn off the gas supply at the manual gas shutoff valve.
 - IMPORTANT:** If the inlet gas supply pressure is not within the minimum and maximum range as shown on the rating plate, contact your gas supplier.
11. Disconnect the pressure gauge from the 1/8" NPT inlet pressure tap.
12. Replace the inlet pressure tap plug on the gas control valve.
13. Turn on the gas supply at the manual gas shutoff valve.
14. Test all connections by brushing on an approved noncorrosive leak-detection solution. Bubbles will show a leak. Correct any leak found.
 - At test pressures greater than 1/2 psig (3.5 kPa), the furnace and the manual gas shutoff valve must be disconnected from the gas supply piping system.
 - At test pressures less than or equal to 1/2 psig (3.5 kPa), the furnace must be isolated from the gas supply piping system by closing the manual gas shutoff valve.
15. Replace the burner access door.

Check the Furnace Input Rate (if required)

BTU ratings shown on the furnace rating plate are for elevations up to 2,000 ft (U.S.A. and Canada). In the U.S.A., for elevations above 2,000 ft, the ratings should be reduced at the rate of 4% for each 1,000 ft above sea level. In Canada, follow the altitude rating label on the furnace for elevations of 2,000 to 4,500 ft; above 4,500 ft, the ratings should be reduced an additional 4% for each additional 1,000 ft.

IMPORTANT:

- The furnace input rate must not exceed the input rating on the furnace rating plate.
- At altitudes from 2,000 to 7,500 ft the furnace input rate must not exceed that on the rating plate multiplied by the Input Factor in the Manifold Pressure vs. Altitude Chart.
- This furnace is equipped for rated input at manifold pressure of 10.0" W.C. for propane gas.
- The actual heating value of your propane gas can be obtained from your local gas supplier.

Input Rate

for the altitude of your

recommended for

placed. For the correct
index F of the National
A 54, latest edition).

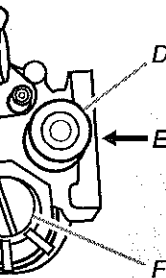
The furnace input rate is
of the National Fuel
, latest edition).

pressure according to
ure vs. Altitude Chart.

ssure to 10.0" W.C. for

FF position. Use only
switch; tools are not

on the gas valve and
PT outlet pressure tap.



NPT inlet pressure tap
inlet
regulator adjusting cap

een in the OFF position
the unit.

N position.

an ignition device which
furnace cannot be lighted
or by hand.

- Refer to the Manifold Pressure vs. Altitude Chart for the correct manifold pressure. If necessary, remove the regulator adjusting cap on the gas valve (has barbed fitting and hose on sealed combustion units) and turn the regulator adjusting screw clockwise to increase pressure and input, or counterclockwise to decrease pressure and input.

IMPORTANT: If the manifold pressure cannot be adjusted to the correct value, contact your gas supplier.

- Move the gas control switch to the OFF position.
- Disconnect the pressure gauge from the 1/8" NPT outlet pressure tap.
- Replace outlet pressure tap plug and the regulator adjusting cap (has barbed fitting and hose on sealed combustion units) on the gas valve.
- Move the gas control switch to the ON position.
- Replace the burner access door.
- Set the room thermostat to the desired temperature necessary to achieve optimum temperature rise.

Manifold Pressure vs. Altitude Chart

Propane Gas

Altitude (ft)	Heating Value (BTU/ft ³)	Manifold Pressure (in. W.C.)	Input Factor
2000	2278	10.00	0.9666
3000	2196	10.00	0.9499
4000	2116	10.00	0.9332
4500	2077	10.00	0.9249
5000	2039	9.41	0.8900
5500	2000	9.35	0.8790
6000	1964	9.29	0.8680
6500	1927	9.24	0.8570
7000	1891	9.18	0.8460
7500	1853	9.12	0.8350

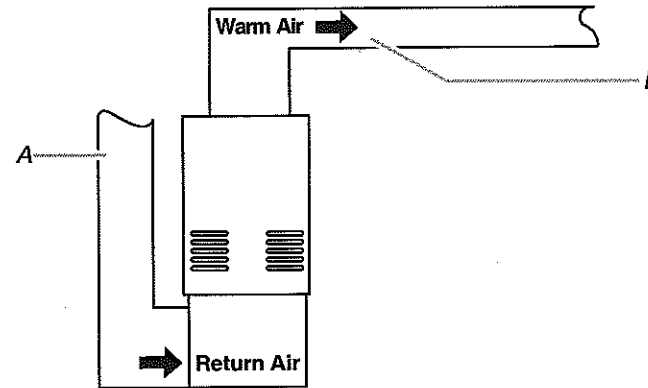
Complete Installation

IMPORTANT: Do not use this furnace if any part has been under water. Immediately call a qualified person to inspect the furnace and to replace any part of the control system and gas control which has been under water.

Measure Temperature Rise

- After 20 minutes of heating operation, measure the furnace temperature rise. Take air temperature readings in both the return air ducts and the heated air ducts (about 6 ft from the furnace where they will not be affected by radiant heat) as shown.

NOTE: If more than one run of return or heated air ducts is used, air temperature measurements should be taken in each duct. These measurements can be converted to an average to obtain the temperature rise of the whole system.



A. Measure return air here.

B. Measure supply temperature here.

- If furnace doesn't maintain temperature rise within the range shown on the furnace rating plate, adjust the blower speed.

Adjust Blower Speed

WARNING



Electrical Shock Hazard

Disconnect power before servicing.

Replace all parts and panels before operating.

Failure to do so can result in death or electrical shock.

NOTE: See the Wiring Diagram, in your Furnace Installation Instructions, for the model you are installing while performing this procedure.

To increase temperature rise:

- Disconnect power.
- Remove control box cover.
- The furnace is factory configured for medium speed (blue wire) for heating. Connect a lower speed wire (Med/Lo or Lo) to the Heat terminal.
- Replace control box cover.
- Recheck the temperature rise. If the temperature rise cannot be adjusted within the limits as listed on the furnace rating plate, see your Furnace Installation Instructions for troubleshooting information.

To decrease temperature rise:

- Disconnect power.
- Remove control box cover.
- The furnace is factory configured for medium speed (blue wire) for heating. Remove the blue wire from the Heat terminal and place it at M1 or M2 on the blower control board.
- Connect a higher blower speed wire (Med/Hi or High) to the Heat terminal.
- Replace control box cover.
- Recheck the temperature rise. If the temperature rise cannot be adjusted within the limits as listed on the furnace rating plate, see your Furnace Installation Instructions for troubleshooting information.

NOTE: If low speed (LO) is required for proper temperature rise, the continuous fan feature should not be used.

Shut Down the Furnace

- Set the room thermostat to the lowest setting.
- Disconnect power.
- Remove burner access door.
- Shut off the gas by moving the gas control switch to the OFF position.
- Replace the burner access door.

See your Furnace Installation Instructions for troubleshooting information.