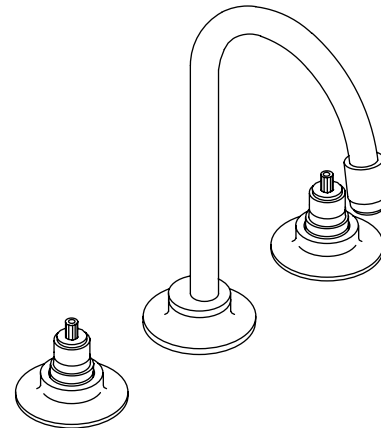


**LAVATORY BASE FAUCET
K-7304**

Features

- Brass construction
- Brass valve bodies
- Quarter-turn washerless ceramic disc valves
- Flexible connections for easy installation
- Available with standard or vandal-resistant Water-Guard® aerator
- Variety of handle style options
- 5-1/4" (13.3 cm) gooseneck spout
- 2.1 gallons (8 L) per minute flow rate
- Less drain and lift rod



Codes/Standards Applicable

Specified model meets or exceeds the following:

- ASME A112.18.1
- CSA B125
- Energy Policy Act of 1992
- NSF 61
- CSA International

Colors/Finishes

- CP: Polished Chrome

Accessories

- NA: None applicable

Specified Model

Model	Description	Colors/Finishes
K-7304-K	Lavatory base faucet with standard Water-Guard® aerator	<input type="checkbox"/> CP
K-7304-KE	Lavatory base faucet with vandal-resistant Water-Guard® aerator	<input type="checkbox"/> CP
K-7304-5A	Lavatory faucet with wristblade handles and standard aerator	<input type="checkbox"/> CP

Required Accessories (Includes Two Handles)

K-16012-2	Standard handles OR	<input type="checkbox"/> CP
K-16012-3	Cross handles OR	<input type="checkbox"/> CP
K-16012-4	Lever handles OR	<input type="checkbox"/> CP
K-16012-5	Wristblade lever handles	<input type="checkbox"/> CP

Optional Accessories

40003	Wrench for long-stemmed ceramic valve bodies	<input type="checkbox"/> NA
-------	--	-----------------------------

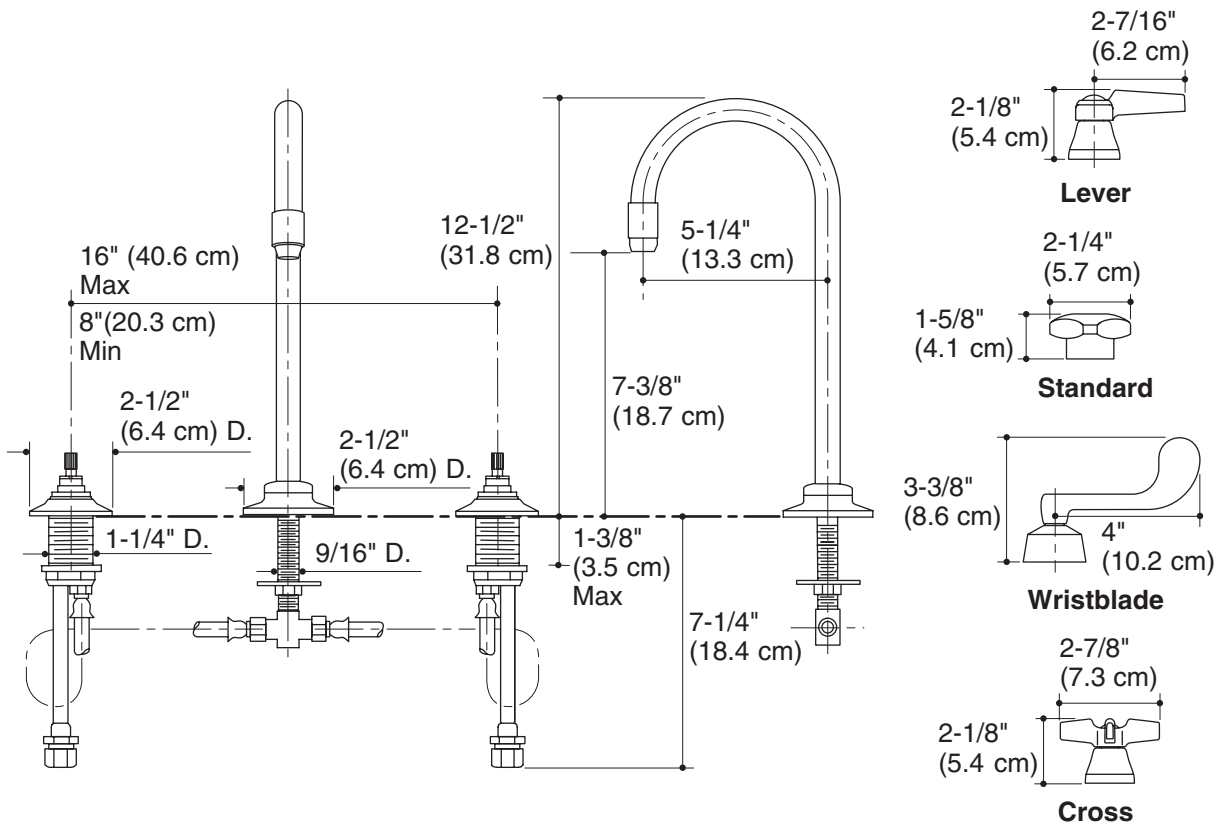
Product Specification

Two-handle widespread lavatory base faucet shall be of brass construction. Faucet shall feature brass valve bodies. Faucet shall feature quarter-turn washerless ceramic disc valves. Product shall be less drain and lift rod. Faucet shall be rated at 2.1 gallons (8 L) per minute flow rate. Product shall include flexible connections for easy installation and 5-1/4" (13.3 cm) gooseneck spout. Product shall include standard or vandal-resistant Water-Guard® aerator. Faucet shall be Kohler Model K-7304-____-CP and handles shall be Kohler Model K-16012-____-CP.

TRITON®

Installation Notes

Install this product according to the installation guide.



Product Diagram