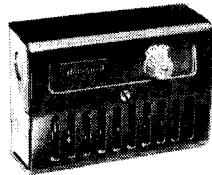


# Honeywell

## T631A-C FARM-O-STAT AIRSWITCH CONTROLLERS



T631

T631 CONTROLLERS PROVIDE LINE VOLTAGE CONTROL OF HEATING, COOLING, AND VENTILATION SYSTEMS IN FARM BUILDINGS OR STORAGE AREAS.

□ T631A □ T631B □ T631C

- Typical applications include barns, brooder houses, poultry houses, hog houses, pump houses, milk houses, and crop storage houses.
- Slots in front and bottom of case provide maximum air circulation over the coiled sensing element.
- Rugged steel case treated to resist corrosion.
- Dependable switching provided by spdt snap switch(es) permanently sealed against contamination.
- Temperature setting knob and scale on front of controller.
- Field proven reliability.

## SPECIFICATIONS

### STANDARD MODEL

#### MODELS:

T631A Farm-O-Stat Controller—for control of barn ventilation, red finish, spdt switching.

T631B Farm-O-Stat Controller—for control of barn ventilation, red finish, two spdt switches.

T631C Airswitch Controller—for temperature or ventilation control, gray finish, spdt switching.

For weatherproof Farm-O-Stat Controller in NEMA 4X enclosure, use T631F,G. See specification sheet, form 60-2509.

SENSING ELEMENT: Coiled copper tube.

MAXIMUM AMBIENT TEMPERATURES (see tabulation on page 2):

MOUNTING MEANS: Screws through holes in back of case.

ADJUSTMENT: Knob on front of case.

UNDERWRITERS LABORATORIES INC. LISTED: File No. E4436, Vol. 1, dated 2-27-55; Guide No. XAPX.

CANADIAN STANDARDS ASSOCIATION COMPONENT LISTED: File No. LR1620, Guide No. 400-E-O.

REPLACEMENT PART: 103774 Spdt Switch.

### T631A,B

#### ELECTRICAL RATINGS (A):

	Spdt Snap		Spdt 1 hp	
	120 Vac	240 Vac	120 Vac	240 Vac
Full Load	7.4	3.7	16.0	8.0
Locked Rotor	44.4	22.2	96.0	40.0

Low Voltage Rating: 2.0 A at 24 Vac for T631B.

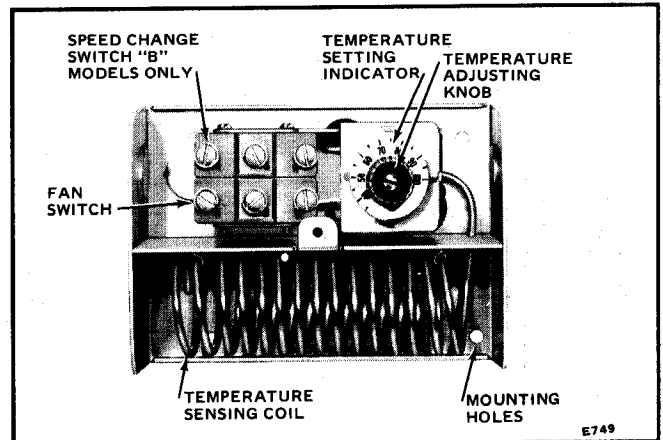


Fig. 1—T631B WITH COVER REMOVED. T631A AND C HAVE THREE WIRING TERMINALS ONLY.

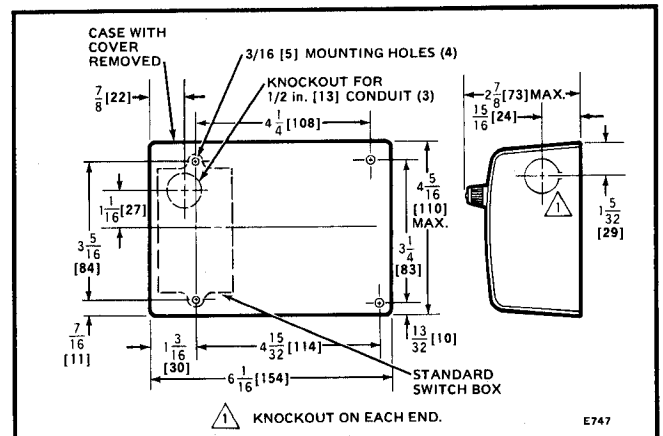


Fig. 2—T631 INSTALLATION DIMENSIONS, IN in. [mm SHOWN IN BRACKETS].

Order Number	Range		Switching	Fixed Differential				Maximum Ambient Temp.	
				Per Switch		Inter-stage		F	C
	F	C		F	C	F	C		
T631A1006	35 to 100	(2 to 38)	Spdt snap switch	2.1	1.1	—	—	120	49
T631A1022	70 to 140	(21 to 60)		2.0	1.1	—	—	150	66
T631A1030	0 to 70	(-18 to +21)		3.0	1.7	—	—	125	52
T631A1063	-10 to +100	(-23 to +38)		3.0	1.7	—	—	125	52
T631A1105	70 to 140	(21 to 60)		2.0	1.1	—	—	150	66
T631A1113	35 to 100	(2 to 38)	Spdt snap switches rated at 1 hp [0.7 kW]	3.5	1.9	—	—	120	49
T631A1154 <sup>a</sup>	(32 to 104)	0 to 40	Spdt snap switch	2.0	1.1	—	—	120	49
T631B1005	35 to 100	(2 to 38)	2 spdt snap switches	2.0	1.1	3.5	1.9	120	49
T631B1054	35 to 100	(2 to 38)	2 spdt snap switches rated at 1 hp [0.7 kW]	2.0	1.1	Adjustable		120	48

<sup>a</sup>Scale is in Celsius.  
(Equivalent Range)

### T631C

#### ELECTRICAL RATINGS (A):

	Spdt Snap Switch				Spdt 1 hp Switch			
					R-W		R-B	
	24 Vac	120 Vac	240 Vac	277 Vac	120 Vac	240 Vac	120 Vac	240 Vac
Full Load	2	7.4	3.7	3	16	8	8	5.1
Locked Rotor	—	44.4	22.2	18	80	40	48	30.8
Resistive Load	—	10	5	—	—	—	—	—

REPLACEMENT PARTS.  
103774 Spdt Snap Switch.  
131099 Spdt 1 hp Switch.

Order Number	Range		Switching	Fixed Differential		Maximum Ambient Temp.	
	F	C		F	C	F	C
	T631C1004	-10 to +60		(-23 to +16)	1 hp [0.7 kW], spdt snap switch	3.0	1.7
T631C1012	20 to 90	(-7 to +32)	1 hp [0.7 kW], spdt snap switch	3.0	1.7	125	52
T631C1020	70 to 140	(21 to 60)	Spdt snap switch	2.0	1.1	150	66
T631C1038 <sup>a</sup>	(14 to 88)	-10 to +30	Spdt snap switch	3.0	1.7	125	52
T631C1046 <sup>a</sup>	(70 to 140)	21 to 60	Spdt snap switch	2.0	1.1	150	66
T631C1053	35 to 100	(2 to 38)	Spdt snap switch	2.0	1.1	120	48
*T631C1103	-30 to +100	(-34 to +38)	1 hp [0.7 kW], spdt snap switch	5.0	2.8	125	52

<sup>a</sup>Celsius model.  
(Equivalent Range)  
\*TRADELINE model.