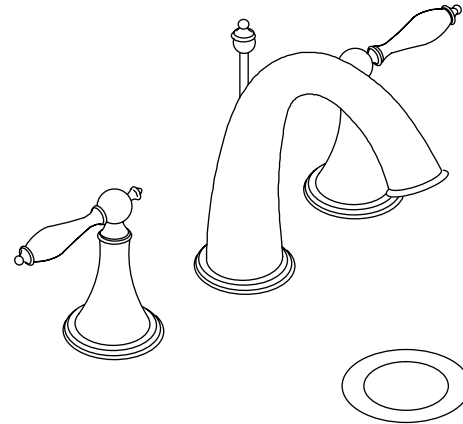


Features

- Brass construction
- Flexible connections for easy installation
- Brass valve bodies
- Quarter-turn washerless ceramic disc valves
- 2.0 gallons (7.6 L) per minute flow rate
- Pop-up drain with lift rod and tailpiece
- 5" (12.7 cm) high-arch spout
- Available with traditional or ceramic dome handles
- Available with contrasting or matching finish lift knob, aerator housing, escutcheons
- Available with contrasting or matching handle caps and ends



Codes/Standards Applicable

Specified model meets or exceeds the following:

- ASME A112.18.1
- Energy Policy Act of 1992
- IAPMO/UPC
- NSF 61
- CSA International
- ADA



Colors/Finishes

- CP: Polished Chrome
- PB: Vibrant® Polished Brass
- Other: Refer to Price Book for additional colors/finishes

Accessories

- NA: None applicable

Specified Model

Model	Description	ADA		
K-310-4F	Lavatory faucet with traditional lever handles and biscuit accents	<input type="checkbox"/> CP	<input type="checkbox"/> PB	<input type="checkbox"/> Other
K-310-4M	Lavatory faucet with traditional lever handles and polished finish accents	<input type="checkbox"/> CP	<input type="checkbox"/> PB	<input type="checkbox"/> Other
K-310-4P	Lavatory faucet with traditional lever handles and white accents	<input type="checkbox"/> CP	<input type="checkbox"/> PB	<input type="checkbox"/> Other
K-310-8P	Lavatory faucet with ceramic dome handles and white accents			<input type="checkbox"/> PB

Product Specification

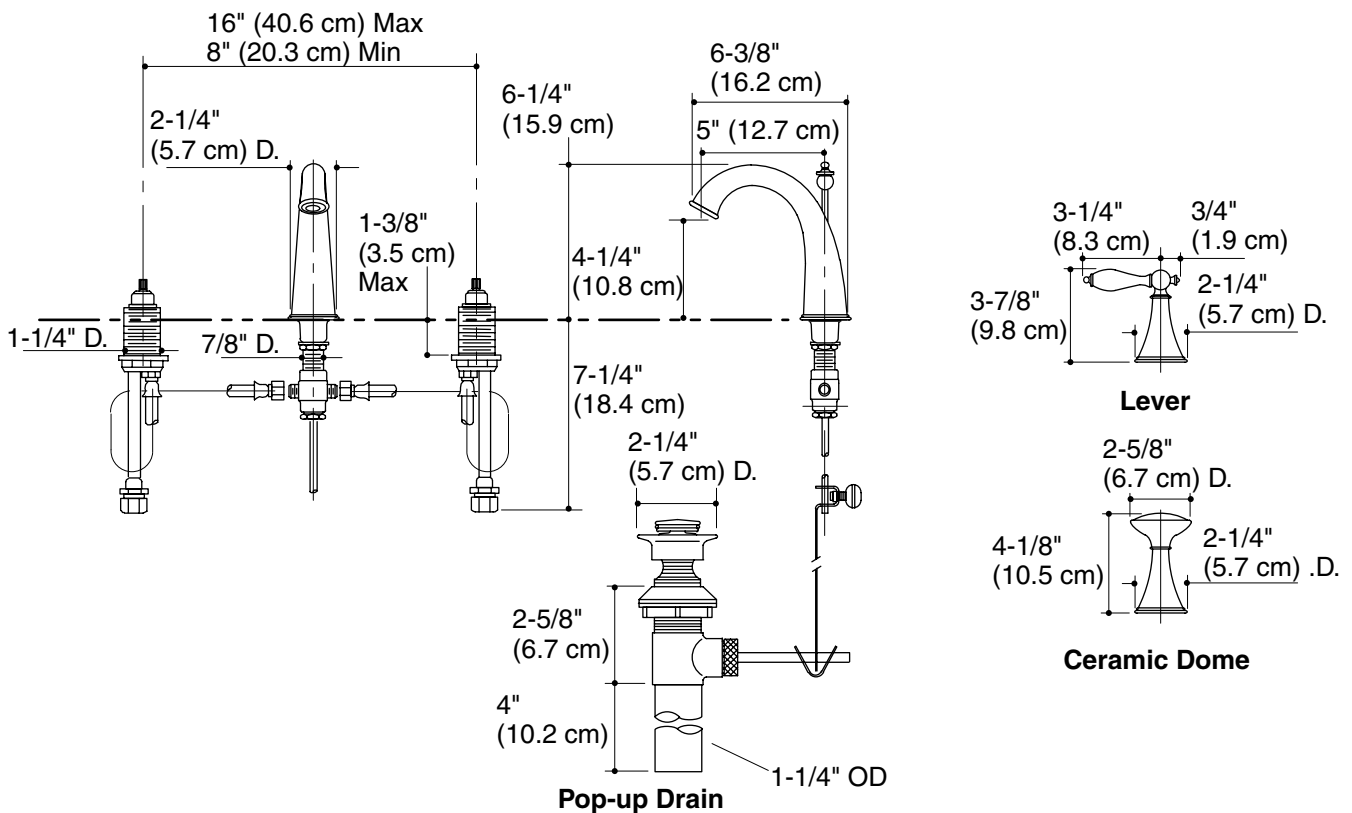
Two-handle widespread lavatory faucet shall be of brass construction. Faucet shall feature brass valve bodies. Faucet shall feature quarter-turn washerless ceramic disc valves. Product shall be rated at 2.0 gallons (7.6 L) per minute flow rate. Product shall include flexible connections, 5" (12.7 cm) high-arch spout, pop-up drain with lift rod and tailpiece, and traditional or ceramic dome handles. Faucet shall be available with contrasting or matching finish lift knob, aerator housing, escutcheons, and handle caps and ends. Faucet shall be Kohler Model K-310-_____-_____.

FINIAL® TRADITIONAL

Model	Description			
K-310-SB	Lavatory faucet with ceramic dome handles and Close Reach™ Artist Edition accents	<input type="checkbox"/> CP	<input type="checkbox"/> PB	
K-310-SP	Lavatory faucet with ceramic dome handle and Serpentine Bronze™ Artist Edition accents	<input type="checkbox"/> CP	<input type="checkbox"/> PB	<input type="checkbox"/> Other ____
Optional Accessories				
40003	Wrench for long-stemmed ceramic valve bodies			<input type="checkbox"/> NA

Installation Notes

Install this product according to the installation guide.



Product Diagram