

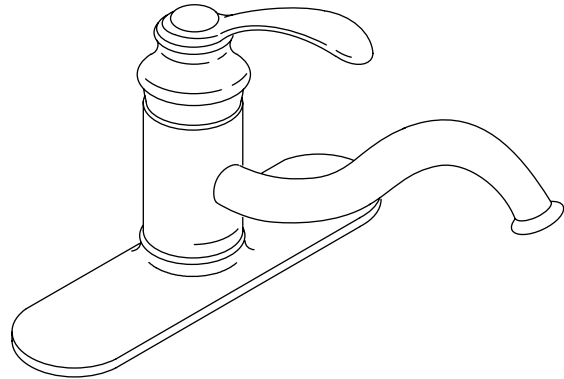
**KITCHEN SINK FAUCET
K-12171**

ALSO K-12172, K-12175, K-12176

ADA

Features

- Metal construction
- One-piece, self-contained ceramic disc valve allows both volume and temperature control
- Temperature memory allows faucet to be turned on and off at any temperature setting
- High-temperature limit setting for added safety
- 9" (22.9 cm) swing spout reach
- Flexible connections for easy installation
- ADA compliant lever handle
- Available with or without matching finish sidespray
- Lower flow aerator options are available (refer to the Kohler Price Book)
- 2.2 gpm (8.3 lpm) maximum flow rate



Codes/Standards Applicable

Specified model meets or exceeds the following at date of manufacture:

- ADA
- ASME A112.18.1/CSA B125.1
- ICC/ANSI A117.1
- NSF 61
- Energy Policy Act of 1992
- All applicable US Federal and State material regulations

Colors/Finishes

- CP: Polished Chrome
- PB: Vibrant® Polished Brass
- Other: Refer to Price Book for additional colors/finishes

Accessories

- Other: Refer to Price Book for additional colors/finishes
- NA: None applicable

Specified Model

Model	Description	Colors/Finishes	
K-12171	Kitchen sink faucet – with escutcheon, less sidespray (shown)	<input type="checkbox"/> CP	<input type="checkbox"/> Other ____
K-12172	Kitchen sink faucet – with escutcheon, with handspray	<input type="checkbox"/> CP	<input type="checkbox"/> Other ____
K-12175	Kitchen sink faucet – less escutcheon, less sidespray	<input type="checkbox"/> CP	<input type="checkbox"/> Other ____
K-12176	Kitchen sink faucet – less escutcheon, with sidespray	<input type="checkbox"/> CP	<input type="checkbox"/> Other ____

Optional Accessories		
K-12001	Plug button	<input type="checkbox"/> Other ____
1030920	Sidespray deep roughing-in kit	<input type="checkbox"/> NA

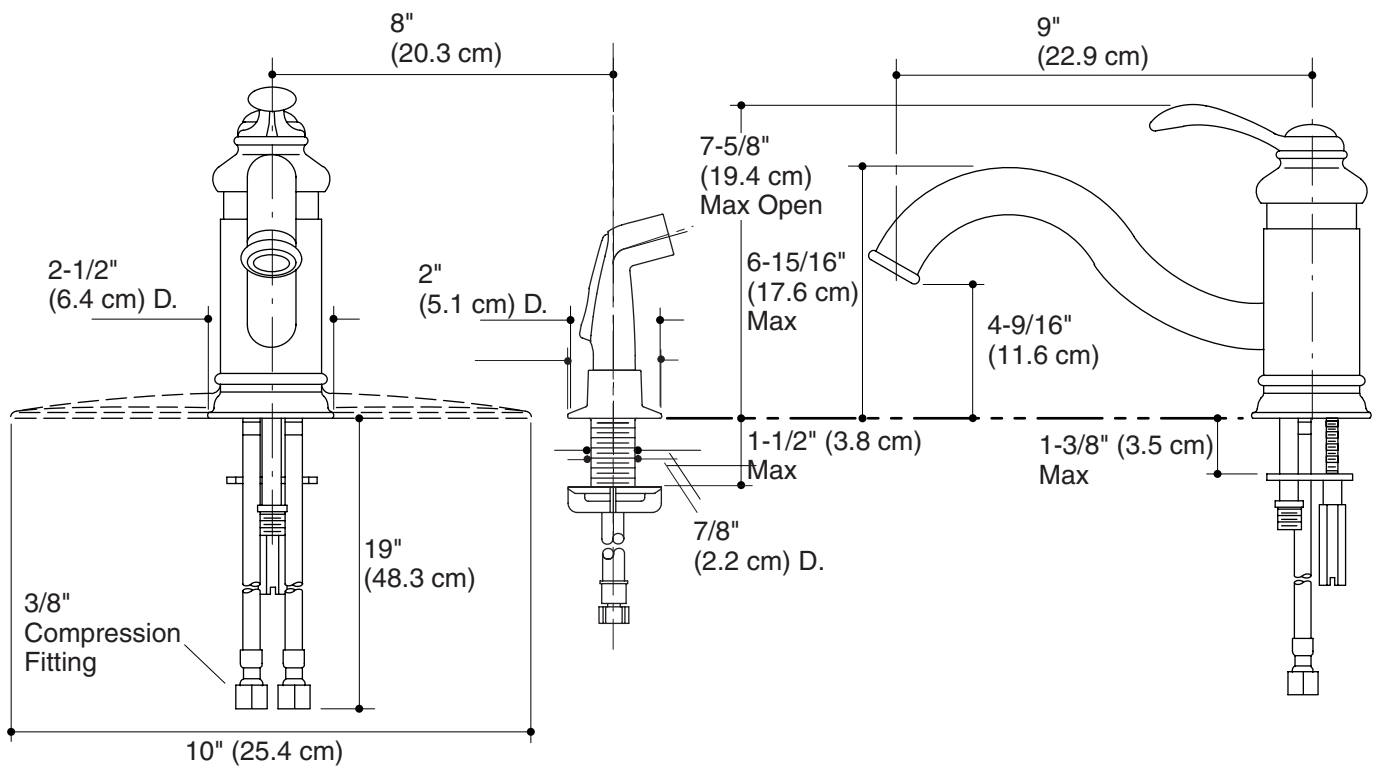
Product Specification

The single-control kitchen sink faucet shall be of metal construction. Product shall have a maximum flow rate of 2.2 gallons (8.3 L) per minute with lower flow aerator options available (refer to the Kohler Price Book). Product shall feature a one-piece, self-contained ceramic disc valve, which allows both volume and temperature control. Product shall feature temperature memory, allowing the faucet to be turned on and off at any temperature setting. Product shall feature a high-temperature limit setting, allowing the faucet to be turned on and off at any temperature setting. Product shall feature a 9" (22.9 cm) swing spout reach, flexible connections for easy installation, and an ADA compliant lever handle. Product shall be available with or without a matching finish sidespray. Faucet shall be Kohler Model K-____-____.

FAIRFAX®

Installation Notes

Install this faucet following the installation instructions provided.



Product Diagram