

Installation of the Transport Wheel Bracket on the Allegro® Reformer Frame

PARTS LIST (INCLUDED IN ACCESSORIES BOX):

ITEM	PART NO.	QTY
5/32" Allen wrench	GEN9282	1
1/4"-20 Button head screw	GEN9472	2
Split washer	GEN9054	2
Transport bracket preinstalled with wheel	618-008	2

1. Remove the 1/4"-20 button head screw and the split washer attached to the last hole in the frame towards the footend of the reformer as shown in Figure A using the 5/32 Allen key. Slide the preassembled transport bracket into the channel in the rail at the foot end of the reformer. Line up the hole in the transport bracket with the hole in the frame rail. Use the 1/4"-20 button head screw and the split washer to attach the transport bracket on to the frame using the 5/32 Allen key. See Figure A for reference. Note: The wheel goes on the inside of the bracket (towards the frame) when it is mounted.

2. Repeat Step 1 for the other side of the reformer.

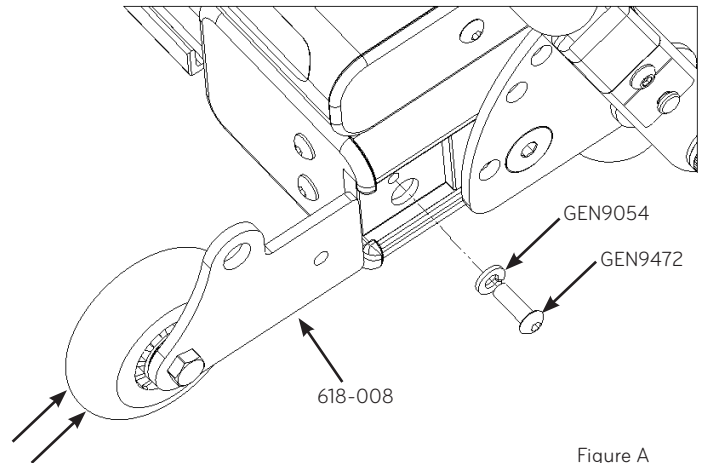


Figure A